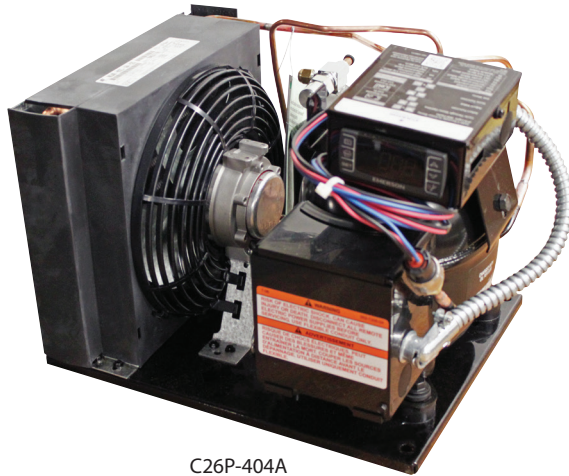




CONDENSING UNITS FOR REMOTE CABINETS



C26P-404A

JOB	
AREA	
ITEM NO.	
MODEL NO.	

MODELS
C26P-404A
C27P-404A

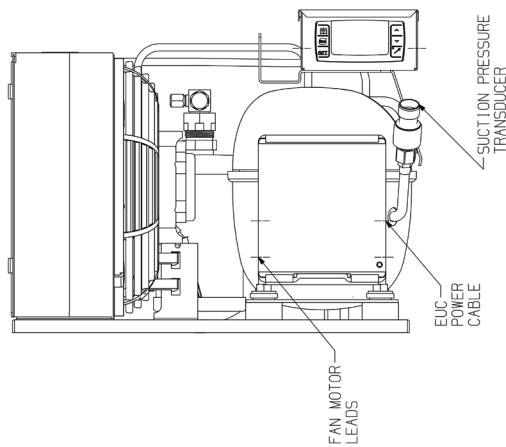
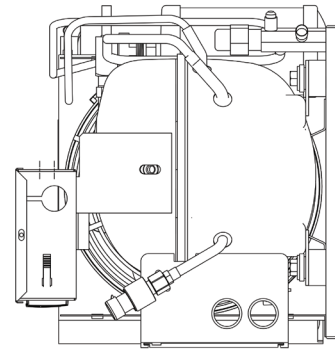
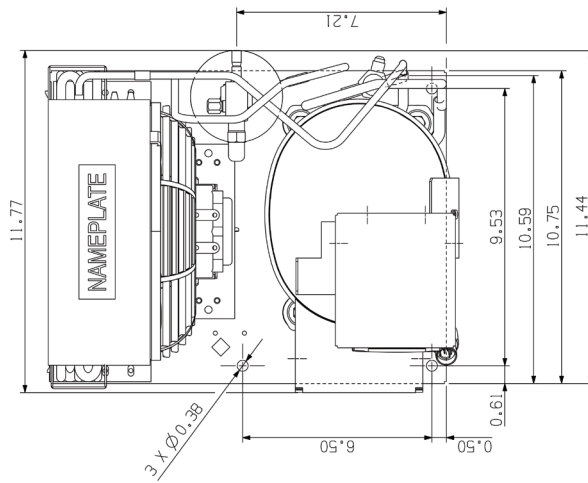
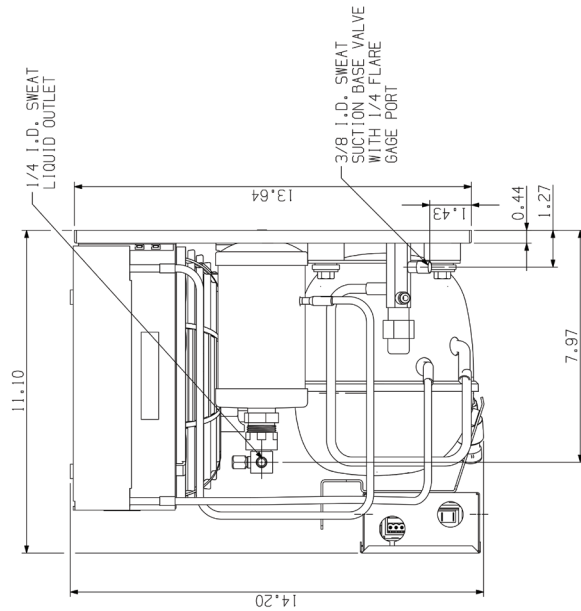
MODEL NOS.		C26P-404A	C27P-404A
DIMENSIONS: EXTERIOR (mm)	Length	14½" (368)	16¼" (413)
	Width	11¾" (299)	13⅝" (334)
	Height	11⅞" (283)	11⅜" (300)
	Weight (lbs)	43	51
ELECTRICAL	Supply	115 VAC/60 Hz/1 Ph	115 VAC/60 Hz/1 Ph
	Max. Fuse Size (Amps)	15	15
	Running Load (Amp)	4.8	6.2
	Connection	Hard Wired	Hard Wired
	Horsepower	1/4	1/3
REFRIGERATION	Refrigerant	R-404A	R-404A
	Liquid Connection (in)	1/4 I.D. Sweat	1/4 I.D. Sweat
	Suction Connection (in)	3/8 I.D. Sweat	3/8 I.D. Sweat
GENERAL	Application	Indoor	Indoor
	Condensor Type	Air	Air
	Maximum cooling capacity in number of Perlick refrigerated backbar doors.	2	4
	Heat Rejection (Btu/Hr)	1990 @ 20°F	2820 @ 20°F
	Air Flow (CFM)	201	300
	Oil Type / Charge	POE / 12 Oz.	POE / 12 oz.

NOTE: Liquid and suction lines, refrigerant, solenoids, and electrical provided by others. System to be engineered and installed to sight conditions and local code by others.



CONDENSING UNITS FOR REMOTE CABINETS

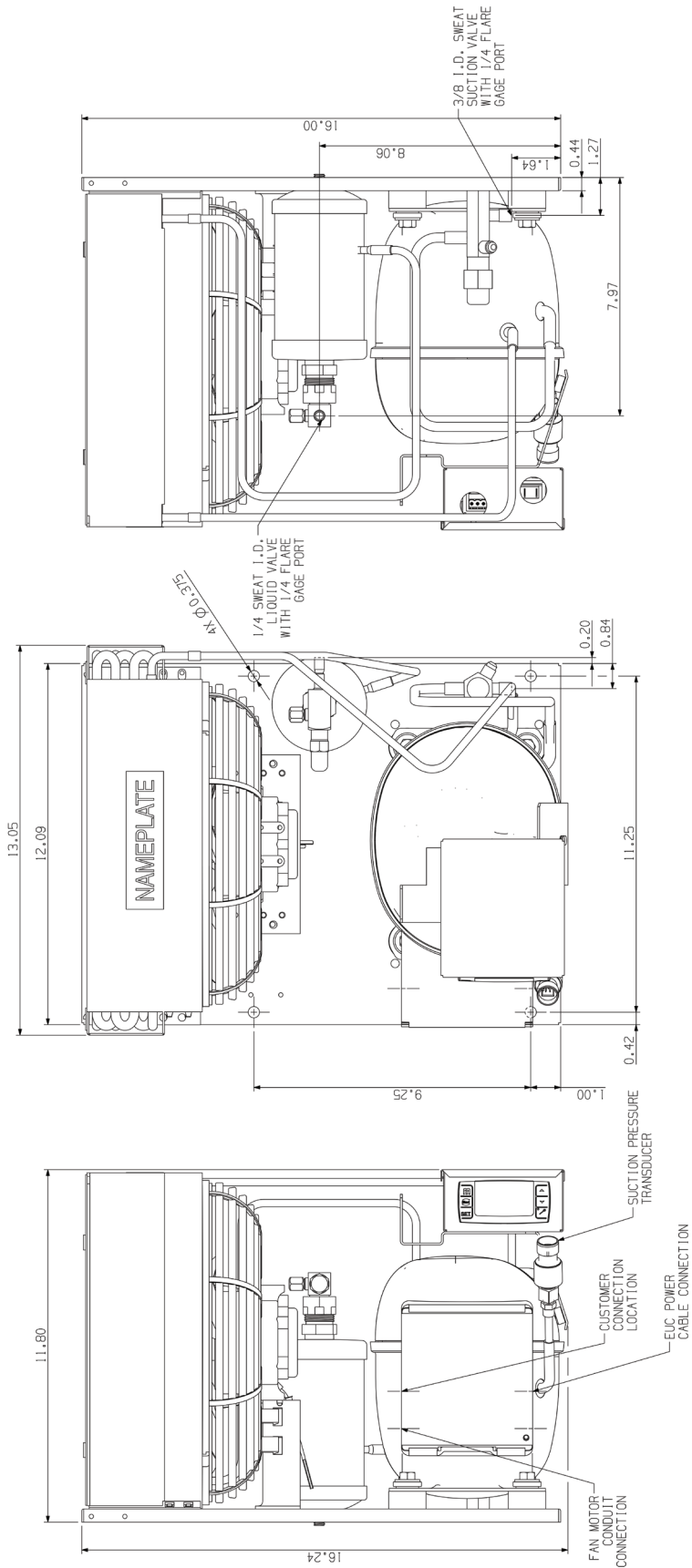
C26P-404A





CONDENSING UNITS FOR REMOTE CABINETS

C27P-404A



Form No.Z2610
 Rev. 04.20.23