



**15" CUBELET ICE MAKERS**  
Indoor/Outdoor



JOB	
AREA	
ITEM NO.	
MODEL NO.	



**H80CIMS-R**

Stainless Steel Door Model  
Hinged right



**H80CIMS-ADL**

Stainless Steel Door Model  
Hinged left

**SIGNATURE SERIES MODELS**

MODELS	DESCRIPTION
<b>H80CIMS-L</b>	Solid stainless steel door, hinged left
<b>H80CIMS-R</b>	Solid stainless steel door, hinged right
<b>H80CIMW*</b>	Panel ready door, hinged left or right

**ADA-HEIGHT COMPLIANT MODELS**

MODELS	DESCRIPTION
<b>H80CIMS-ADL</b>	Solid stainless steel door, hinged left
<b>H80CIMS-ADR</b>	Solid stainless steel door, hinged right
<b>H80CIMW-AD*</b>	Panel ready door, hinged left or right

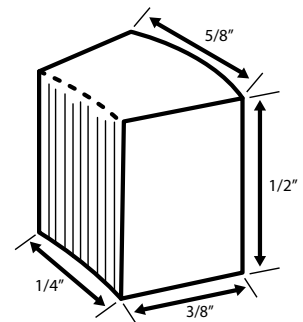
\* This unit comes ready to accept customer-provided overlay panel and handle

**KEY PRODUCT FEATURES AND BENEFITS**

- Produces soft, chewable, nugget-shaped ice that absorbs the flavors of beverages and is fun to crunch
- Produces up to 80 lbs. of ice per day with a storage capacity of 22 lbs. ensures you always have fresh ice for gatherings of any size
- All stainless steel ice making surface allows easy cleaning and ensures fresh ice for the life of the machine
- ADA-height compliant models available for accessible and aging in place designs

**Quick Features:**

- Available with stainless steel or panel ready doors to match your design style – panel ready doors accept customer-supplied door overlay and handle
- UL-Approved for outdoor use
- Easily accessible power switch, quickly turn off machine prior to end of season
- Two drain options: Gravity drain or optional drain pump (63802A) ordered separately



**Cubelet Dimensions**

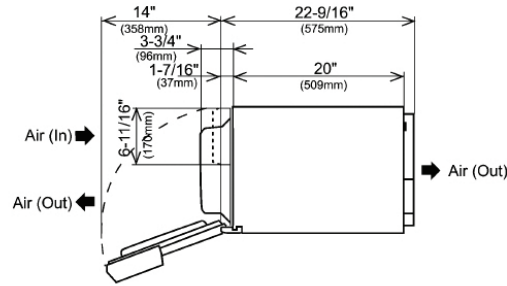


**15" CUBELET ICE MAKERS**  
Indoor/Outdoor

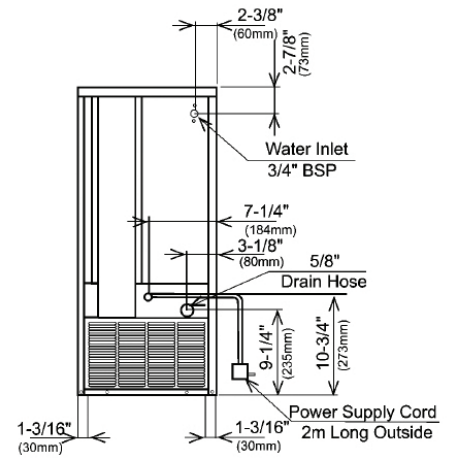
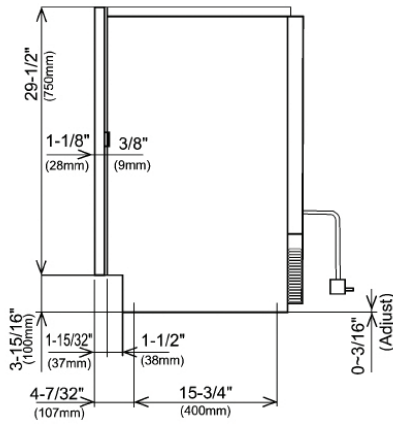
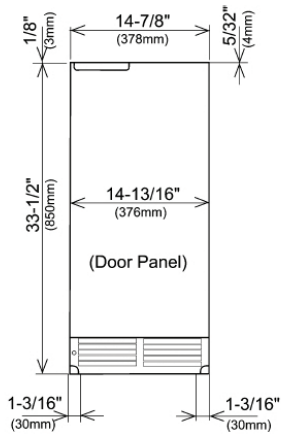
MODEL NUMBERS		H80CIMS (Signature Series)	H80CIMS-AD (ADA-Height Compliant Series)
OVERALL DIMENSIONS	Width - in. (mm)	14-7/8" (378mm)	14-7/8" (378mm)
	Depth - in. (mm)	22-9/16" (573 mm)	22-9/16" (573 mm)
	Height - in. (mm)	33-1/2" (851 mm)	31-1/2" (800 mm)
OPENING DIMENSIONS	Width - in. (mm)	15" (381 mm)	15" (381 mm)
	Depth - in. (mm)	24-7/8" (632 mm)	24-7/8" (632 mm)
	Height - in. (mm)	34-1/2"	32-1/4" (819 mm)
SHIPPING WEIGHT Lbs.		560 lbs	560 lbs
ELECTRICAL SPECIFICATIONS	Electrical Supply	115V/60 Hz/1 Ph	115V/60 Hz/1 Ph
	Running Load Amps	3.4 amps	3.4 amps
	Electrical Connection	Cord connected	15 amp dedicated circuit
	Cord Plug Type	NEMA 3 Prong 5-15P	NEMA 5-15 plug, 5'/3 prong grounding-type
	Cord length	6.5 ft	6.5 ft
REFRIGERATION SPECIFICATIONS	Refrigerant	R134a	R134a
	Plumbing	1/2" FTP water Inlet, 1/2" FTP Drain	1/2" FTP water Inlet, 1/2" FTP Drain
OPERATING LIMITS	Ambient Temp Range	45-100F	45-100F
	Water Temp Range	45-90F	45-90F
	Water Pressure	7-113 psig	7-113 psig
	Voltage Range	104-127V	104-127V



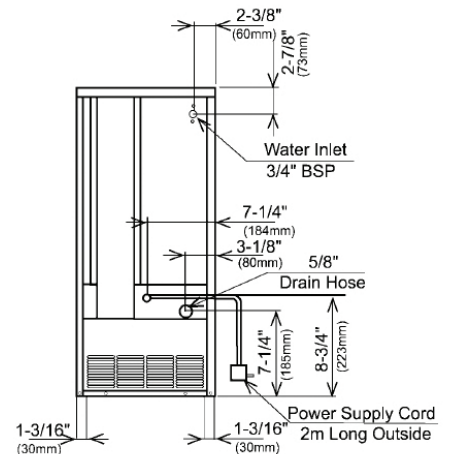
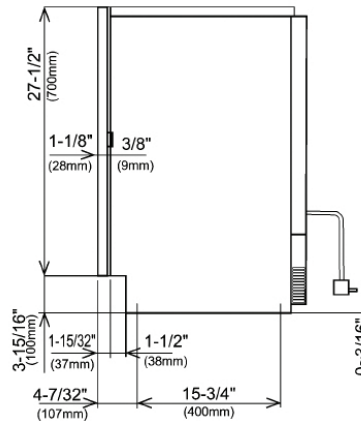
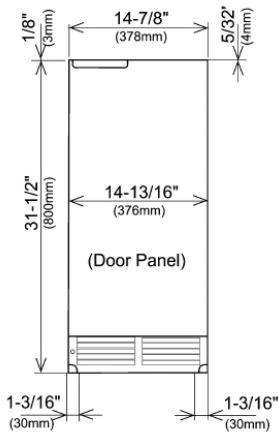
**15" CUBELET ICE MAKERS**  
Indoor/Outdoor



**Top View –  
Signature and ADA-Height Compliant Series  
Cubelet Ice Makers**



**Signature Series Front, Side and Back View**



**ADA-Height Compliant Series Front, Side and Back View**

California Prop 65 Notice:

**WARNING:** The materials used in this product may contain chemicals known to the State of California to cause cancer and birth defects or other reproductive harm. For more information go to [www.P65Warnings.ca.gov](http://www.P65Warnings.ca.gov).

Form No. Z2548  
Rev 11.22.2021