



UNDERBAR ICE CREAM CENTER
TS and TSD Series



JOB	
AREA	
ITEM NO.	
MODEL NO.	

MODELS	
TS SERIES	TSD SERIES
TS24DC-A	TSD24DC-A



TSD24DC-A
Shown with 8000B installed

KEY PRODUCT FEATURES AND BENEFITS

- All stainless exterior with reinforced top to support the freezer component
- Adjustable legs with rust free feet for easy installation and cleaning
- Fits one 3-gallon container of ice cream
- Attaches to other equipment and matches the aesthetic of the bar
- Multiple cabinet designs all fit the same freezer for various bar shape installs

Quick Features:

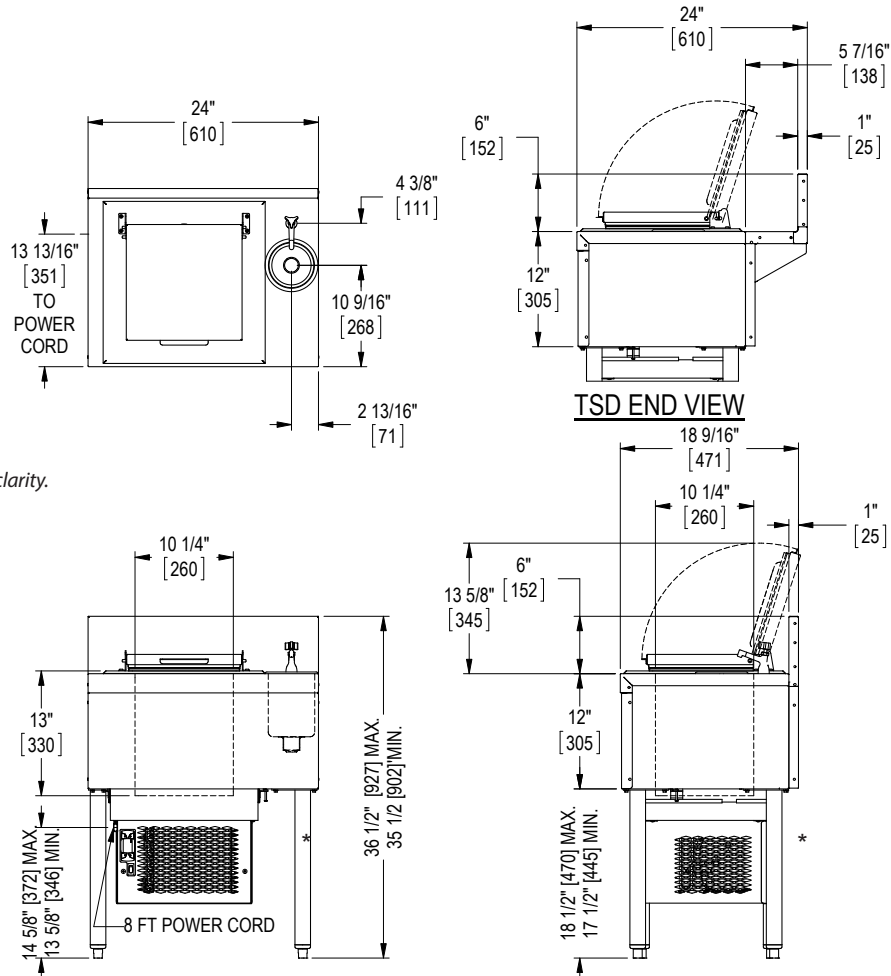
- Underbar cabinet to hold the refrigerated ice cream freezer (Part number 8000B)
- Stainless steel for extra corrosion resistance
- Includes a dipper well for ice cream tools
- The modular 2 piece design allows you to maintain the freezer unit without removing the whole cabinet off the die wall



UNDERBAR ICE CREAM CENTER
TS and TSD Series

MODEL NUMBERS - TS24DC-A, TSD24DC-A

MODEL NOS.		TS24DC-A	TSD24DC-A
DIMENSIONS: EXTERIOR (mm)	Length	24" (610)	24" (610)
	Width	18-9/16" (471)	24" (610)
	Ship Weight lbs.(kg)	42 (19)	
PERLICK BAR EQUIPMENT	Top, Front & Sides	Stainless steel	
	Back & Bottom	Galvanized steel	
	Backsplash	TS Series: Stainless steel 6" high (4" high optional) with 1" return at top, mechanically fastened and sealed with steel support brackets. TSD Series: Stainless steel rear deck.	
	Legs	1-5/8" tubular, stainless steel with 1" adjustable thermoplastic feet	
	Dish Well & Faucet	5" stainless steel dish well with removable perforated basket. Chrome-plated fine-stream faucet.	
	Drop-In Ice Cream Unit	Stainless steel top and removable hinged door lid. Ice cream well: No. 2B dull stainless steel. NSF listed. Must be ordered separately. Part Number: 8000B	
	ELECTRICAL	115 volt, 60 hz, 1 phase AC. Furnished with six foot rubber cord. Running load: .08 amp CE marked. Only in 115/60/1	
REFRIGERATION	1/5 h.p.		
PLUMBING	Drain-connection- 1" NPS Male. Cold Water connection: 1/2" IPS shank (includes 1/4" MPT tailpiece).		



*Drop-in Ice Cream Unit shown for clarity.
Must be ordered separately.
(Part number 8000B).