



**TOBIN ELLIS SIGNATURE SERIES BARTENDER STATION**  
*Featuring the industry's first bartenders' cockpit*

Countertop not supplied by Perlick on all models.



**PTE68-A**

Shown with optional BBS36C  
 Note: See BBS36C spec sheet for additional information on Tobin Ellis Signature Series Front Facing Refrigeration Drawers

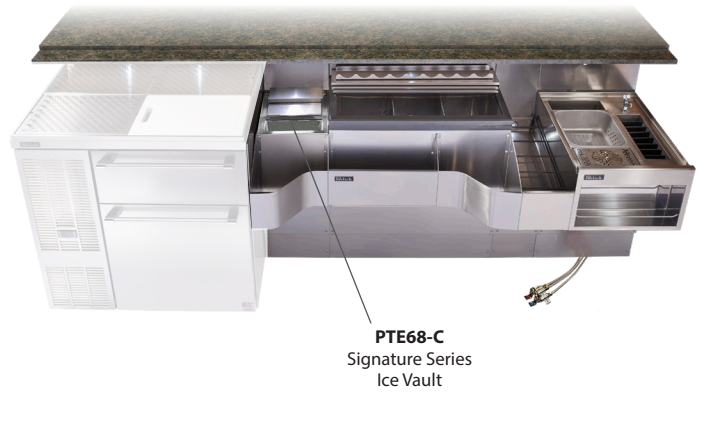
JOB	
AREA	
ITEM NO.	
MODEL NO.	

MODELS	
PTE68-A	68" Bartender Station
PTE68-B	68" Bartender Station with Soda Manifold
PTE68-C	68" Bartender Station with Ice Vault
PTE80-A	80" Bartender Station

Note: Countertop not included on all models.



**PTE68-B**  
 Bottle Well with Soda Manifold option



**PTE68-C**  
 Signature Series Ice Vault

**KEY PRODUCT FEATURES AND BENEFITS**

- Complete Tobin Ellis Signature Series Bartender Station packages available in two sizes – 68" (PTE68-A, PTE68-B, PTE68-C) or 80" (PTE80-A) to fit your bar design
- Insulated bottle well has capacity to hold (9) 750ml juice bottles or (6) 1-liter store-n-pours
- Sectioned ice bin includes standard 10-circuit cold plate with stainless dividers allowing for separated ice storage
- Each part number is a complete bartender station with accessories included for ease of ordering
- The complete bartender station can be configured into larger bar layout with ease and can be connected to other Perlick equipment

**Quick Features:**

- Perlick exclusive, curved speed rail design allows your bartender to be closer to their work counter and guests
- Slanted liquor step design with wire rack conveniently stores bottles for speedy access
- Prep sink and tool caddy consisting of main sink with integrated glass-rinser, sectional health code compliant tool caddy, foot operated faucet, and an optional built-in cubby for additional storage
- 3 bottle well options are available on the left: Signature Series bottle well, bottle well with soda manifold housing in the rear, and Perlick Signature Series Ice Vault designed by Tobin Ellis for craft ice storage and tempering



**TOBIN ELLIS SIGNATURE SERIES BARTENDER STATION**  
*Featuring the industry's first bartenders' cockpit*

MODEL NUMBERS - PTE68-A, PTE68-B, PTE68-C, PTE80-A

MODEL NOS.		PTE68-A	PTE68-B	PTE68-C	PTE80-A
DIMENSIONS: EXTERIOR (mm)	Overall Length	68"	68"	68"	80"
	Unit Depth	27-5/8" front to back			
	Unit Height	36" free standing, 40-3/8" on modbar	40" free standing, 40-3/8" on modbar	36" free standing, 40-3/8" on modbar	36" free standing, 40-3/8" on modbar
	Mounting	Available as freestanding or on a Perlick Modbar			
	Ice Capacity lbs. (kg)	90 (40.8)			
	Liquor Bottle capacity (750ml)	39	36	31	46
	Shipping Dimensions	68" X 30" X 35"	68" X 30" X 35"	68" X 30" X 35"	80" X 30" X 35"
	Shipping weight	450 lbs	450 lbs	485 lbs	520 lbs
COMPONENT MODEL NUMBERS	Bottle Well Unit	Standard bottle well (TSC12IBW)	Bottle well with soda manifold (TSC12IBW-MH)	Ice vault in place of bottle well (ISC-12)	Extra deep bottle well and standard bottle well w/ manifold housing (TSCE12IBW & TSC12IBW-MH)
	Ice Bin Size	30" (TSC30IC10)			
	Liquor Step	8" slanted (TSCE8SSR)	8" slanted (TSCE8SSR)	8" slanted (TSCE8SSR)	8" slanted w/blender platform (TSCE8SSR-BP)
	Prep Sink	18" sink / glass rinser / tool caddy / and recessed front cubby (TSCE18PSTC-RC)			
	Accessories included	Ice bin cover (ICC-C30), Bin divider (2) (ICC-TSC), Bottle tray (Cap. 9) (ICBT-9), Perlick Exclusive curved speed rail set (SRC-CL/SRC-S18/SRC-CR), Splash mounted gooseneck faucet and foot pedal (67419-GN-LF & 67420-2-LF), Stainless steel wet waste basket (7055-47)			
	Certifications	Model numbers used in these pre-configured cocktail stations are NSF listed			
SPECIFICATIONS	Materials	Stainless steel, ABS top rim on ice chests			
	Drain Sizes	1/2" NPS Drain - Bottle Wells 1/2" - 14 NPSM Male Drain - Ice Chests 1-1/2" NPS Drain - Prep Sink 1-1/2" NPS Drain - Tool Caddy			
	Cold Plate	10 Circuit cast aluminum cold plate on all models, accepts standard 1/4" ID beverage tubing			
	Ice Vault	R290 refrigerant – 30 grams, 1/10th HP, 115 volt, 60 Hz, 1 Amp, 1 Phase AC, furnished with 8ft power cord			
	Back Splash	6" height and 1" return on top			
	Faucet	Single hole, backsplash mounted, used with Perlick foot pedal, 1/2" IPS hot and cold connections			
	Dipperwell faucet	1/2" IPS W/51-9 Nut and tail piece			
	Glass Rinser	1/2" NPS for valve connection for 3/8" flexible hose - glass rinser			
	Legs	1-5/8" Tubular, stainless steel with 1" adjustable thermoplastic foot			
	Sink bowl	9-1/2" x 16-5/16" x 7-3/16" Deep, accomodates optional wet waste pan			

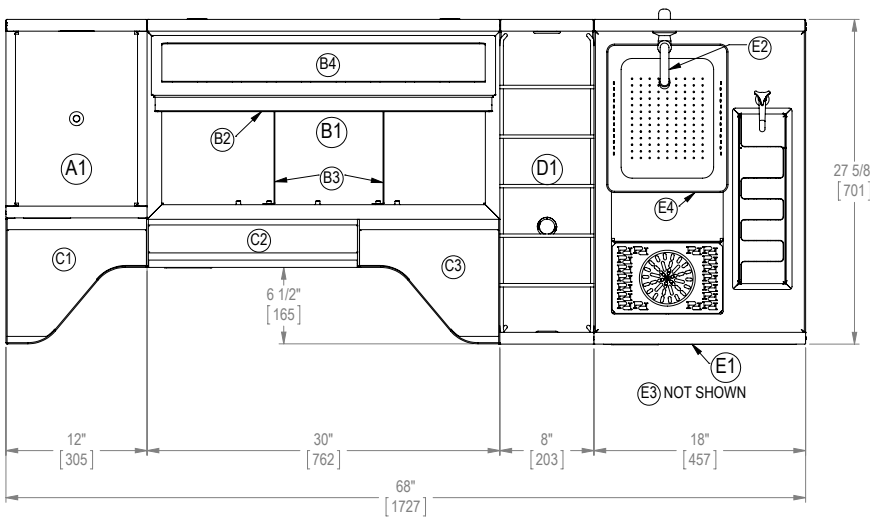


**TOBIN ELLIS SIGNATURE SERIES BARTENDER STATION**  
*Featuring the industry's first bartenders' cockpit*

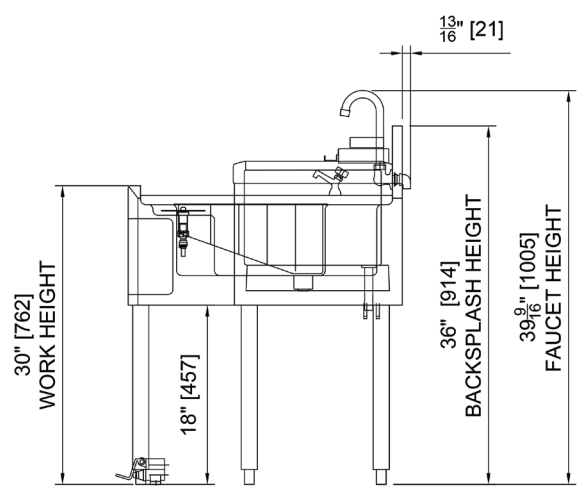
**PTE68-A**

**Included Equipment**

ITEM #	PART NO.	DESCRIPTION	QTY.
A1	TSC12IBW	Insulated Bottle Well, 12", (17" Depth)	1
B1	TSC30IC10	Ice Chest, w/10 Circuit Cold Plate, 30" (17" Depth)	1
B2	ICC-C30	Covers, 3 Piece, Sliding, 30"	1
B3	ICC-TSC	Ice Divider	2
B4	ICBT-9	Bottle Tray, 30", 9 Bottles	1
C1	SRC-CL	Speed Rail, Curved, Left End	1
C2	SRC-S18	Speed Rail, Single, 18"	1
C3	SRC-CR	Speed Rail, Curved, Right End	1
D1	TSCE8SSR	Slanted Speed Rack, 8" (27-1/2" Depth)	1
E1	TSCE18PSTC-RC	Utility Sink w/Glass Rinser & Tool Caddy, 18" w/Recessed Cubby (27-1/2" Depth)	1
E2	67419-GN-LF	Swing Spout, Goose Neck, Wall Mount	1
E3	67420-2-LF	Water Valve, Dual Pedal, Foot Operated, 1/2 NPT	1
E4	7055-47	Wet Waste Basket, Stainless Steel	1



**PTE68-A: Top View**



**PTE68-A: Right Side View**

**California Prop 65 Notice:**

**WARNING:** The materials used in this product may contain chemicals known to the State of California to cause cancer and birth defects or other reproductive harm. For more information go to [www.P65Warnings.ca.gov](http://www.P65Warnings.ca.gov).

Form No. Z2390  
 Rev. 02.06.24

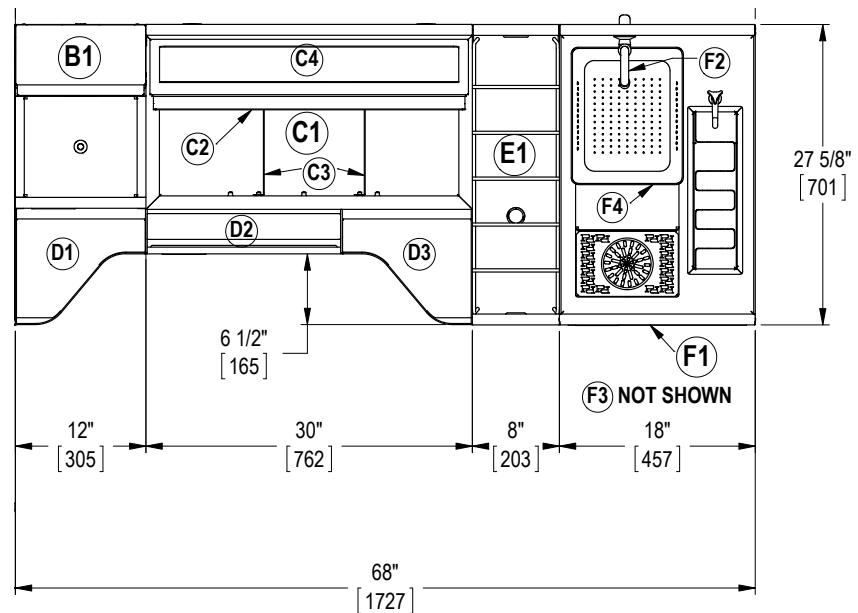


**TOBIN ELLIS SIGNATURE SERIES BARTENDER STATION**  
*Featuring the industry's first bartenders' cockpit*

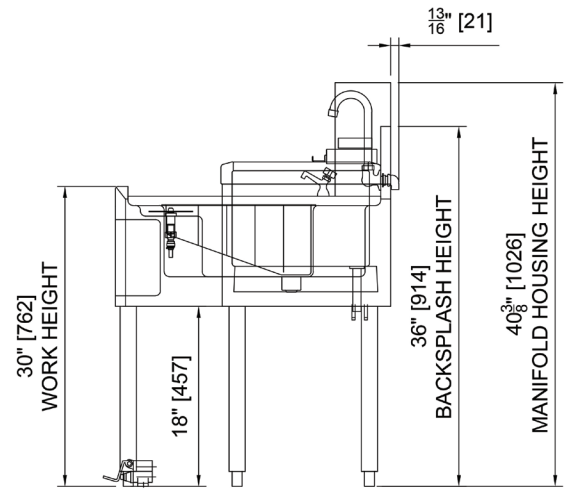
**PTE68-B**

**Included Equipment**

ITEM #	PART NO.	DESCRIPTION	QTY.
B1	TSC12IBW-MH	Insulated Bottle Well with Soda Gun, Manifold Housing, 12", (17" Depth)	1
C1	TSC30IC10	Ice Chest, w/10 Circuit Cold Plate, 30" (17" Depth)	1
C2	ICC-C30	Covers, 3 Piece, Sliding, 30"	1
C3	ICC-TSC	Ice Divider	2
C4	ICBT-9	Bottle Tray, 30", 9 Bottles	1
D1	SRC-CL	Speed Rail, Curved, Left End	1
D2	SRC-S18	Speed Rail, Single, 18"	1
D3	SRC-CR	Speed Rail, Curved, Right End	1
E1	TSCE8SSR	Slanted Speed Rack, 8" (27-1/2" Depth)	1
F1	TSCE18PSTC-RC	Utility Sink w/Glass Rinser & Tool Caddy, 18" w/Recessed Cubby (27-1/2" Depth)	1
F2	67419-GN-LF	Swing Spout, Goose Neck, Wall Mount	1
F3	67420-2-LF	Water Valve, Dual Pedal, Foot Operated, 1/2 NPT	1
F4	7055-47	Wet Waste Basket, Stainless Steel	1



**PTE68-B: Top View**



**PTE68-B: Right Side View**

**California Prop 65 Notice:**

**WARNING:** The materials used in this product may contain chemicals known to the State of California to cause cancer and birth defects or other reproductive harm. For more information go to [www.P65Warnings.ca.gov](http://www.P65Warnings.ca.gov).

Form No. Z2390  
 Rev. 02.06.24



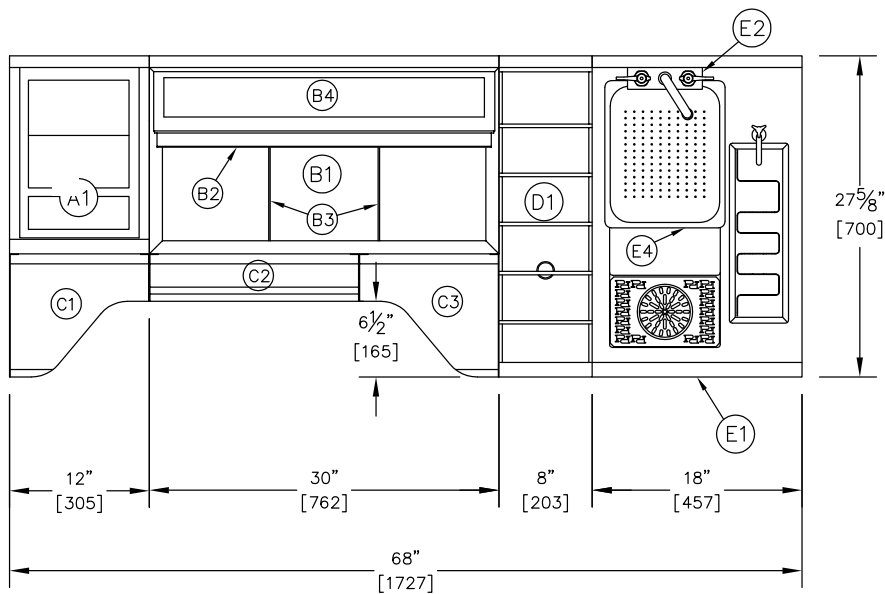
**TOBIN ELLIS SIGNATURE SERIES BARTENDER STATION**  
*Featuring the industry's first bartenders' cockpit*

MODEL NUMBERS - PTE68-A, PTE68-B, PTE68-C, PTE80-A

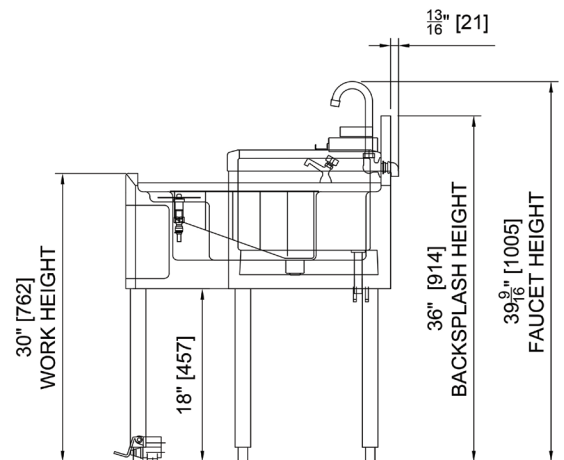
**PTE68-C**

**Included Equipment**

ITEM #	PART NO.	DESCRIPTION	QTY.
A1	ISC-12	Perlick Ice Vault™	1
B1	TSC30IC10	Ice Chest, w/10 Circuit Cold Plate, 30" (17" Depth)	1
B2	ICC-C30	Covers, 3 Piece, Sliding, 30"	1
B3	ICC-TSC	Ice Divider	2
B4	ICBT-9	Bottle Tray, 30", 9 Bottles	1
C1	SRC-CL	Speed Rail, Curved, Left End	1
C2	SRC-S18	Speed Rail, Single, 18"	1
C3	SRC-CR	Speed Rail, Curved, Right End	1
D1	TSCE8SSR	Slanted Speed Rack, 8" (27-1/2" Depth)	1
E1	TSCE18PSTC-RC	Utility Sink w/Glass Rinsers & Tool Caddy, 18" w/Recessed Cubby (27-1/2" Depth)	1
E2	67419-GN-LF	Swing Spout, Goose Neck, Wall Mount	1
E3	67420-2-LF	Water Valve, Dual Pedal, Foot Operated, 1/2 NPT	1
E4	7055-47	Wet Waste Basket, Stainless Steel	1



**PTE68-C: Top View**



**PTE68-C: Right Side View**

**California Prop 65 Notice:**

**WARNING:** The materials used in this product may contain chemicals known to the State of California to cause cancer and birth defects or other reproductive harm. For more information go to [www.P65Warnings.ca.gov](http://www.P65Warnings.ca.gov).

Form No. Z2390  
 Rev. 02.06.24

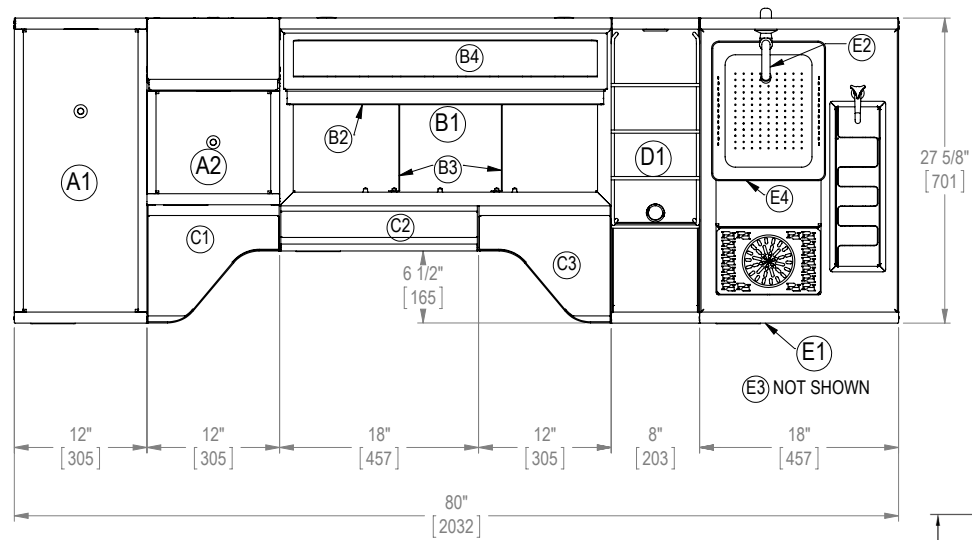


**TOBIN ELLIS SIGNATURE SERIES BARTENDER STATION**  
*Featuring the industry's first bartenders' cockpit*

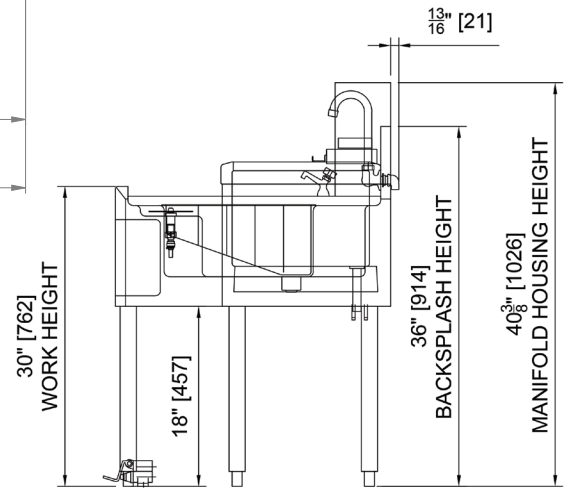
**PTE80-A**

**Included Equipment**

ITEM #	PART NO.	DESCRIPTION	QTY.
A1	TSCE12IBW	Insulated Bottle Well, 12", (27-1/2" Depth)	1
A2	TSC12IBW-MH	Insulated Bottle Well, w/Manifold Housing, 12" (17" Depth)	1
B1	TSC30IC10	Ice Chest, w/10 Circuit Cold Plate, 30" (17" Depth)	1
B2	ICC-C30	Covers, 3 Piece, Sliding, 30"	1
B3	ICC-TSC	Ice Divider	2
B4	ICBT-9	Bottle Tray, 30", 9 Bottles	1
C1	SRC-CL	Speed Rail, Curved, Left End	1
C2	SRC-S18	Speed Rail, Single, 18"	1
C3	SRC-CR	Speed Rail, Curved, Right End	1
D1	TSCE8SSR-BP	Slanted Speed Rack, 8" w/Blender Platform (27-1/2" Depth)	1
E1	TSCE18PSTC-RC	Utility Sink w/Glass Rinser & Tool Caddy, 18" w/Recessed Cubby (27-1/2" Depth)	1
E2	67419-GN-LF	Swing Spout, Goose Neck, Wall Mount	1
E3	67420-2-LF	Water Valve, Dual Pedal, Foot Operated, 1/2 NPT	1
E4	7055-47	Wet Waste Basket, Stainless Steel	1



**PTE80-A: Top View**



**PTE80-A: Right Side View**

**California Prop 65 Notice:**

**WARNING:** The materials used in this product may contain chemicals known to the State of California to cause cancer and birth defects or other reproductive harm. For more information go to [www.P65Warnings.ca.gov](http://www.P65Warnings.ca.gov).

Form No. Z2390  
 Rev. 02.06.24