



DRIP PANS

Top Mounted, Angled, Recessed, Cutout and Spacesaver

JOB	
AREA	
ITEM NO.	
MODEL NO.	



5020



C21379A

MODELS
Top-Mounted
Angled
Recessed
Cutout
Spacesaver



C18635A

KEY PRODUCT FEATURES AND BENEFITS

- Keep your bar clean and dry with Perlick drainers
- Liquid automatically flows out of the drainer ensuring a clean and hygienic bar space
- Removable glass rack makes it quick and easy to clean

Additional Features:

- Drip pans equipped with a four-inch, 1/2" O.D. drain socket and a removable glass rack
- All-stainless steel construction
- 1/2" O.D. drain socket
- Removable glass rack
- Stainless steel and tarnish free brass finishes

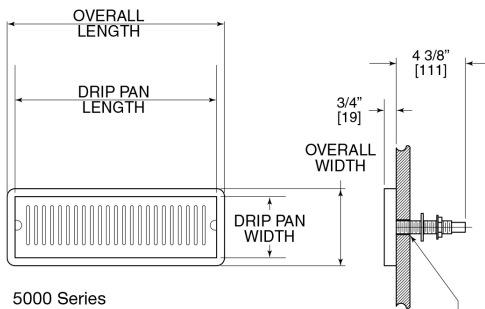


DRIP PANS
Top Mounted, Angled, Recessed, Cutout and Spacesaver

TOP MOUNTED

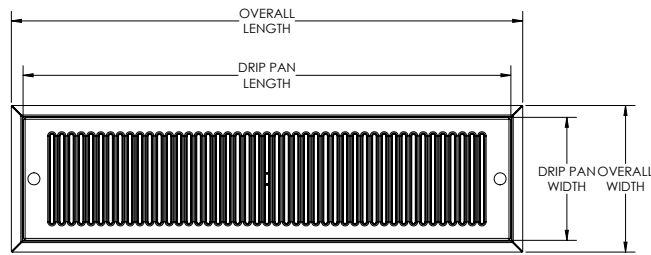
5000 SERIES MODEL NUMBERS	Stainless Steel	5015	5020	5025	5028	5030	5034	5036	5124	5130
	Tarnish-Free Brass	5015TF	5020TF	5025TF	5028TF	5030TF	N/A	N/A	N/A	N/A
OVERALL LENGTH (mm)		5-3/8" (137)	13-3/4" (349)	19" (483)	24" (610)	37" (940)	47-1/16" (1195)	59-7/8" (1521)	40-1/16" (1017)	48-5/8" (1235)
DRIP PAN LENGTH (mm)		4-3/8" (111)	12-3/4" (324)	18" (457)	23" (584)	36-1/8" (918)	46-3/16" (1173)	59" (1499)	39-3/16" (995)	47-3/4" (1213)
OVERALL WIDTH (mm)		5-3/8" (137)	4-7/8" (124)	4-7/8" (124)	4-7/8" (124)	4-7/8" (124)	4-15/16" (125)	4-15/16" (125)	7-7/16" (189)	7-7/16" (189)
DRIP PAN WIDTH (mm)		4-3/8" (111)	3-7/8" (98)	3-7/8" (98)	3-7/8" (98)	3-7/8" (98)	4-1/16" (103)	4-1/16" (103)	6-9/16" (166)	6-9/16" (166)
DRIP PAN and GLASS RACK	Stainless steel or tarnish-free brass						Stainless steel			
PLUMBING	Equipped with 9/16" I.D. waste drain and universal drain tubes. Use with 1/2" N.P.T. pipe fittings or 1390D 1/2" I.D. flexible drain tube.									

18000 SERIES MODEL NUMBERS	Stainless Steel	C18635A	C18640A	C18645A	C18650A	C18655	C18660	C18663	C18665	
	Tarnish-Free Brass	C18635ATF	C18640ATF	C18645ATF	C18650ATF	C18655TF	N/A	N/A	N/A	
OVERALL LENGTH (mm)		8-3/4" (222)	14-3/16" (360)	20-3/4" (527)	26-3/4" (679)	33" (838)	46-9/16" (1182)	52-7/16" (1332)	59-3/4" (1517)	
DRIP PAN LENGTH (mm)		7-7/16" (179)	12-7/8" (327)	19-7/16" (494)	25-1/2" (648)	31-3/4" (787)	45-5/16" (1151)	51-3/16" (1300)	58-1/2" (1486)	
OVERALL WIDTH (mm)		7-3/4" (197)	7-3/4" (197)	7-3/4" (197)	7-3/4" (197)	7-3/4" (197)	7-3/4" (197)	7-3/4" (197)	7-3/4" (197)	
DRIP PAN WIDTH (mm)		6-1/2" (165)	6-1/2" (165)	6-1/2" (165)	6-1/2" (165)	6-1/2" (165)	6-1/2" (165)	6-1/2" (165)	6-1/2" (165)	
DRIP PAN and GLASS RACK	Stainless steel or tarnish-free brass						Stainless steel			
PLUMBING	Equipped with 1/2" I.D. brass drain tube with 1/2" NPSM thread and machined end to accept 1/2" I.D. flexible drain tube.									

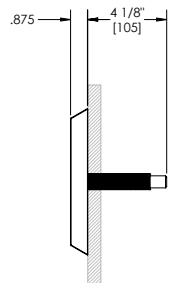


5000 Series

TO INSTALL DRIP PAN, DRILL 15/16" [24] DIA. HOLE THRU COUNTER TOP.



18000 SERIES

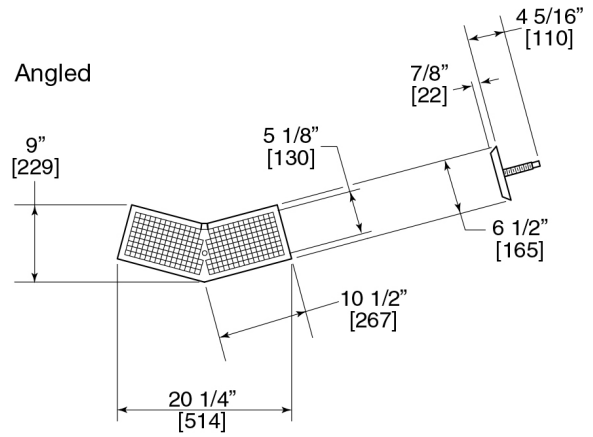




DRIP PANS
Top Mounted, Angled, Recessed, Cutout and Spacesaver

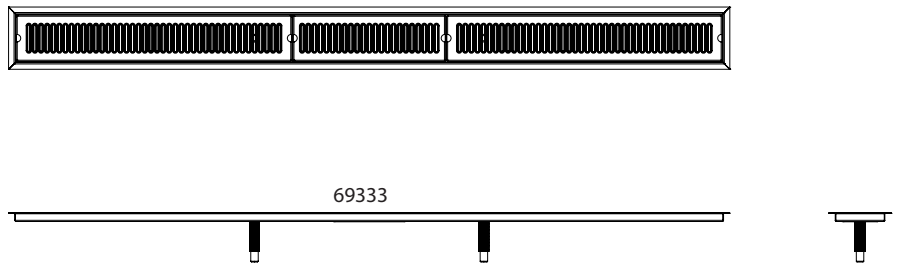
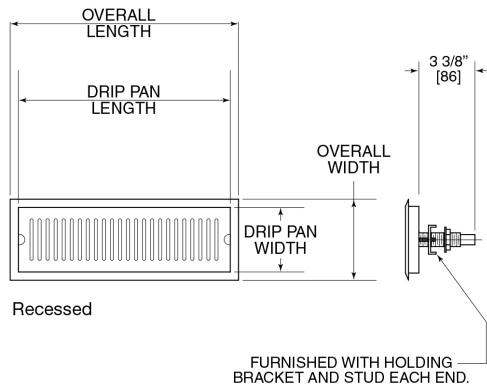
ANGLED

MODEL NUMBERS	Stainless Steel	57120
	Tarnish-Free Brass	57120TF
OVERALL LENGTH (mm)	20-1/4" (511)	
OVERALL WIDTH (mm)	9" (229)	
DRIP PAN and GLASS RACK	Stainless steel or tarnish-free brass. Plastic grid-style glass rack glass rack.	
PLUMBING	Equipped with 1/2" I.D. brass drain tube with 1/2" NPSM thread and machined end to accept 1/2" I.D. flexible drain tube.	



RECESSED

MODEL NUMBERS	Stainless Steel	C11988A	C21379A	C32257	C32357	58979	69324	69327	69330	69333
	Tarnish-Free Brass	C11988ATF	C21379ATF	C32257TF	C32357TF	58979TF				
OVERALL LENGTH (mm)	8-5/8" (219)	14-1/16" (357)	20-5/8" (524)	19-1/4" (488)	37-5/16" (948)	46-1/2" (1,181)	59-5/8" (1,514)	47-5/16" (1,202)	60-1/8" (1,527)	
DRIP PAN LENGTH (mm)	7-7/16" (179)	12-7/8" (327)	19-7/16" (494)	18" (457)	36-1/8" (918)	45-5/16" (1,151)	58-7/16" (1,459)	46-1/8" (1,172)	58-15/16" (1,497)	
OVERALL WIDTH (mm)	7-5/8" (194)	7-5/8" (194)	7-5/8" (194)	5-1/8" (130)	5-1/8" (130)	7-3/4" (197)	7-3/4" (197)	5-3/16" (132)	5-3/16" (132)	
DRIP PAN WIDTH (mm)	6-7/16" (164)	6-7/16" (164)	6-7/16" (164)	4" (102)	3-7/8" (98)	6-9/16" (167)	6-9/16" (167)	4" (102)	4" (102)	
DRIP PAN and GLASS RACK	No. 4 finish, type 302 stainless steel or tarnish-free brass.									
PLUMBING	Equipped with 1/2" I.D. brass drain tube with 1/2" NPSM thread and machined end to accept 1/2" I.D. flexible drain tube.									

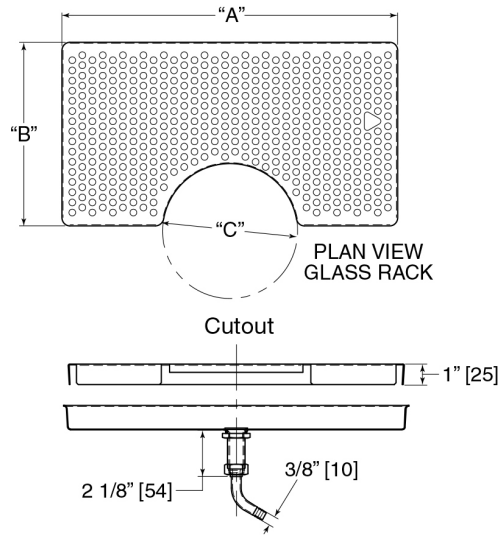




DRIP PANS
Top Mounted, Angled, Recessed, Cutout and Spacesaver

CUTOUT

MODEL NUMBERS	Stainless Steel	6230355	
	Tarnish-Free Brass		62304
DIMENSIONS "A" (mm)		14-1/16" (357)	20-3/4" (527)
DIMENSIONS "B" (mm)		12-7/8" (327)	19-7/16" (494)
DIMENSIONS "C" (mm)		7-5/8" (194)	5-1/8" (130)
DRIP PAN and GLASS RACK	Brass or stainless steel. Stainless steel glass rack.		
PLUMBING	Chrome plated brass drain and 3/8" elbow hose coupling.		



SPACESAVER DRIP PANS

MODEL NUMBERS	Stainless Steel	3713-1	3721-1
LENGTH (mm)		12-7/8" (327)	21-1/8" (537)
DEPTH (mm)		8-7/8" (225)	8-7/8" (225)
HEIGHT (mm)		14-3/4" (325)	14-3/4" (375)
DRIP PAN and GLASS RACK	Stainless steel.		
PLUMBING	Equipped with 1/2" I.D. brass drain tube with 1/2" NPSM thread and machined end to accept 1/2" I.D. flexible drain tube.		

