

**Perlick® UNDERBAR SINKS**  
Single Tank Hand Sinks



JOB	
AREA	
ITEM NO.	
MODEL NO.	

<b>MODELS</b>
<b>TS Series</b>
TS12HSN

**KEY PRODUCT FEATURES AND BENEFITS**

- Deep drawn stainless steel bowl for longevity of the equipment
- Combine with one of our Perlick commercial grade faucets\*
- Includes a large capacity soap dispenser for less refills
- Stainless steel legs install without tools and have rust free, adjustable feet
- Includes sound deadening pads for quiet operation

**Quick Features:**

- All stainless steel construction for durability
- Heavy duty sink bowl for long life
- Four faucet options available to fit your needs
- Includes soap dispenser and paper towel holder to satisfy local health codes

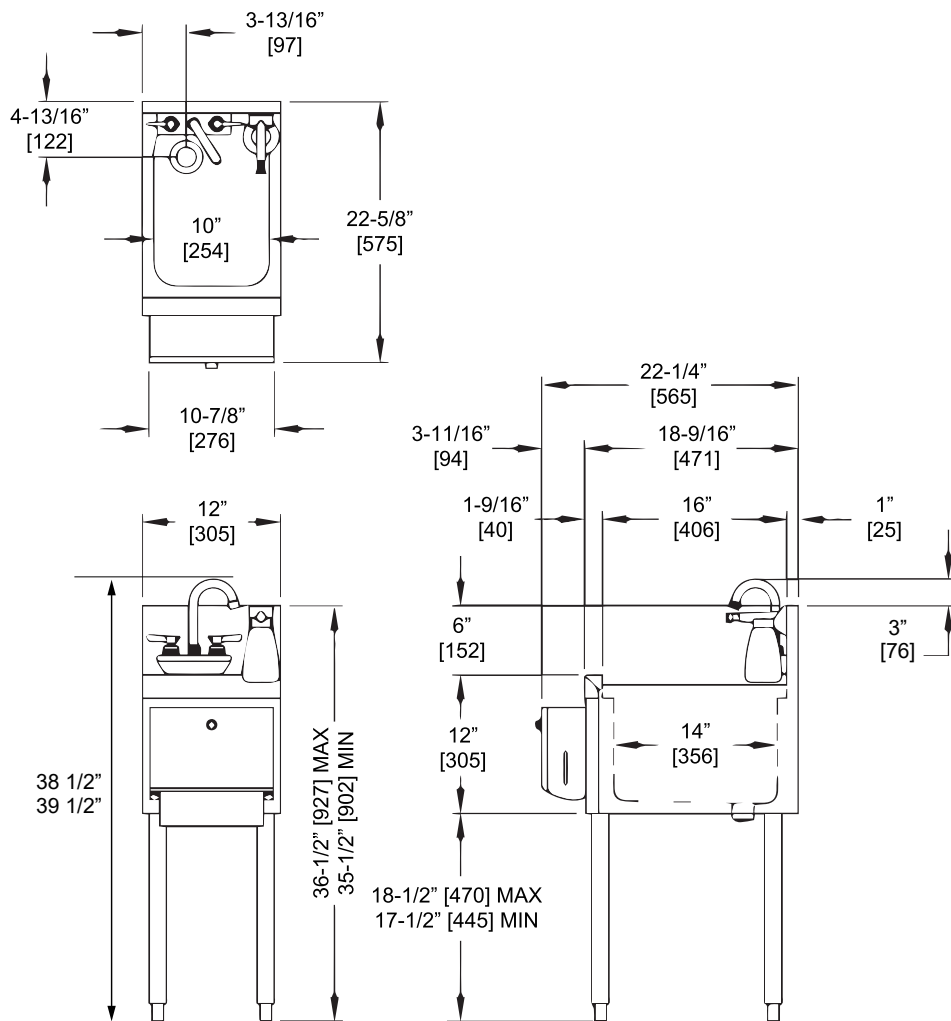
\*Faucets must be ordered separately.



## UNDERBAR SINKS

### Single Tank Hand Sinks

MODEL NOS.	TS12HSN	
<b>DIMENSIONS: EXTERIOR (mm)</b>	<b>Length</b>	12" (305)
	<b>Width</b>	22-5/8" (575)
	<b>Height</b>	36" freestanding <span style="float: right;">40-3/8" on modbar</span>
	<b>Weight, lbs. (kg)</b>	50 (23)
<b>MATERIALS</b>	<b>Top &amp; Sides</b>	Stainless steel
	<b>Back &amp; Bottom</b>	Stainless steel
	<b>Backsplash</b>	Stainless steel 6" high (4" high optional) with 1" return at the top, mechanically fastened and sealed to hand sink top with steel support brackets
	<b>Legs</b>	1-5/8" tubular, stainless steel with 1" adjustable thermoplastic feet
	<b>Bowl</b>	Stainless steel, 10"x14"x9-1/4" deep. All horizontal and vertical edges 1-1/2" radius with balled corners. Furnished with 1-1/2" stainless steel drain socket. 8-1/2" standpipe. Sound deadening underside.
	<b>Water Faucet</b>	Faucets are heavy duty construction, chrome plated, lead free, and have the leads attached for easy hook up. <b>4 faucet options are available and must be ordered separately.</b>
<b>PLUMBING</b>	<b>Drain Connection</b>	1-1/2" NPS male. Hot and cold water connection



**Faucet shown for clarity. Must be ordered separately.**

Form No. SK07  
Rev. 03.22.22