



UNDERBAR SINK
Single Tank Dump Sink



ASME A112.19.3/
CSA B45.4
NSF/ANSI 2



JOB	
AREA	
ITEM NO.	
MODEL NO.	

MODELS	
TS SERIES	TSD SERIES
TS12HS	TSD12HS

MODEL NUMBERS - TS12HS, TSD12HS

KEY PRODUCT FEATURES AND BENEFITS

- Deep drawn stainless steel bowl for longevity of the equipment
- Combine with one of our Perlick commercial grade faucets – sold separately
- Many accessories are available to customize to your needs
- Stainless steel legs install without tools and have rust free, adjustable feet
- Includes sound deadening pads for quiet operation

Quick Features:

- All stainless steel construction for durability
- Heavy duty sink bowl for long life
- Four faucet options available to fit your needs
- Many options available to configure the sink you need in your bar environment

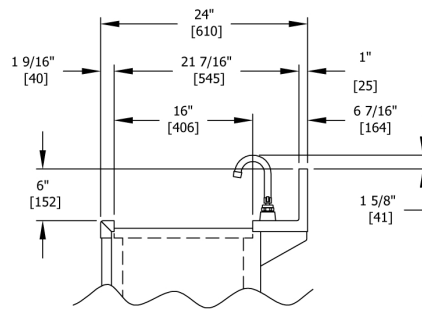
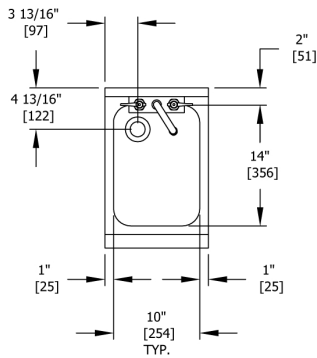
Form No. SK02
Rev. 03.22.22



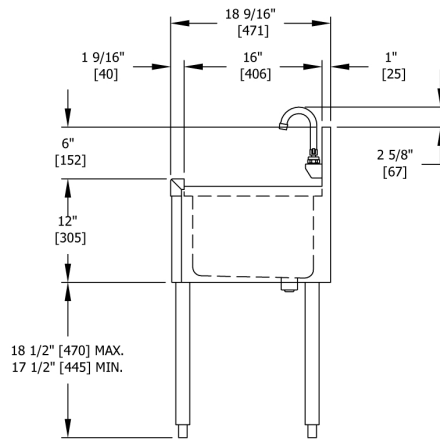
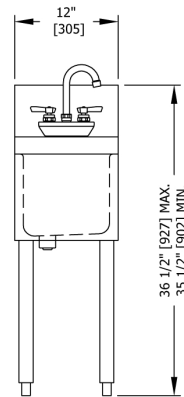
UNDERBAR SINK

Single Tank Dump Sink

MODEL NOS.	TS12HS	TSD12HS	
DIMENSIONS: EXTERIOR (mm)	Length	12" (305)	12" (305)
	Width	18-9/16" (471)	24" (610)
	Ship Weight lbs.(kg)	45 (20)	45 (20)
	Top & Sides	Stainless steel	
	Back & Bottom	Stainless steel	
	Backsplash	Stainless steel 6" high (4" high optional) with 1" return at the top, mechanically fastened and sealed to hand sink top with steel support brackets. TSD Series: Stainless steel rear deck.	
	Legs	1-5/8" tubular, stainless steel with 1" adjustable thermoplastic feet	
	Bowl	Stainless steel with sound deadening underside, 10" x 14" x 9-1/4" deep. All horizontal and vertical edges 1-1/2" radius with balled corners. Furnished with 1-1/2" stainless steel drain socket. 8-1/2" standpipe.	
	Water Faucet	Hot and cold, heavy-duty all brass construction, chrome plated swing spout faucet. Must be ordered separately. Lead-free faucet also available.	
PLUMBING	Drain Connection	1-1/2" NPS male. Hot and cold water connection, 3/8" copper supply tubes	1-1/2" NPS male. Hot and cold water connection, 1/2" IPS shanks and nuts



TSD END VIEW



TS END VIEW

Faucet shown for clarity. Must be ordered separately.