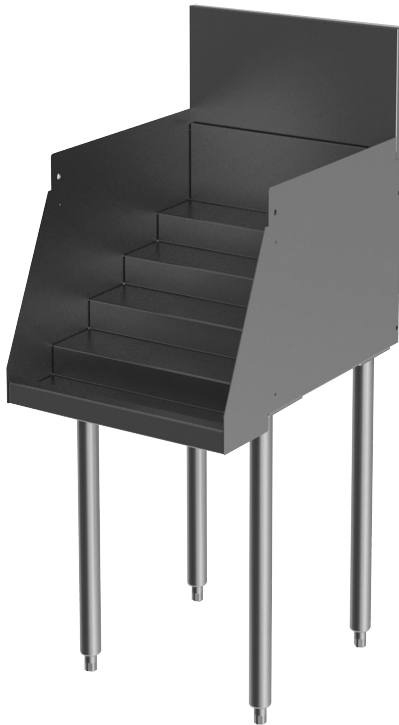




LIQUOR BOTTLE DISPLAY STEPS



TS12LS

JOB	
AREA	
ITEM NO.	
MODEL NO.	

MODELS
TS12LS
TS18LS
TS24LS
7055A3

MODEL NUMBERS - TS12LS, TS18LS, TS24LS, 7055A3

KEY PRODUCT FEATURES AND BENEFITS

- Open step design for easy cleaning and better view of the bottles
- Designed to store all your bottles below the bar top and maintain a usable height
- Optional bottle retainers hold bottles in place on each step
- Designed to match the speed rail design in the front
- Optional locking covers install easy and fit over bottles with pour spouts still attached

Quick Features:

- Steps are designed to hold various size bottles to accommodate each bartender's specific needs
- Optional guard rail is recommended and holds the bottle securely in place
- Solid step design holds any spills in place for easy clean up



LIQUOR BOTTLE DISPLAY STEPS

MODEL NUMBERS - TS12LS, TS18LS, TS24LS, 7055A3

MODEL NOS.	TS12LS	TS18LS	TS24LS	7055A3	
DIMENSIONS: Inches (mm)	Length	12" (305)	18" (457)	24" (610)	
	Ship Weight (lbs)	30 (14)	35 (16)	65 (30)	40 (18)
BOTTLE CAPACITY	15 Bottles	25 Bottles	30 Bottles	30 Bottles	
MATERIALS	General Parts	Stainless Steel			
	Backsplash	Stainless steel 6" high (4" high optional) with 1" return at top, mechanically fastened and sealed with steel support brackets.			
	Legs	Models TS 12LS, TS 18LS and TS 24LS: 15/8" tubular, stainless steel with 1" adjustable thermoplastic foot. Model 7055A3: 15/8" tubular, stainless steel with 1" adjustable stainless steel foot.			

