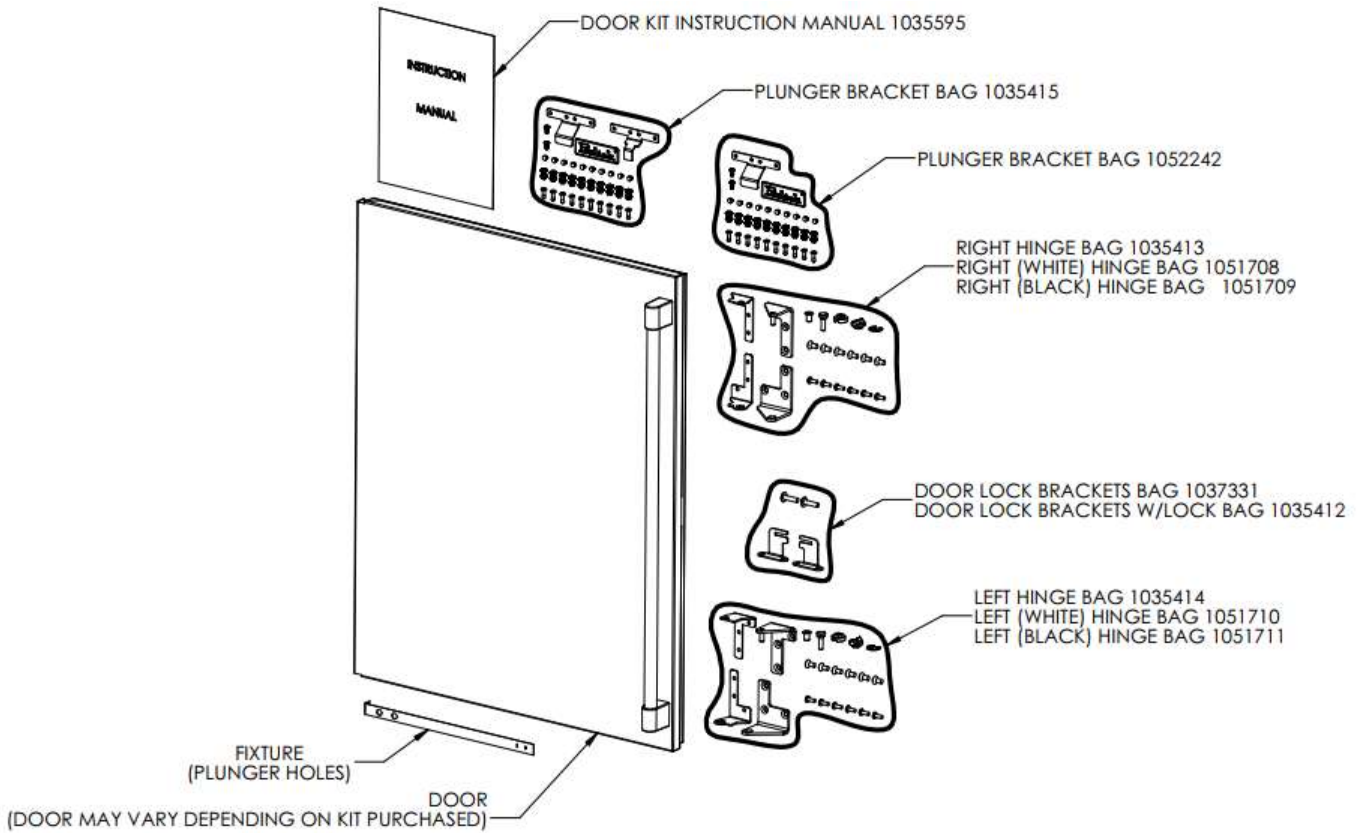


PART NUMBER	1035595
INSTRUCTION START DATE	01/20/2022
AFFECTED MODELS	HC24 , HA24, HP24, & HP15
KIT PART NUMBER(S)	1035432, 1035433, 1035434, 1035435, 24RDK-MB-G-BR, 24RDK-MB-S-BR, 24RDK-MW-G-BR & 24RDK-MW-S-BR
INSTRUCTION PURPOSE	WORK INSTRUCTIONS TO REPLACE UNDERCOUNTER DOORS



*Since 1917*

**EACH KIT MAY CONTAIN THE FOLLOWING:**



**TOOLS REQUIRED**

GLOVES

PHILLIPS HEAD SCREWDRIVER

5/32" DRILL BIT, DRILL BIT DRIVER

PLIERS, RUBBER Mallet

½ IN WRENCH, POINTED SCRIBE TOOL

## OPERATION 1: RELEASE DOOR FROM FRIDGE HINGE

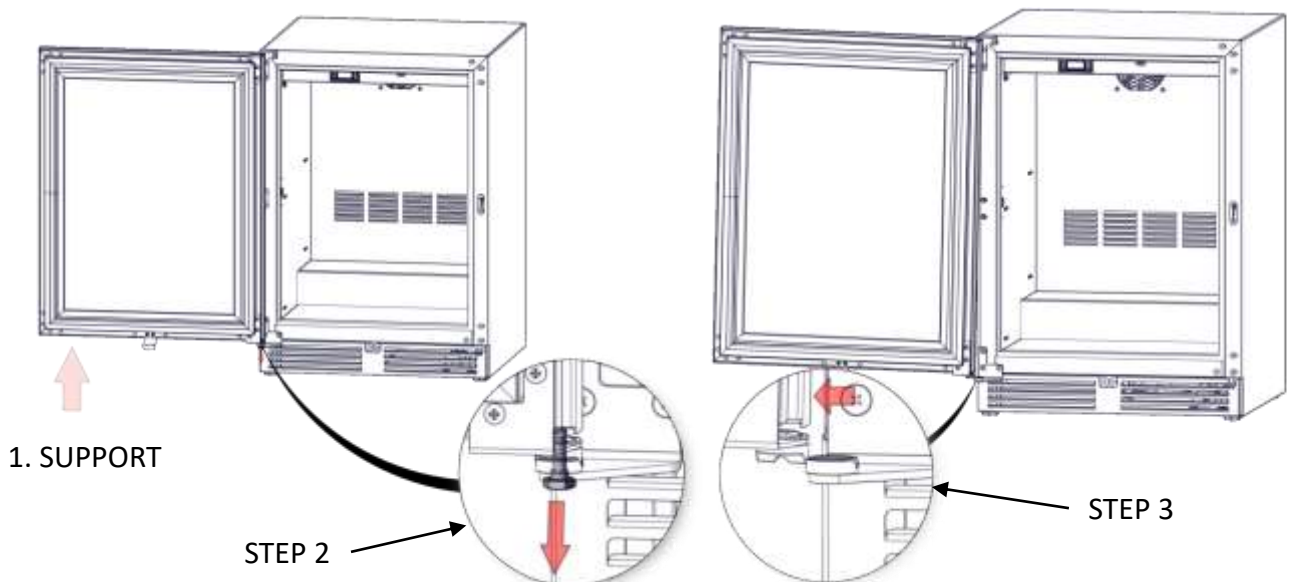
### IMPORTANT NOTES:

- THE EXAMPLES AND IMAGES PROVIDED THROUGHOUT THESE INSTALLATION INSTRUCTIONS REFLECT A USER REPLACING AN EXISTING LEFT HINGED DOOR. HOWEVER, THESE STEPS CAN STILL BE FOLLOWED IF CHANGING HINGING IN THE OPPOSITE DIRECTION.
- STEPS 2 THROUGH 5 ARE MARKED AS OPTIONAL AND CAN BE SKIPPED IF REPLACEMENT DOOR MAINTAINS SAME HINGE DIRECTION AS ORIGINAL DOOR, OR IF NOT ADDING NOR CHANGING DOOR LOCK DIRECTION.
- THE IMAGES SHOWN THROUGHOUT THESE INSTALLATION INSTRUCTIONS ARE FOR REFERENCE ONLY, AND THE APPEARANCE OF THE ACTUAL REPLACEMENT DOOR MAY DIFFER FROM WHAT IS SHOWN.



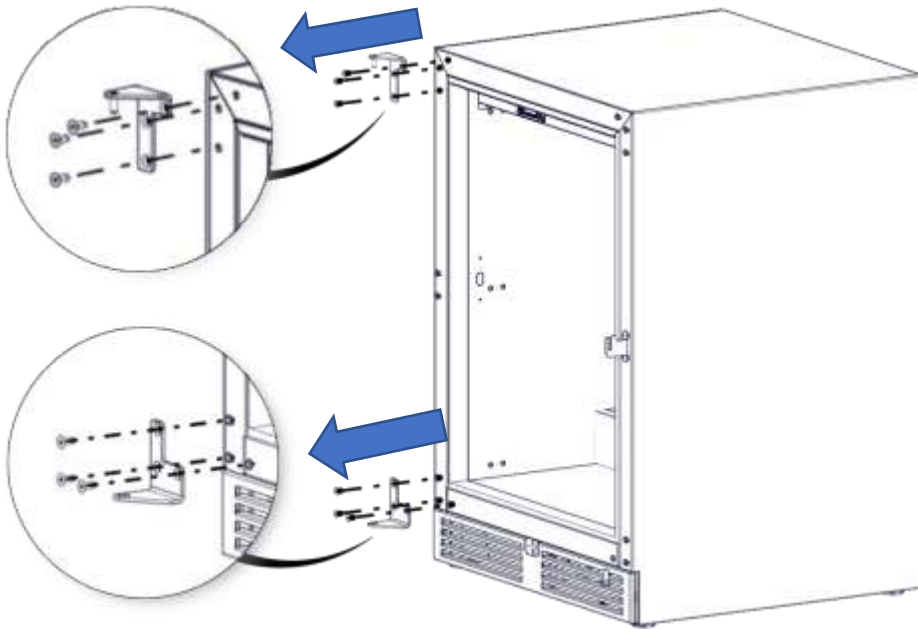
## OPERATION 1: RELEASE DOOR FROM HINGES

1. SUPPORT THE DOOR IN THE OPEN POSITION AS SHOWN.
2. UTILIZING A 1/2" WRENCH, REMOVE HINGE PIN FROM THE LOWER HINGE.
3. PULL DOOR TO THE SIDE, THEN LOWER DOOR TO RELEASE IT FROM THE TOP HINGE.



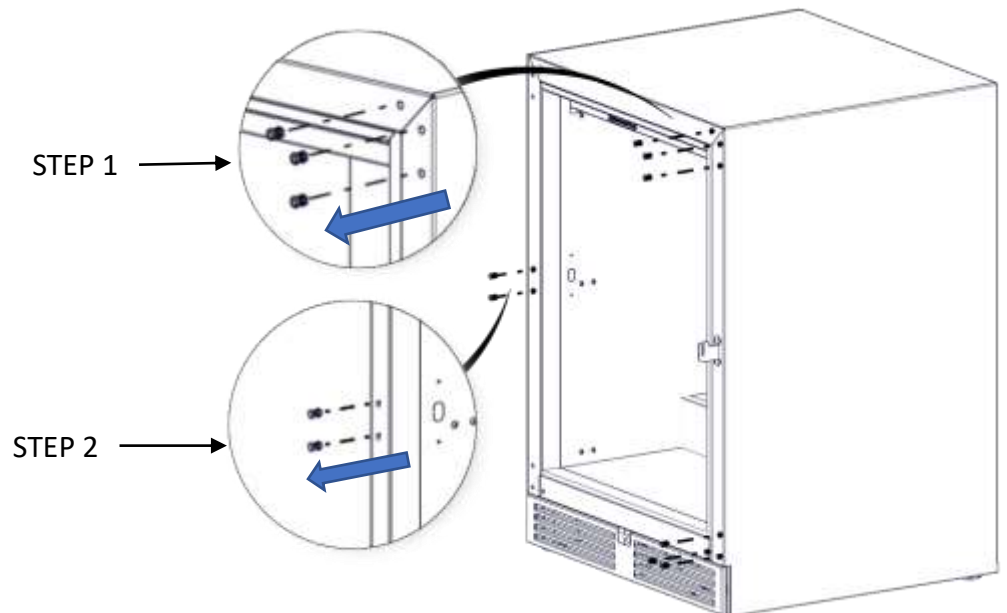
## OPERATION 2: HINGE REMOVAL (OPTIONAL IF REVERSING DOOR DIRECTION)

1. UTILIZING A PHILLIPS HEAD SCREWDRIVER, REMOVE TOP AND BOTTOM HINGE BRACKETS, 3 SCREWS ON EACH BRACKET (6 TOTAL).



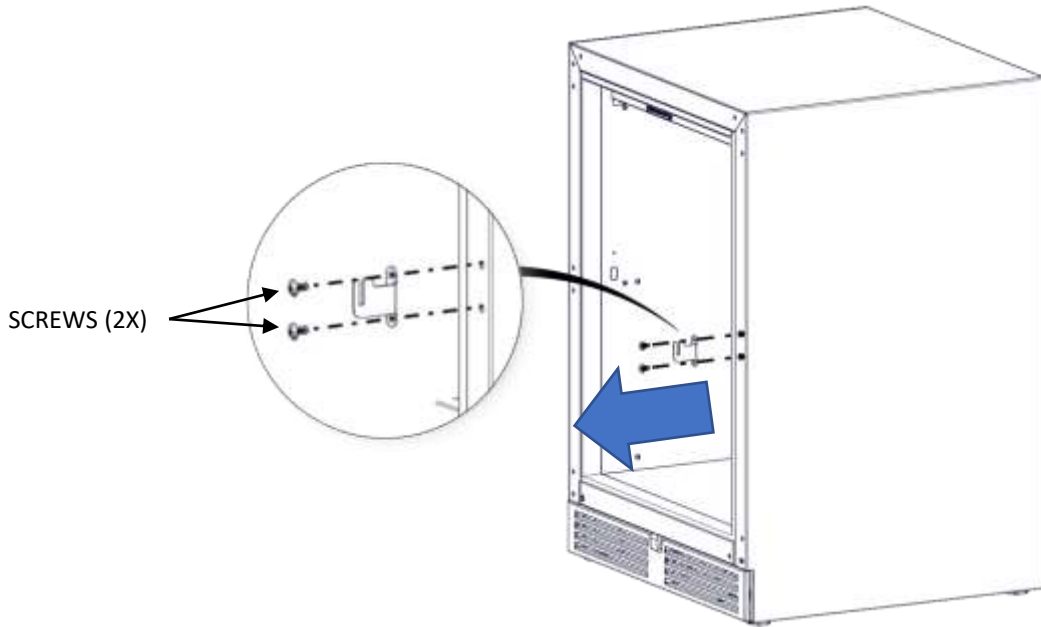
## OPERATION 3: HOLE PLUG REMOVAL (OPTIONAL IF REVERSING DOOR DIRECTION)

1. UTILIZING PLIERS, PULL OUT PLUGS FROM THE CABINET AS SHOWN (6 TOTAL) IN ORDER TO INSTALL THE NEW HINGE BRACKETS.
2. IF INSTALLING REPLACEMENT DOOR WITH LOCK, PULL OUT PLUGS FROM THE CABINET AS SHOWN (2 TOTAL) IN ORDER TO INSTALL THE NEW LOCK BRACKET.



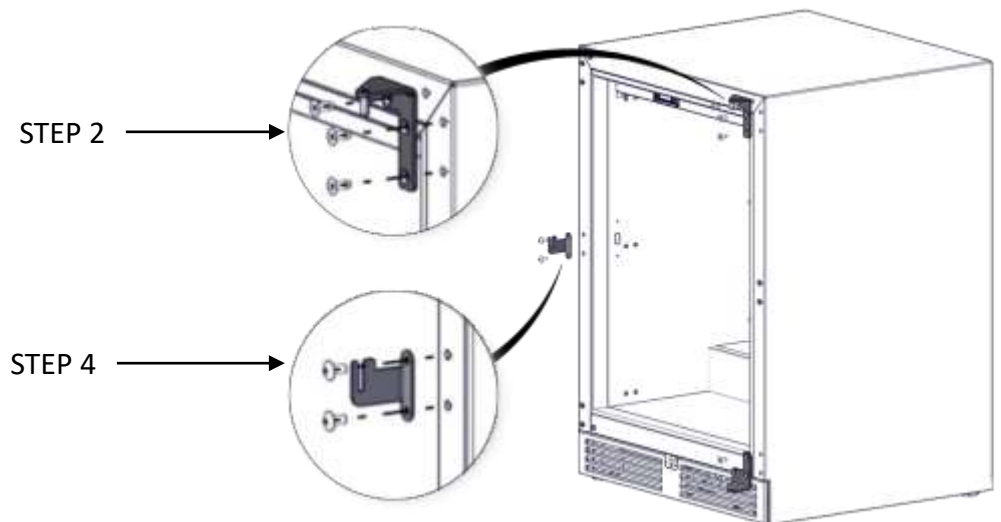
## OPERATION 4: LOCK LATCH REMOVAL (OPTIONAL IF REVERSING DOOR WITH LOCK)

1. UTILIZING A PHILLIPS HEAD SCREWDRIVER, REMOVE SCREWS (2 TOTAL), TO REMOVE LOCK LATCH.



## OPERATION 5: HINGE BRACKETS & LOCK LATCH INSTALLATION (OPTIONAL IF REVERSING DOOR)

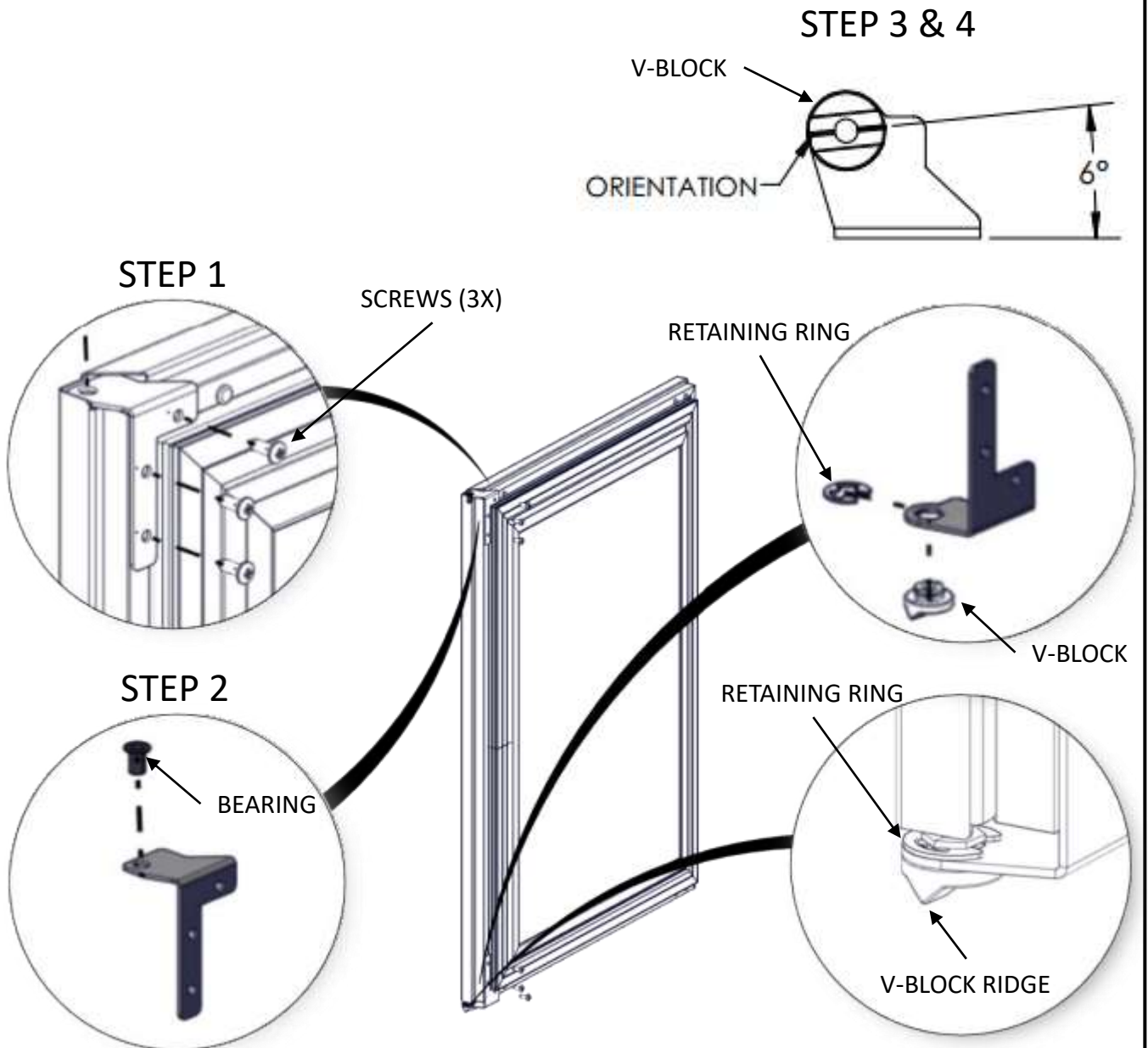
1. FIND THE CABINET HINGE BRACKETS AND HINGE SCREWS (6 TOTAL) IN THE BAG LABELED EITHER **1035413**, **1051708**, **1051709** OR **1035414**, **1051710**, **1051711** DEPENDING ON LEFT OR RIGHT HINGE INSTALLATION.
2. WITH A PHILLIPS HEAD SCREWDRIVER, FASTEN SCREWS (6 TOTAL), SECURING BRACKETS AGAINST UNIT.
3. FIND THE LOCK LATCH SCREWS IN BAG LABEL **1035412** OR **1037331** (2 TOTAL) IF INSTALLING DOOR WITH LOCK.
4. WITH A PHILLIPS HEAD SCREWDRIVER, FASTEN SCREWS (2 TOTAL), SECURING LOCK LATCH AGAINST UNIT.



## OPERATION 6: INSTALLING HINGE BRACKETS TO DOOR

FIND THE HINGE DOOR COMPONENTS IN THE BAG LABELED EITHER **1035413**, **1035414**, **1051708**, **1051709**, **1051710** OR **1051711**.

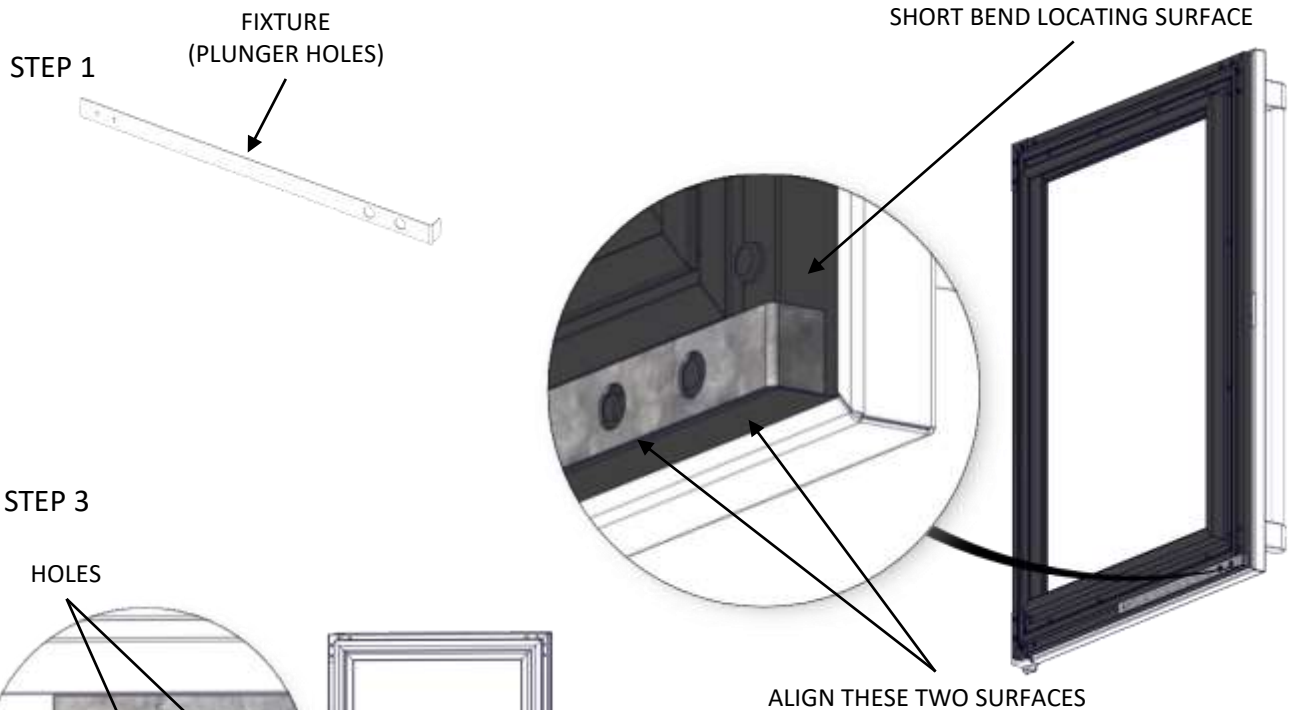
1. WITH A PHILLIPS HEAD SCREWDRIVER, FASTEN SCREWS (6 TOTAL), SECURING BRACKETS AGAINST DOOR.
2. INSERT BEARING INTO TOP HINGE BRACKET.
3. INSERT V-BLOCK THROUGH THE HEX ORIFICE INTO LOWER HINGE ORIENTED AS SHOWN IN DETAIL BELOW .
4. ONCE V-BLOCK IS IN THE HINGE BRACKET, INSERT RETAINING RING ONTO V-BLOCK GROOVE



## OPERATION 7: DRILLING PLUNGER BRACKET HOLES

1. USE FIXTURE INCLUDED IN REPLACEMENT DOOR KIT FOR LOCATING HOLES TO MOUNT THE DOOR PLUNGER BRACKET TO THE BOTTOM OF THE PLASTIC DOOR FRAME. THE BOTTOM SIDE OF THE DOOR WILL DEPEND ON IF INSTALLED AS LEFT OR RIGHT HINGE DOOR.
2. PLACE FIXTURE ON THE BOTTOM, INSIDE RIGID PLASTIC SURFACE OF THE DOOR FRAME. THE SHORT BEND IN THE FIXTURE SHOULD BE LOCATED ON THE OUTSIDE VERTICAL SURFACE OF THE DOOR FRAME THE HANDLE IS ON. NEXT, THE BOTTOM EDGE OF THE FIXTURE AND THE BOTTOM EDGE OF THE PLASTIC DOOR FRAME SHOULD BE ALIGNED.
3. THERE ARE TWO SETS OF HOLES IN THE FIXTURE FOR LOCATING PILOT HOLES DEPENDING ON RIGHT- OR LEFT-HAND DOOR INSTALLATIONS. USE THE SET OF SET HOLES THAT ARE LOCATED CLOSER TO THE OUTSIDE EDGE OF THE DOOR FRAME. UTILIZING A POINTED SCRIBE TOOL, SCRIBE PILOT HOLE POSITIONS THROUGH THE TWO HOLES IN THE FIXTURE.
4. ONCE TWO HOLES POSITIONS ARE SCRIBED ON DOOR ASSEMBLY, DRILL PILOT HOLES UTILIZING 5/32" DRILL BIT. WHEN DRILLING PILOT HOLES EXERCISE CAUTION NOT TO DRILL TOO FAR INTO THE DOOR FRAME. PILOT HOLES ONLY NEED TO PENETRATE APPROXIMATELY 1/8" DEEP THROUGH THE OUTER LAYER OF THE RIGID PLASTIC DOOR FRAME.

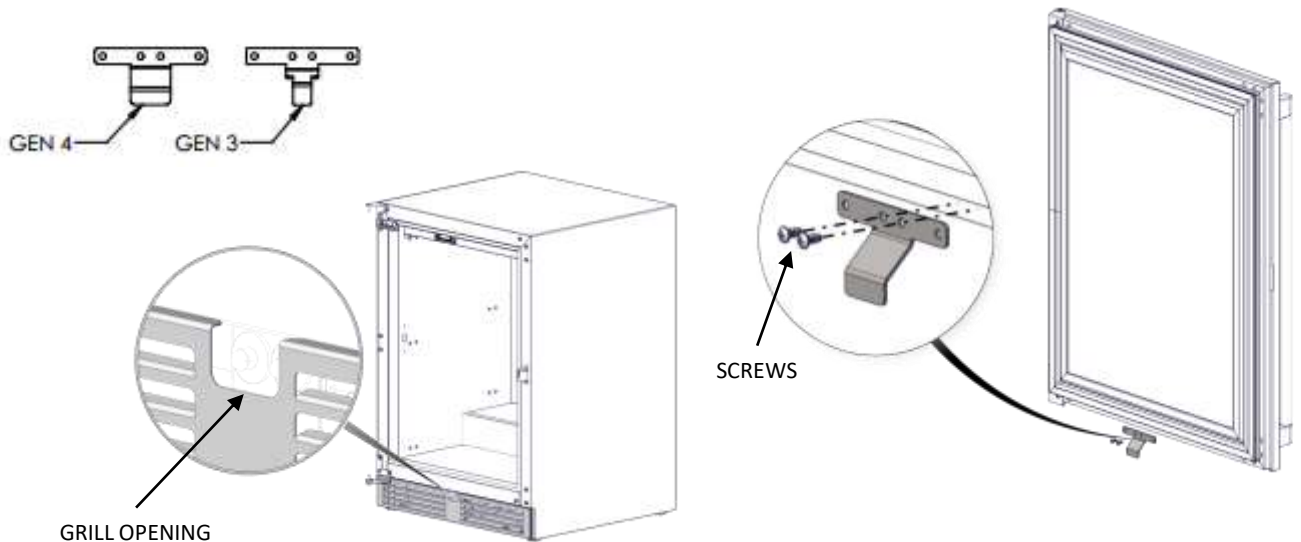
### STEP 2. FIXTURE LOCATION



## OPERATION 8: INSTALLING DOOR PLUNGER BRACKET

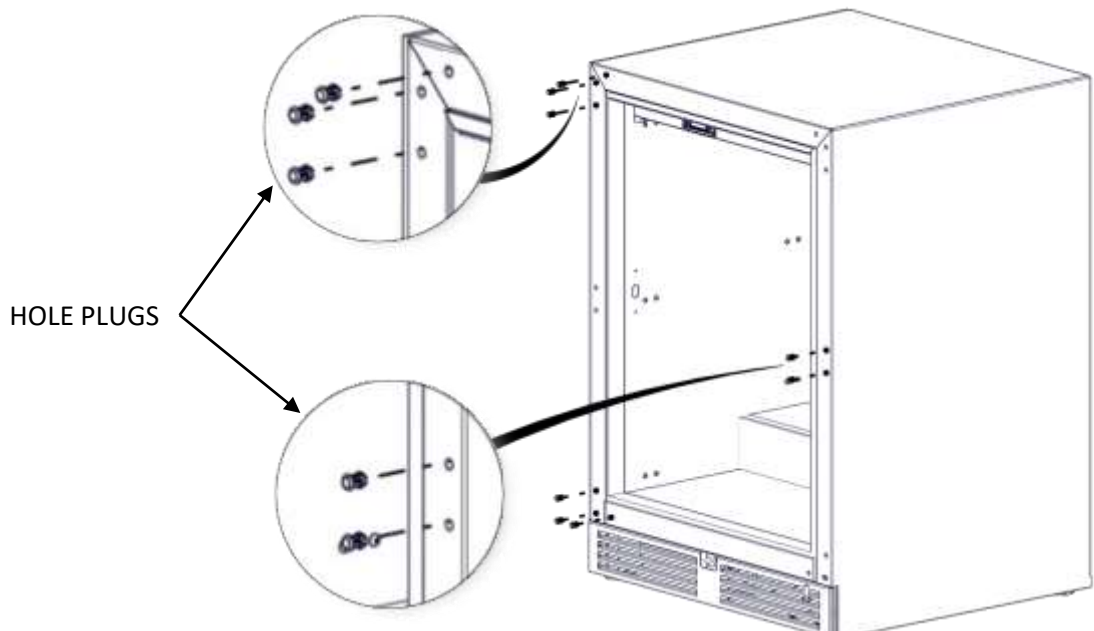
YOUR PURCHASED KIT COMES WITH TWO PLUNGER BRACKETS. THE BEST WAY TO VERIFY THE CORRECT PLUNGER BRACKET TO YOUR UNIT IS TO MEASURE THE GRILL OPENING LOCATED IN THE FRONT AND THE BOTTOM OF THE UNIT.

1. FIND DOOR PLUNGER BRACKET AND TWO SCREWS (#10 X 3/8" L) FROM BAG LABELED **1035415** OR **1052242**.
2. WITH A PHILLIPS HEAD SCREWDRIVER, FASTEN SCREWS (2 TOTAL) THROUGH THE TWO CENTER HOLES OF THE DOOR PLUNGER BRACKET (SEE PIC), AND INTO THE TWO DRILLED HOLES DONE IN STEP 8. MAKE SURE THE BRACKET IS SECURE AGAINST THE DOOR FRAME BUT DO NOT OVERTIGHTEN THE SCREWS.



## OPERATION 9: PLUG EMPTY HOLES

1. FIND THE HOLE PLUGS IN THE BAG LABELED **1035415** OR **1052242**, YOU WILL NEED 8 TOTAL.
2. PLUG HOLES LEFT BEHIND IN STEP 2 (WHERE OLD HINGES WERE PLACED) AND FROM STEP 4 (WHERE OLD LOCK LATCH WAS PLACED).



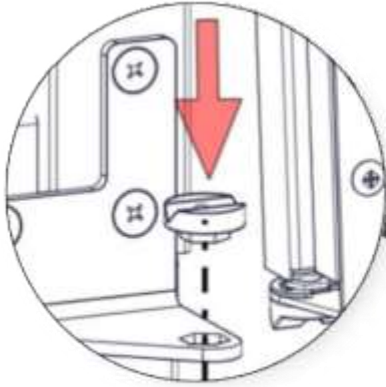


## OPERATION 10: MOUNTING DOOR ON UNIT

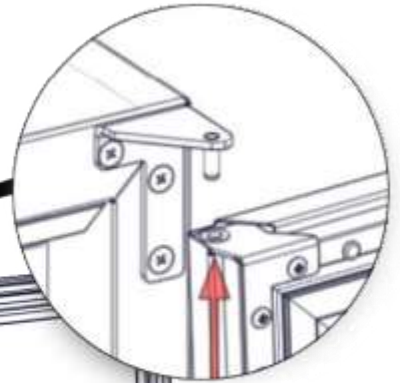
FIND THE REMAINING HINGE COMPONENTS IN THE BAG LABELED EITHER **1035413**, **1035414**, **1051708**, **1051709**, **1051710** OR **1051711**.

1. PLACE LOWER V-BLOCK INTO LOWER CABINET HINGE WITH NOTCH PARALLEL TO CABINET.
2. LIFT DOOR ASSEMBLY AND INSERT IT INTO TOP HINGE PIN.
3. MOVE DOOR TOWARD CABINET AND ALIGN V-BLOCKS.
4. INSERT AND TIGHTEN HINGE PIN. NOTE: HINGE PIN 63905-1 WITH THREADLOCKER TIGHTEN TO 8.0 IN-LBS. BARE HINGE PIN, APPLY BLUE LOCTITE 243 TO THREADS AND TIGHTEN TO 5.0 IN-LBS.

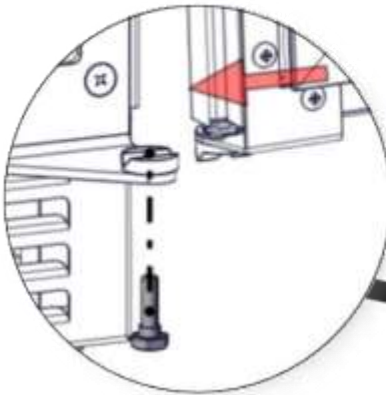
### STEP 1



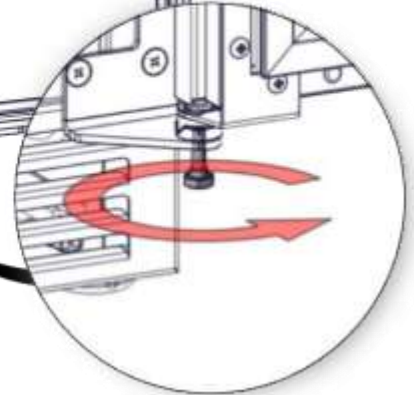
### STEP 2



### STEP 3



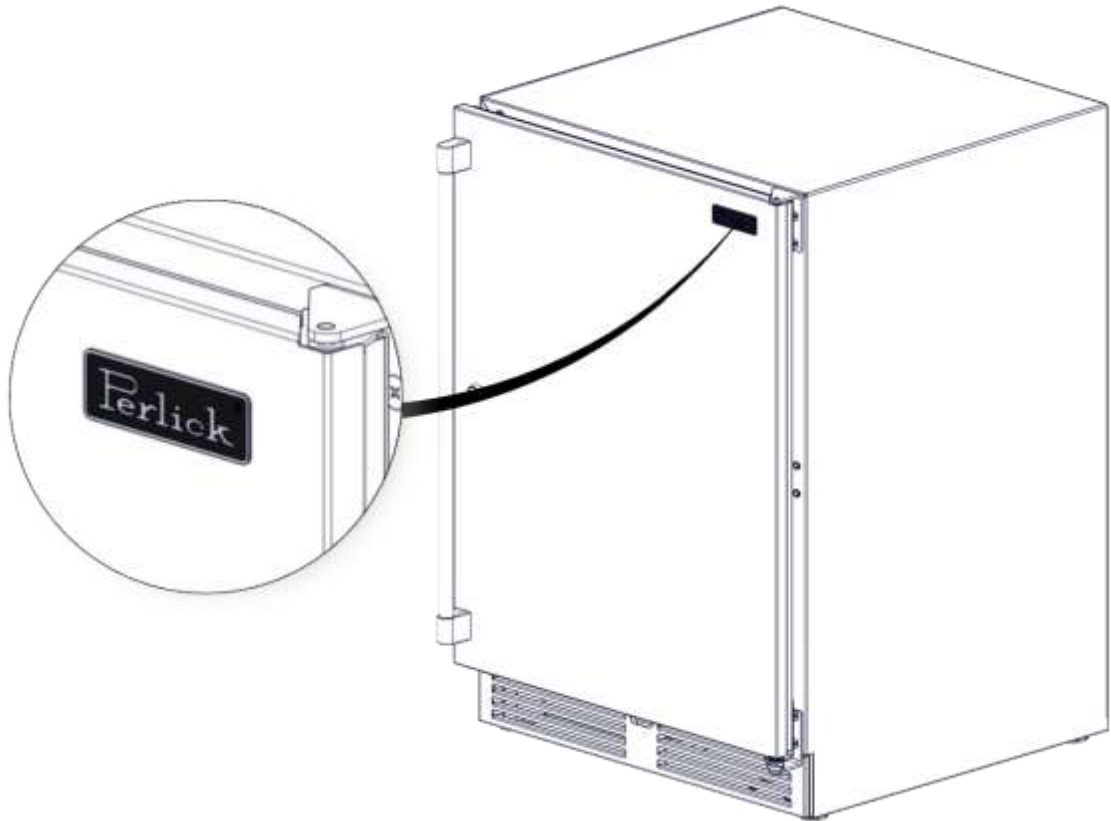
### STEP 4





## OPERATION 11: PLACING NAME PLATE

1. LOCATE NAME PLATE IN BAG LABELED **1035415** OR **1052242**.
2. PEEL BACK FILM FROM NAME PLATE AND PLACE IT IN THE UPPER CORNER ON THE HINGE SIDE OF THE DOOR, APPROXIMATELY 1 INCH FROM THE TOP AND TWO INCHES FROM THE SIDE EDGE (SEE PIC).



8/10/2023

REV #	ECO #	DESCRIPTION	DATE	NAME
C	2022-5879	UPDATED CALLOUT OF BLUE LOCTITE APPLICATION	02/02/2023	DC
D	2023-6112	ADDED MORE DOOR KITS, AND UPDATED KIT OPERATION OPTIONS	08/10/2023	JIT