



**GLASS RINSER**



68743SS shown

JOB	
AREA	
ITEM NO.	
MODEL NO.	

<b>MODELS</b>
68743SS



COMPONENT

NSF / ANSI 169

**Features**

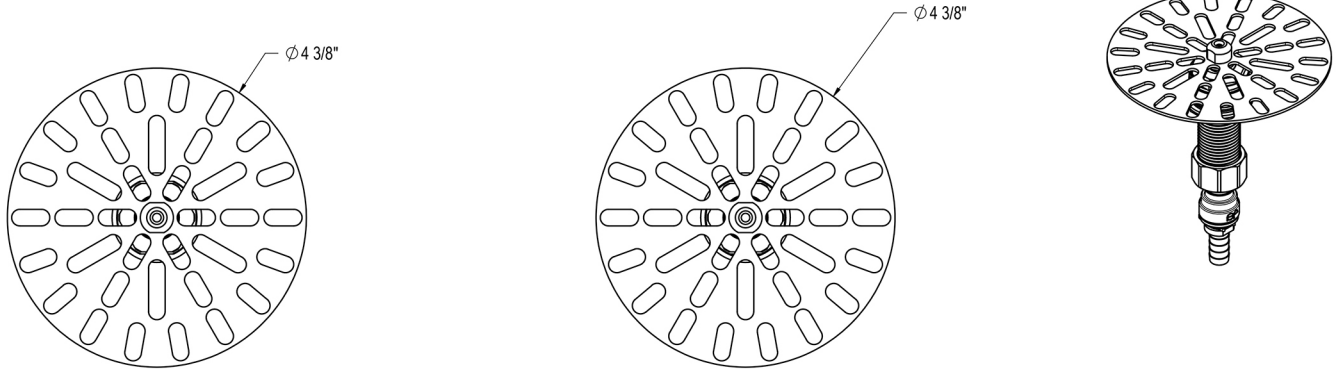
- NSF Listed Glass Rinser Assembly
- Conditions the Glass Utilizing Cold Water to Improve Beer Pour
- All Stainless Steel Construction



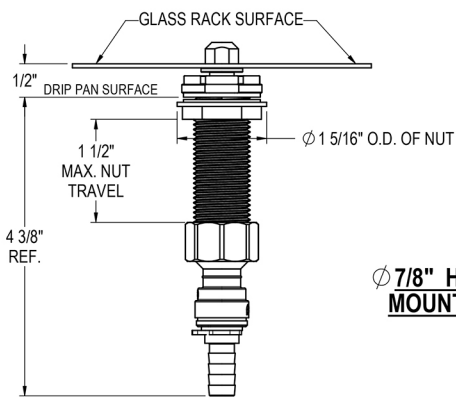
**GLASS RINSER**

<b>MODEL NOS.</b>	<b>68743SS</b>
<b>GLASS RACK DIAMETER (mm)</b>	4-3/8" (111)
<b>INSTALLED HEIGHT, STANDARD (mm)</b>	1/2" (13)
<b>INSTALLED HEIGHT, EXTENDED (mm)</b>	7/8" (22) Extended Height Assembly is required for Direct Replacement of Rinser, Part No. 65777
<b>MATERIAL</b>	Stainless Steel Glass Rack and Valve Assembly
<b>PLUMBING</b>	1/2" Straight NPS Thread with included John Guest Connector for 3/8" Flexible Hose
<b>MOUNTING HOLE (mm)</b>	7/8" diameter (22)

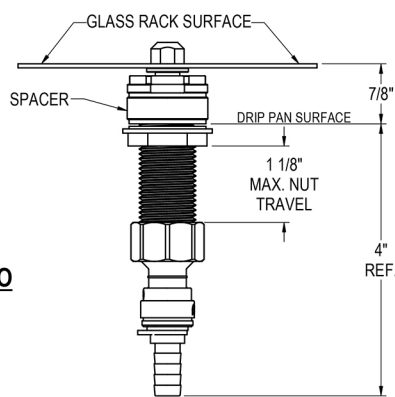
<b>RINSER INSTALLATION NOTES</b>	Check local plumbing codes. Install in-line water regulator set to 15 - 20 psi (not included). Install in-line shut-off valve (not included) and turn off nightly.
----------------------------------	--



**STANDARD HEIGHT ASSEMBLY**



**EXTENDED HEIGHT ASSEMBLY**



**Ø 7/8" HOLE REQUIRED TO MOUNT GLASS RINSER**

**NOTE:**  
EXTEND HEIGHT ASSEMBLY IS REQUIRED FOR DIRECT REPLACEMENT OF RINSER 65777.