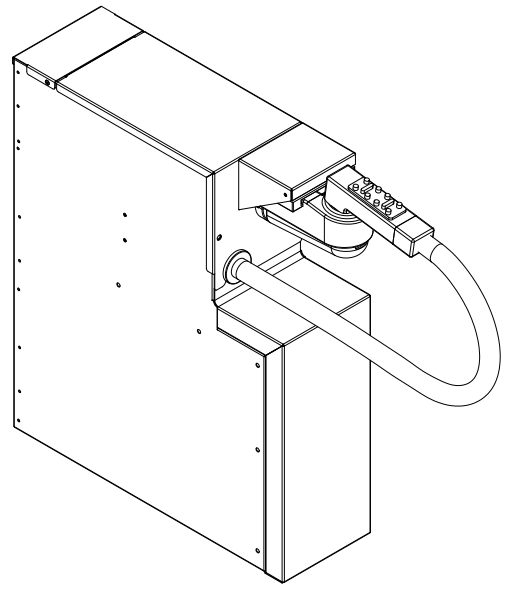




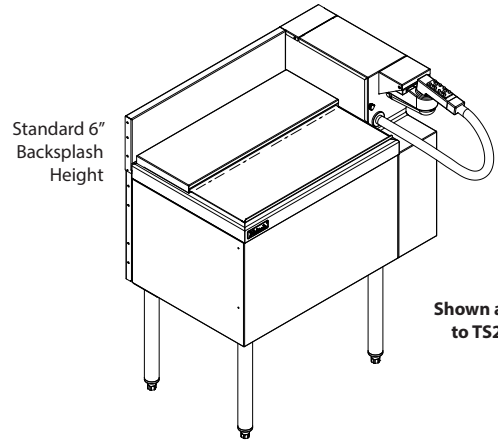
**SODA GUN FILLER SECTIONS**  
*TS and TSF Series*



*Note: Soda manifold, hose gun and drip cup NOT included. Shown for clarity of use only.*

JOB	
AREA	
ITEM NO.	
MODEL NO.	

MODELS	
TS4SGB	TS Series
TS6SGB	TS Series
TSF4SGB	TSF Series
TSF6SGB	TSF Series



Standard 6" Backsplash Height

Shown attached to TS24IC10

**KEY PRODUCT FEATURES AND BENEFITS**

- Interior mounted manifold conceals unsightly soda lines
- Integrated drip cup mounting allows canceled routing of drip tube to waste drain
- Tool-less removal of top cover provides easy service access

**Quick Features:**

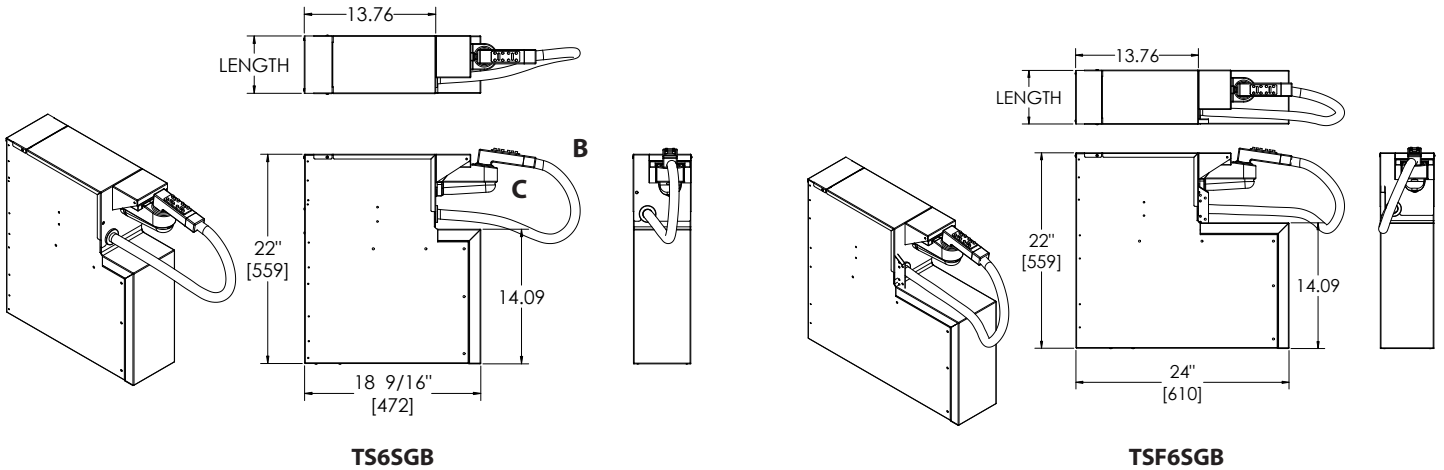
- All stainless steel construction
- Universal design accepts either Wunder-Bar® and Schroeder America™ 8-14 product soda manifolds and drip cups
- Tool-less access to soda manifold
- Accessory speed rails can by-pass or terminate on soda gun filler



## SODA GUN FILLER SECTIONS

*TS and TSF Series*

MODEL NOS.	TS4SGB	TSF4SGB	TS6SGB	TSF6SGB	
<b>DIMENSIONS EXTERIOR (mm)</b>	LENGTH IN. (mm)	4" (102)	4" (102)	6" (152)	
	DEPTH IN. (mm)	18-9/16" (472)	24" (610)	18-9/16" (472)	
	OVERALL HEIGHT IN. (mm)	36" (914)	36" (914)	36" (914)	
	SHIP WT. LB. (kg)	18 (8.16)	18 (8.16)	18 (8.16)	
<b>PERLICK BAR EQUIPMENT</b>	<b>CONSTRUCTION</b>	Stainless Steel			
	<b>LEGS</b>	Not applicable, must be mounted to adjacent equipment.			
	<b>CAPACITY/APPLICATION</b>	Universal Mounting Brackets accepts "non-flow-control" 8-14 product manifolds from Wunder-Bar® or Schroeder America™ that don't exceed 3" in overall thickness.		Universal Mounting Brackets accepts 8-14 product manifolds from Wunder-Bar® or Schroeder America™	



**Soda A) manifold; B) hose gun; and C) drip cup  
NOT included. Shown for clarity only.**

