



**CONDENSING UNITS FOR REMOTE CABINETS**



C26P-404A

JOB	
AREA	
ITEM NO.	
MODEL NO.	

MODELS
C26P-404A
C27P-404A
C28P-404A



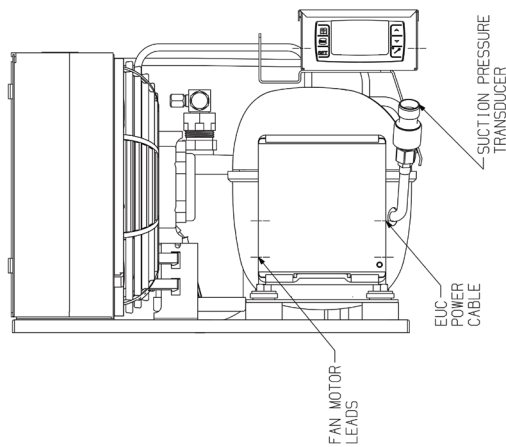
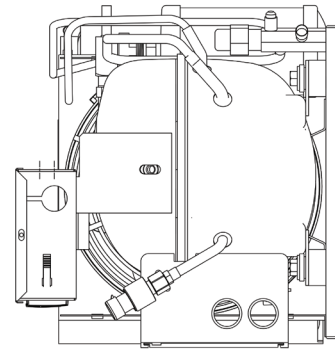
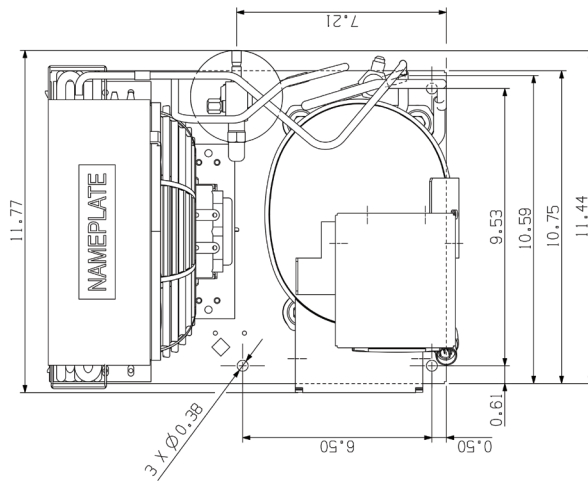
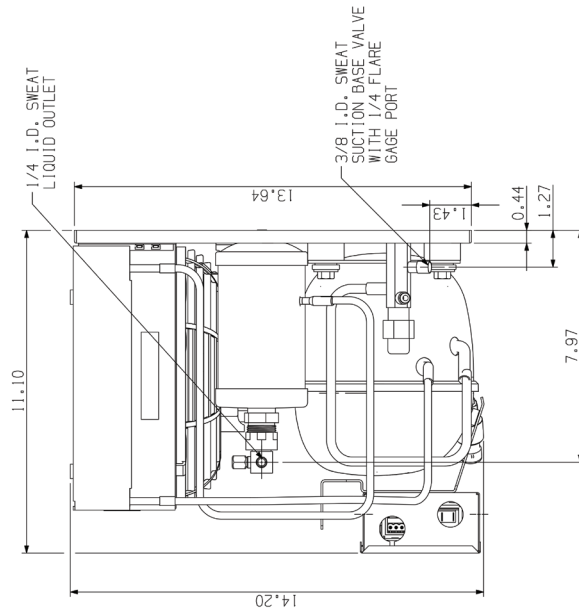
MODEL NOS.		C26P-404A	C27P-404A	C28P-404A
DIMENSIONS: EXTERIOR (mm)	Length	14½" (368)	16¼" (413)	16¼" (413)
	Width	11¾" (299)	13⅝" (334)	13⅝" (334)
	Height	11⅞" (283)	11⅜" (300)	11⅜" (283)
	Weight (lbs)	43	51	48
ELECTRICAL	Supply	115 VAC/60 Hz/1 Ph	115 VAC/60 Hz/1 Ph	115 VAC/60 Hz/1 Ph
	Max. Fuse Size (Amps)	15	15	20
	Running Load (Amp)	4.8	6.2	7.5
	Connection	Hard Wired	Hard Wired	Hard Wired
	Horsepower	1/4	1/3	1/2
REFRIGERATION	Refrigerant	R-404A	R-404A	R-404A
	Liquid Connection (in)	1/4 I.D. Sweat	1/4 I.D. Sweat	1/4 I.D. Sweat
	Suction Connection (in)	3/8 I.D. Sweat	3/8 I.D. Sweat	3/8 I.D. Sweat
GENERAL	Application	Indoor	Indoor	Indoor
	Condensor Type	Air	Air	Air
	Maximum cooling capacity in number of Perlick refrigerated backbar doors.	2	4	6
	Heat Rejection (Btu/Hr)	1990 @ 20°F	2820 @ 20°F	4200 @ 20°F
	Air Flow (CFM)	201	300	330
	Oil Type / Charge	POE / 12 Oz.	POE / 12 oz.	POE / 12 oz.

NOTE: Liquid and suction lines, refrigerant, solenoids, and electrical provided by others. System to be engineered and installed to sight conditions and local code by others.



**CONDENSING UNITS FOR REMOTE CABINETS**

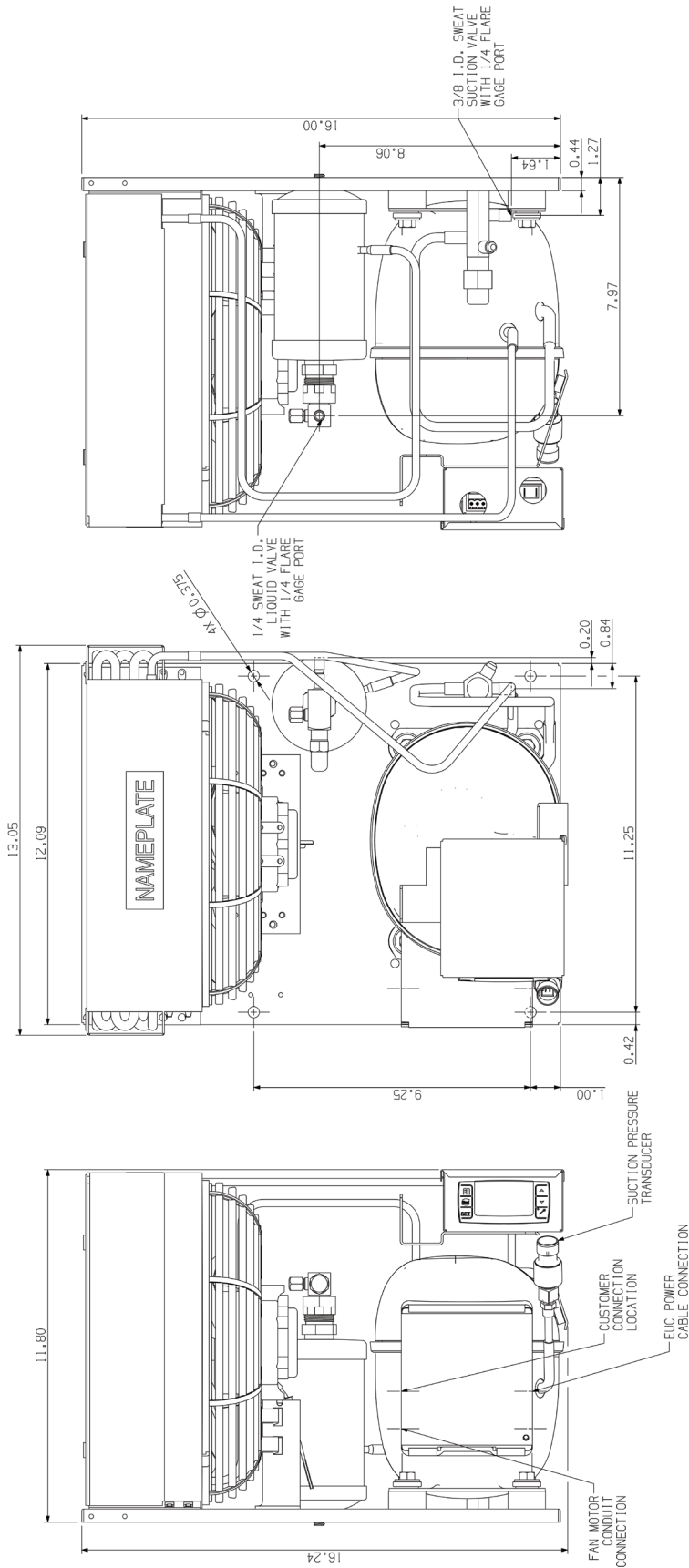
**C26P-404A**





**CONDENSING UNITS FOR REMOTE CABINETS**

**C27P-404A**





**CONDENSING UNITS FOR REMOTE CABINETS**

**C28P-404A**

