



**Bottle Wells & Cover Assemblies**

<b>BOTTLE WELLS</b>	Black high impact polypropylene. Inside dimensions of each cup is 4" x 4" x 5 3/4" deep.
<b>COVERS</b>	Two piece, stainless steel. NOTE: Thru-the-bar has a four piece cover assembly.

**MODEL NUMBERS**

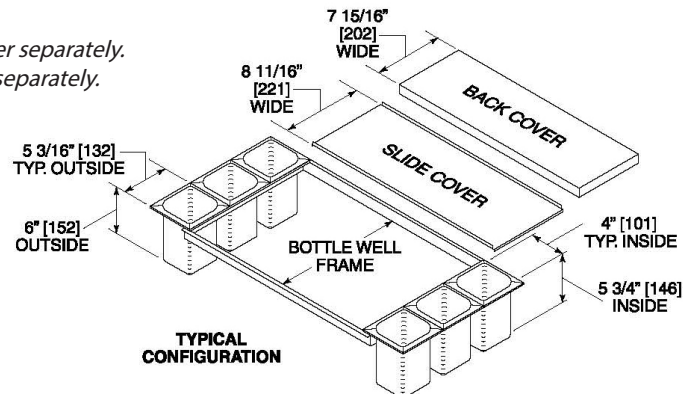
STANDARD	TS24IC(8)	TS30IC(8)	TS36IC(8)	TS42IC(8)	TS48IC(8)	
EXTRA DEEP	<b>7055A62/64</b>					
THRU-THE-BAR						<b>7055A70/73</b>

	BW3-24 (CC5*)	BW3-30 (CC7*)	BW3-36 (CC7*)	N/A	N/A	N/A
	BW6-24 (CC4*)	BW6-30 (CC6*)	BW6-36 (CC6*)	BW6-42 (CC7*)	BW6-48 (CC7*)	N/A
	N/A	BW9-30 (CC4*)	BW9-36 (CC7*)	BW9-42 (CC7*)	BW9-48 (CC7*)	N/A
	N/A	N/A	BW12-36 (CC4*)	BW12-42 (CC6*)	BW12-48 (CC7*)	N/A
	N/A	N/A	N/A	N/A	N/A	BW6PT (CC4**) (CC7†)

\* Maximum optional Condiment Rack Applicable. Order separately.

\*\* Maximum optional Condiment Rack Applicable on Bartender Side. Order separately.

† Maximum optional Condiment Rack Applicable on Waitress Side. Order separately.

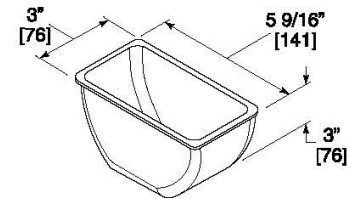
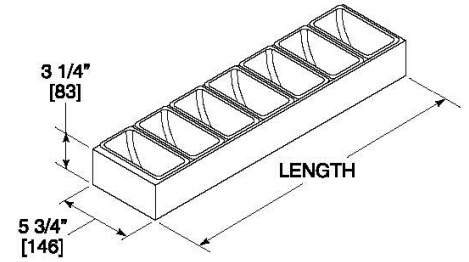




**UNDERBAR ACCESSORIES  
ICE CHESTS**

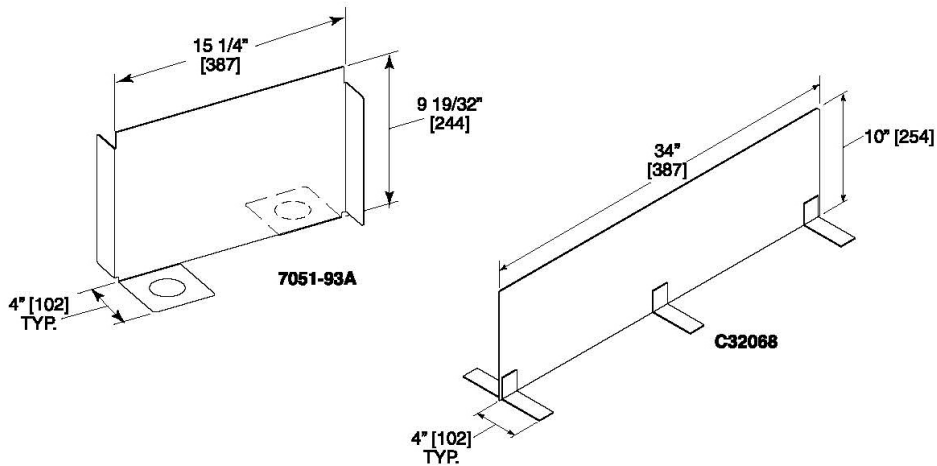
**Condiment Cups**

PART NO.	CC4	CC5	CC6	CC7
LENGTH IN. (mm)	12-7/16" (716)	15-3/8" (391)	18-5/16" (465)	20-1/4" (514)
NUMBER OF CUPS	4	5	6	7
CUP	White Polyethylene, 1 pint (0.5 L).			
HOUSING	Free Standing, stainless steel with rubber feet.			



**Ice Dividers - Free Standing**

PART NO.	7051-93A	C32068
APPLICATION	Standard Ice Chests.	Thru-the-Bar Chests.
MATERIALS	Stainless Steel.	



**Backsplash Cut-Out**

PART NO.	7055-265A
APPLICATION	TS Series Underbar with 6" or 4" high backsplash to provide access for soda lines.

