



SELF-CONTAINED NARROW DOOR REFRIGERATOR
1-, 2-, 3- and 4-Door



eco friendly
R290 Hydrocarbon Refrigerant



BBSN72 shown

JOB	
AREA	
ITEM NO.	
MODEL NO.	

MODELS	
BBSN32	1-Door Model
BBSN52	2-Door Model
BBSN72	3-Door Model
BBSN92	4-Door Model

NSF/ANSI Standard 7 Listed for open food storage.

KEY PRODUCT FEATURES AND BENEFITS

- 20" Doors, 16% smaller than standard, to accommodate tight working spaces behind the bar
- Stainless steel interior and top standard on all Perlick Back Bar refrigeration for long life durability and easy to clean hygienic storage
- 2" foamed-in-place eco-friendly insulation provides energy savings with zero ozone depletion
- NSF/ANSI Standard 7 Listed for open food, beverage, and garnish storage
- End wall compressor and evaporator design increases storage capacity by 14% compared to top mounted designs
- Anti-sweat heaters in cabinet face prevents condensation from forming on door, extending door gasket life and protecting flooring below from damage or slip hazards
- Multiple door styles available in any compartment
 - Choose between Glass, Stainless-Steel, Black Vinyl, or Customer Provided Overlay
 - Drawers not available on narrow door models

Quick Features:

- Configurable to accommodate tapping from any compartment
- Integrated door locks standard on all units
- Choose compressor mounted on left or right side of cabinet to match your space
- NSF Rated digital controller allows for easy and precise temperature changes
- Choose between three temperature ranges
 - Refrigerator (34°F-42°F) Factory set to 38°F
 - White Wine (40°F-65°F) Factory set to 45°F
 - Red Wine (40°F-65°F) Factory set to 60°F
- Choose between 6000K white LED lighting or cool blue display lighting
- Choose between Full Length, 6" Chrome, or pull tab style handles
- Choose between flat shelving and wine racks for each compartment
- 1 Year Parts and Labor Warranty, 5 Year Compressor Warranty



SELF-CONTAINED NARROW DOOR REFRIGERATOR
 1-, 2-, 3- and 4-Door

MODEL NUMBERS - BBSN32, BBSN52, BBSN72, BBSN92

MODEL NUMBERS		BBSN32	BBSN52	BBSN72	BBSN92
NUMBER OF DOORS		1	2	3	4
EXTERIOR CABINET DIMENSIONS	Length - in. (mm)	32 (813)	52 (1321)	72 (1829)	92 (2337)
	Depth - in. (mm)	24¾ (629)	24¾ (629)	24¾ (629)	24¾ (629)
	Height - in. (mm)	34⅞ (878)	34⅞ (878)	34⅞ (878)	34⅞ (878)
INTERIOR CABINET DIMENSIONS	Length - in. (mm)	16⅞ (418)	36⅞ (926)	56⅞ (1434)	76⅞ (1942)
	Depth - in. (mm)	18¾ (476)	18¾ (476)	18¾ (476)	18¾ (476)
	Height - in. (mm)	31 (787)	31 (787)	31 (787)	31 (787)
INTERNAL VOLUME Net. Cu. Ft. (Litres)		6.0 (170)	13.3 (377)	20.6 (583)	27.8 (787)
PRODUCT CAPACITY	CASE PACKED - 12 OZ. BOTTLE/CAN	161/238	329/483	518/763	707/1043
	STAGGERED - 12 OZ. BOTTLE/CAN	173/255	354/517	565/819	765/1121
SHIPPING WEIGHT Lbs. (kg.)		248# (112kg)	344# (156kg)	446# (202kg)	577# (262kg)
ELECTRICAL SPECIFICATIONS	Electrical Supply	120 VAC/60 Hz/1 Ph	120 VAC/60 Hz/1 Ph	120 VAC/60 Hz/1 Ph	120 VAC/60 Hz/1 Ph
	Running Load Amps	1.8	2.5	4.2	4.2
	Electrical Connection	Cord connected	Cord connected	Cord connected	Cord connected
	Cord Plug Type	NEMA 5-15	NEMA 5-15	NEMA 5-15	NEMA 5-15
	Cord Length	6'5"	6'5"	6'5"	6'5"
	Defrost Initiation	Automatic	Automatic	Automatic	Automatic
	Defrost Type	Off cycle	Off cycle	Off cycle	Off cycle
	Thermostat	Digital control	Digital control	Digital control	Digital control
	Lighting Type	LED	LED	LED	LED
REFRIGERATION SPECIFICATIONS	Horsepower	1/6	1/5	1/4	1/4
	Refrigerant	R290	R290	R290	R290
	Refrigerant Charge (grams)	90	100	90	90
	Heat Rejection at 75F BTU/hr"	900	1900	2300	2300
	Factory Temperature Setting - Refrigerator F (C)	38° (3.3°)	38° (3.3°)	38° (3.3°)	38° (3.3°)
	Temperature Range - Refrigerator F (C)	33°-40° (0.5°-4.5°)	33°-40° (0.5°-4.5°)	33°-40° (0.5°-4.5°)	33°-40° (0.5°-4.5°)
	Factory Temperature Setting - White Wine F (C)	50°-55° (10.0°-13.0°)	50°-55° (10.0°-13.0°)	50°-55° (10.0°-13.0°)	50°-55° (10.0°-13.0°)
	Factory Temperature Setting - Red Wine F (C)	60°-65° (15.5°-18.0°)	60°-65° (15.5°-18.0°)	60°-65° (15.5°-18.0°)	60°-65° (15.5°-18.0°)
	Temperature Range - Wine F (C)	50°-65° (10.0°-18.0°)	50°-65° (10.0°-18.0°)	50°-65° (10.0°-18.0°)	50°-65° (10.0°-18.0°)
	Condensing Unit Location	Left or Right	Left or Right	Left or Right	Left or Right
	Expansion Device	Capillary tube	Capillary tube	Capillary tube	Capillary tube
	Pull-Out Condensing Unit	Yes	Yes	Yes	Yes
Front Vented	Yes	Yes	Yes	Yes	
PLUMBING	Evaporator Condensate	Automatically	Automatically	Automatically	Automatically

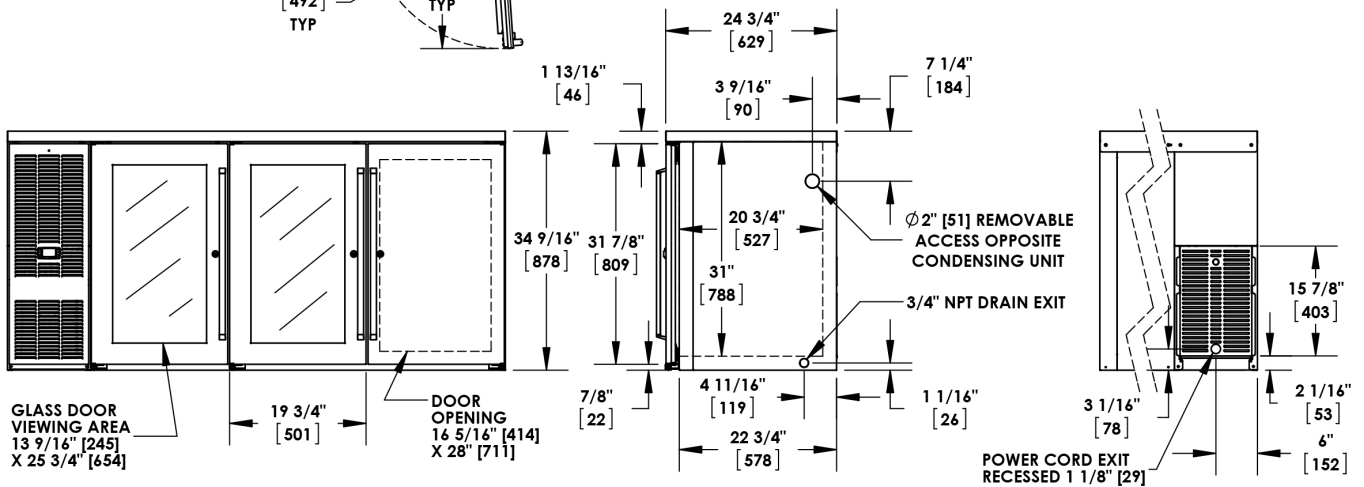
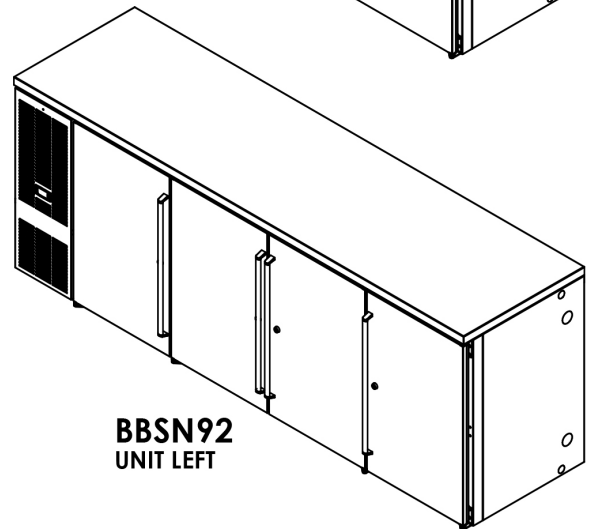
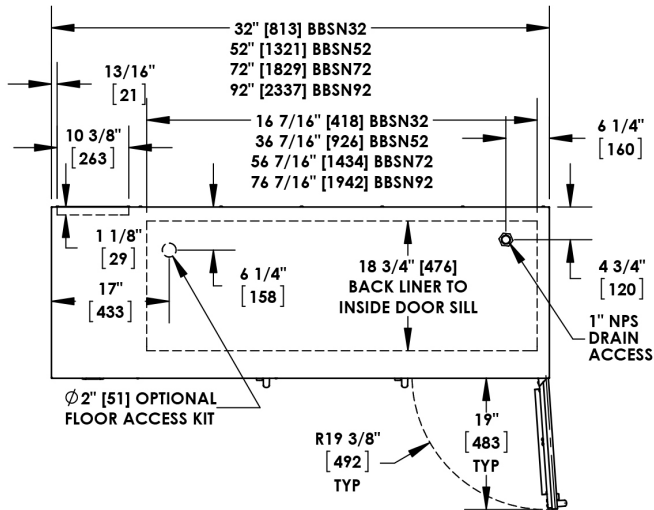
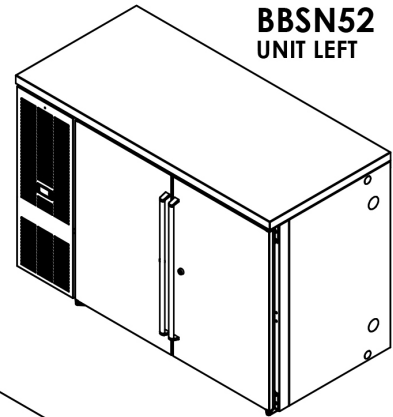
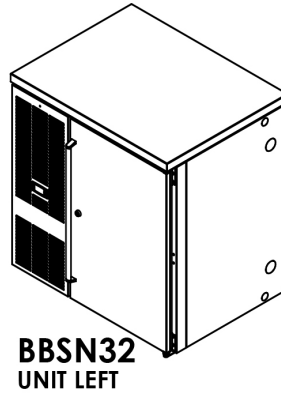
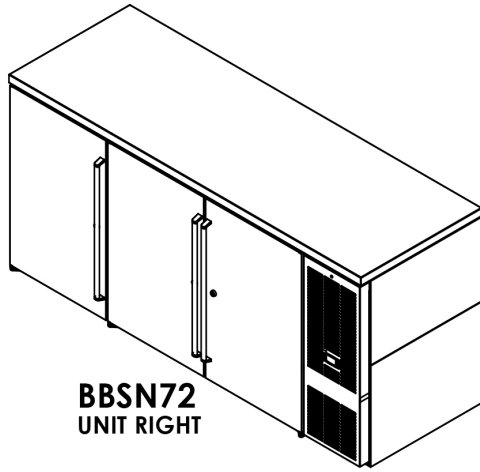
Wine Temperature refrigerators do not carry NSF Rating for open food storage.
 Wine Temperature units are NSF certified for non-potentially hazardous bottled and canned beverage storage.



SELF-CONTAINED NARROW DOOR REFRIGERATOR
1-, 2-, 3- and 4-Door

MODEL NUMBERS - BBSN32, BBSN52, BBSN72, BBSN92

Note: Open floor drain not provided on models intended for non-packaged food.



WARNING: California Prop 65 Notice

These products may expose you to chemicals including Chromium, which are known to the state of California to cause cancer and birth defects or other reproductive harm. For more information on whether a product in this list contains these chemicals, please refer to the specific product page at perlick.com. Or to find out more about Prop 65, go to P65Warnings.ca.gov.

Form No. 95177
Rev. 09.08.23