

**Perlick®** SELF-CONTAINED DIRECT DRAW CONCESSIONAIRE  
2- and 3-Door



**eco friendly**  
R290 Hydrocarbon Refrigerant



**DDC92 shown with optional Draft Arm Towers. 61/8" casters included.**

JOB	
AREA	
ITEM NO.	
MODEL NO.	

MODELS	
DDC68	2-Door Model
DDC92	3-Door Model

*Note: NSF/ANSI Standard 7 Listed for the storage and display of bottled or canned products only.*

**KEY PRODUCT FEATURES AND BENEFITS**

- Fully portable and self-contained mobile dispensing system, storing a CO2 drum, regulator, and liquid waste tank in an access area
- Environmentally friendly and energy efficient self-contained R290 Hydrocarbon refrigeration system provides industry leading cooling performance and temperature consistency
- Includes door locks, bumpers, casters, and a side cabinet for storing a CO2 tank (not included)
- Stainless steel interior and top standard on all perlick Back Bar refrigeration for long life durability and easy to clean hygienic storage
- NSF Certified to NSF/ANSI Standard #7 for storage of bottles, canned, and kegged beverages
- 2" foamed-in-place eco-friendly insulation provides energy savings with zero ozone depletion
- End wall compressor and evaporator design increases storage capacity by 14% compared to top mounted designs
- Anti-sweat heaters in cabinet face prevents condensation from forming on door, extending door gasket life and protecting flooring below from damage or slip hazards

**Quick Features:**

- Integrated door locks standard on all units
- NSF Rated digital controller allows for easy and precise temperature changes
- 6000K white LED lighting
- Choose between three temperature ranges; Refrigerator (34°F-42°F) Factory set to 38°F, White Wine (40°F-65°F) Factory set to 45°F, Red Wine (40°F-65°F) Factory set to 60°F
- 1 Year Parts and Labor Warranty, 5 Year Compressor Warranty
- Electrical Supply—120 VAC/60Hz/1 Ph—NEMA 5-15 Cord Plug Type
- 1 Year Parts and Labor Warranty, 5 Year Compressor Warranty



**SELF-CONTAINED DIRECT DRAW CONCESSIONAIRE**  
**2- and 3-Door**

MODEL NUMBERS		DDC68	DDC92
NUMBER OF DOORS		2	3
EXTERIOR CABINET DIMENSIONS	Length - in. (mm)	68 (1727)	92 (2337)
	Depth - in. (mm)	24¾ (629)	24¾(629)
	Height - in. (mm)	34⅞ (878)	34⅞ (878)
INTERIOR CABINET DIMENSIONS	Length - in. (mm)	44 (1118)	68 (1727)
	Depth - in. (mm)	18¾ (476)	18¾ (476)
	Height - in. (mm)	28½ (724)	28½ (724)
* INTERNAL VOLUME, Net. Cu. Ft. (Litres)		16 (453)	24.8 (702)
MATERIALS		All stainless steel: Front, back, top and sides	
SHIPPING WEIGHT, Lbs. (kg.)		365 (165)	515 (233)
ELECTRICAL SPECIFICATIONS	Electrical Supply	120 VAC/60 Hz/1 Ph	120 VAC/60 Hz/1 Ph
	Running Load Amps	5.5	6.3
	Electrical Connection	Cord connected	Cord connected
	Cord Plug Type	NEMA 5-15	NEMA 5-15
	Cord Length	6'5"	6'5"
	Defrost Initiation	Automatic	Automatic
	Defrost Type	Off cycle	Off cycle
	Thermostat	Digital control	Digital control
REFRIGERATION SPECIFICATIONS	Horsepower	1/4	1/3
	Refrigerant	R290	R290
	Refrigerant Charge, oz.	7.0	7.0
	Factory Temperature Setting-Refrigerator F (C)	38° (3.3°)	38° (3.3°)
	Temperature Range-Refrigerator F (C)	33°-40° (0.5°-4.5°)	33°-40° (0.5°-4.5°)
	Condensing Unit Location	Left	Left
	Expansion Device	Capillary tube	Capillary tube
	Pull Out Condensing Unit	Yes	Yes
	Front Vented	Yes	Yes
PLUMBING	Floor Drain Included	Yes	Yes
	Evaporator Condensate	Automatically	Automatically

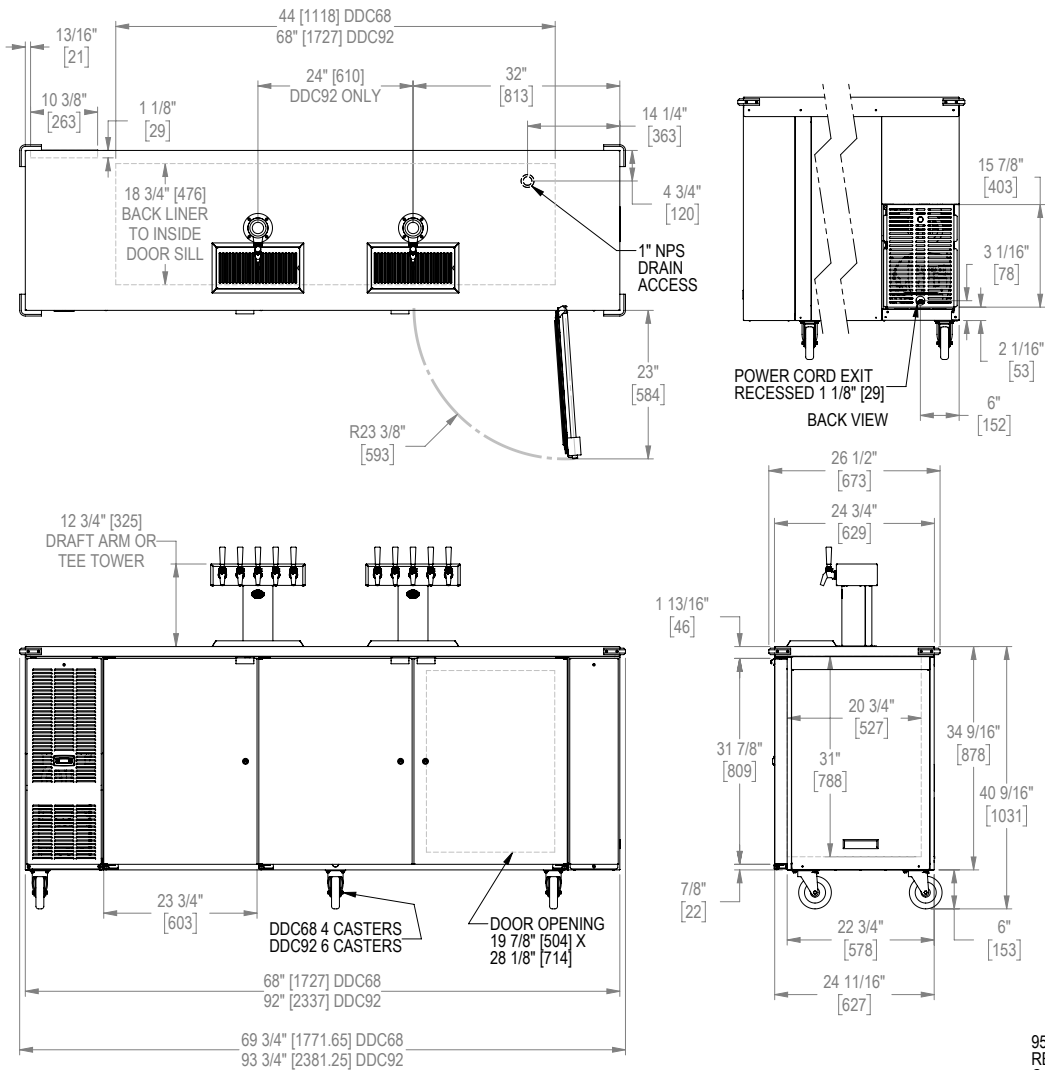
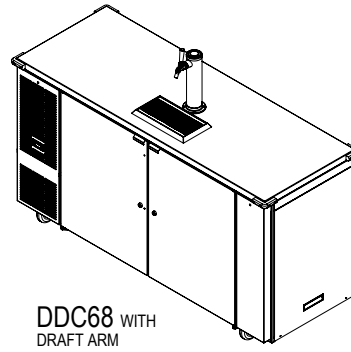
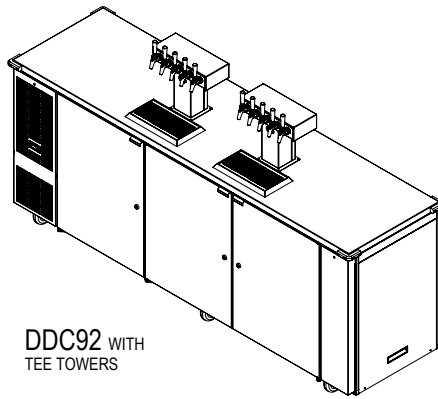
\* **Note:** For keg capacities and layouts, go to [www.perlick.com](http://www.perlick.com).



# SELF-CONTAINED DIRECT DRAW CONCESSIONAIRE

## 2- and 3-Door

Note: All Dispensing Towers shown are optional and must be ordered separately.



95181  
 REV B  
 CJK  
 11/17/20

Form No. 95170  
 Rev. 09.08.23