



## WINGED TEE TOWERS

*Standard and Illuminated*



**66500-6BPC**



**66500P-6BIM**

JOB	
AREA	
ITEM NO.	
MODEL NO.	

STANDARD BASE			
66500-4B	66500-5B	66500-6B	66500-S8B
66500-4BPC	66500-5BPC	66500-6BPC	66500-S8BPC
66500-4BTF	66500-5BTF	66500-6BTF	66500-S8BTF

ILLUMINATED			
66500P-4BIM	66500P-5BIM	66500P-6BIM	66500P-S8BIM
66500P-4BPCIM	66500P-5BPCIM	66500P-6BPCIM	66500P-S8BPCIM
66500P-4BTFIM	66500P-5BTFIM	66500P-6BTFIM	66500P-S8BTFIM

### KEY PRODUCT FEATURES AND BENEFITS

- The Winged Tee Tower is an aesthetically versatile option made to compliment various spaces – the subtle contrast of polished chrome or brass, finished with black end caps, provide a sleek and modern, yet sporty look
- Pure copper coolant lines and cold block maintain chilled beverage temperature, minimizing foam and lost profits
- Insulated dispensing head and shank bushings minimize sweating to keep your bar clean, cool more efficiently for energy reduction, and reduce warm spots in the tower to give you the perfect pour
- Illuminated version Includes illuminated medallions with white badges – brand I.D. badges are available for order separately
- Stainless steel, polished chrome and tarnish-free brass body with black molded ABS end caps
- Faucets and faucet handles not included

**MODEL NUMBERS** - 66500-4B, 66500-5B, 66500-6B, 66500-S8B, 66500-4BPC, 66500-5BPC, 66500-6BPC, 66500-S8BPC, 66500P-4BIM, 66500P-5BIM, 66500P-6BIM, 66500P-S8BIM, 66500P-4BPCIM, 66500P-5BPCIM, 66500P-6BPCIM, 66500P-S8BPCIM, 66500P-4BTFIM, 66500P-5BTFIM, 66500P-6BTFIM, 66500P-S8BTFIM



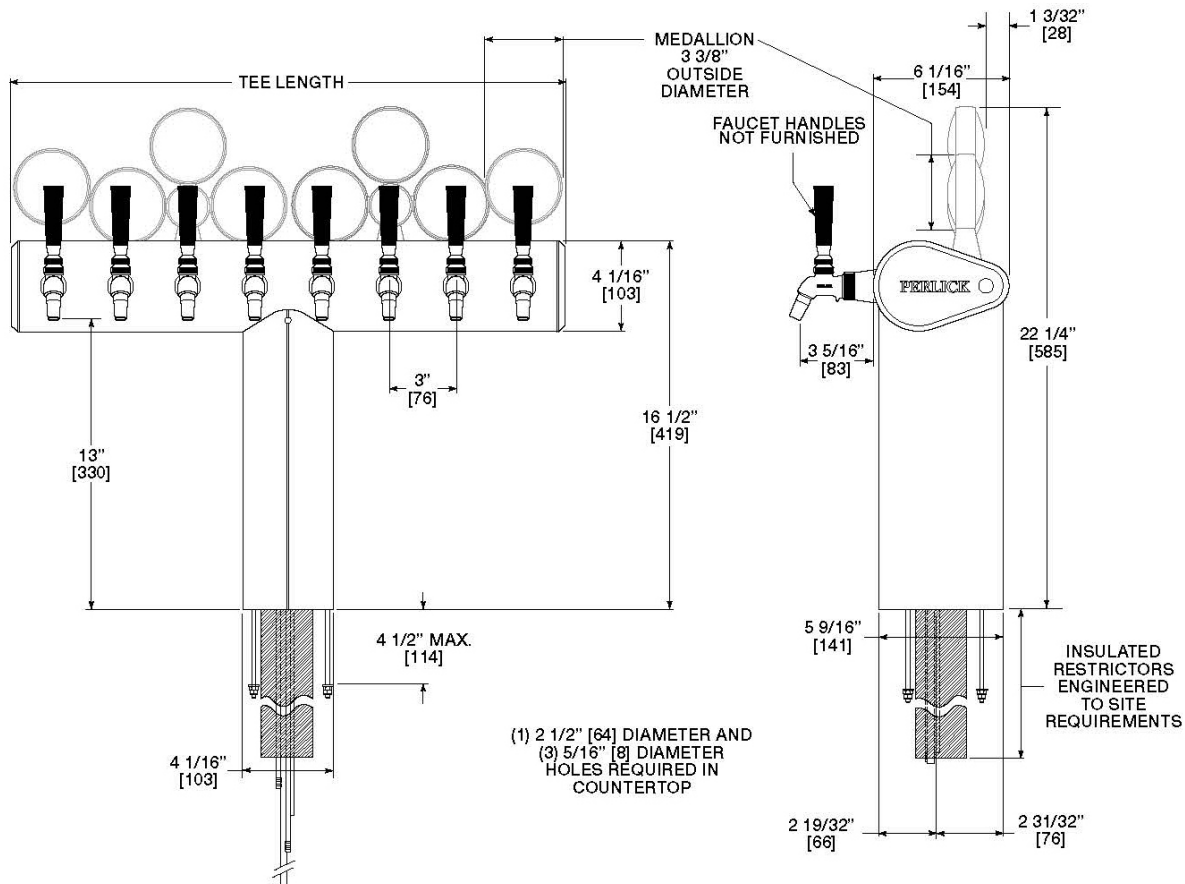
**WINGED TEE TOWERS**  
*Standard and Illuminated*

**STANDARD BASE**

NUMBER OF FAUCETS		4	5	6	8
MODEL NUMBERS	Stainless Steel	66500-4B	66500-5B	66500-6B	66500-8B
	Polished Chrome	66500-4BPC	66500-5BPC	66500-6BPC	66500-8BPC
	Tarnish-Free Brass	66500-4BTF	66500-5BTF	66500-6BTF	66500-8BTF
Faucet Centers (mm)		3" (76)	3" (76)	3" (76)	3" (76)
Overall Width (mm)		12-3/4" (324)	15-3/4" (400)	18-3/4" (476)	24-3/8" (619)
Overall Height (mm)		16-1/2" (419)	16-1/2" (419)	16-1/2" (419)	16-1/2" (419)
Faucet Height (mm)		13" (330)	13" (330)	13" (330)	13" (330)

**ILLUMINATED**

NUMBER OF FAUCETS		4	5	6	8
MODEL NUMBERS	Stainless Steel	66500P-4BIM	66500P-5BIM	66500P-6BIM	66500P-8BIM
	Polished Chrome	66500P-4BPCIM	66500P-5BPCIM	66500P-6BPCIM	66500P-8BPCIM
	Tarnish-Free Brass	66500P-4BTFIM	66500P-5BTFIM	66500P-6BTFIM	66500P-8BTFIM
Faucet Centers (mm)		3" (76)	3" (76)	3" (76)	3" (76)
Overall Width (mm)		12-3/4" (324)	15-3/4" (400)	18-3/4" (476)	24-3/8" (619)
Overall Height (mm)		22-1/4" (565)	22-1/4" (565)	22-1/4" (565)	22-1/4" (565)
Faucet Height (mm)		13" (330)	13" (330)	13" (330)	13" (330)



MODEL NUMBERS - 66500-4B, 66500-5B, 66500-6B, 66500-8B, 66500-4BPC, 66500-5BPC, 66500-6BPC, 66500-8BPC, 66500-4BTF, 66500-5BTF, 66500-6BTF, 66500-8BTF, 66500P-4BIM, 66500P-5BIM, 66500P-6BIM, 66500P-8BIM, 66500P-4BPCIM, 66500P-5BPCIM, 66500P-6BPCIM, 66500P-8BPCIM, 66500P-4BTFIM, 66500P-5BTFIM, 66500P-6BTFIM, 66500P-8BTFIM