



**PERLICK 24" MOBILE STORAGE CART WITH DRAINBOARD**



MOBS-24DSC

JOB	
AREA	
ITEM NO.	
MODEL NO.	

<b>MODELS</b>
MOBS-24DSC

**TAKE THE PARTY ANYWHERE**

Get even more use out of your Perlick Mobile Bar with an additional storage cart. More surface and storage space equals more efficient bartending and less customer wait time to increase profitability.

**Perlick 24" Mobile Storage Cart with Drainboard Includes:**

- Laminate, stainless steel, or engineered solid surface bar top options
- Laminate exterior offered in multiple colors
- Locking 5" 304 stainless steel casters with polyurethane tread for corrosion resistance
- LED bartender task lighting
- Stainless steel drink rail
- SC24 with locking door and drainboard top
- Lower storage area with adjustable shelf for glass racks, dry goods and canned or bottled beverages



**PERLICK 24" MOBILE STORAGE CART WITH DRAINBOARD**

MODEL NOS.		MOBS-24DSC
<b>DIMENSIONS: EXTERIOR (mm)</b>	Length	28-1/2" (724)
	Width	32" (813)
	Height	46-1/2" (1181)
	Weight	158 lbs. (72 kg)
<b>PERLICK BAR EQUIPMENT</b>	Storage Cabinet	SC24 with locking door and drainboard top
<b>ELECTRICAL</b>	Voltage	120V AC
	Frequency	60 Hz
	Phase	Single
	Amperage	0.2 A
	Connection	NEMA 5-15P
<b>LED BARTENDER TASK LIGHTING</b>	Color Temperature	4000K
	Lumen Output	500 LM
<b>GRAY WATER (PRE-PLUMBED)</b>	Capacity	0.25 gal (1 L)

**LAMINATE EXTERIOR OPTIONS**



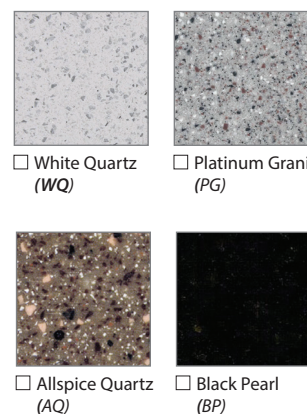
**Note:** Custom Vinyl wrap graphics available (Must call Perlick for quote and ordering process) - (VW)

**BAR TOP OPTIONS**

**Standard**



**Engineered Solid Surface**



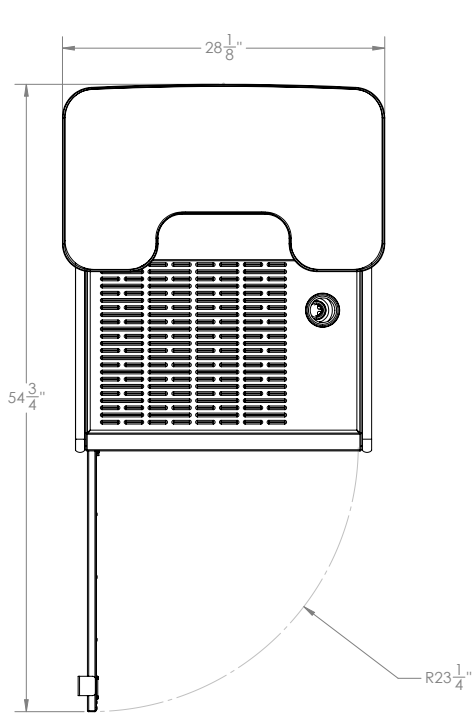
**Stainless Steel**



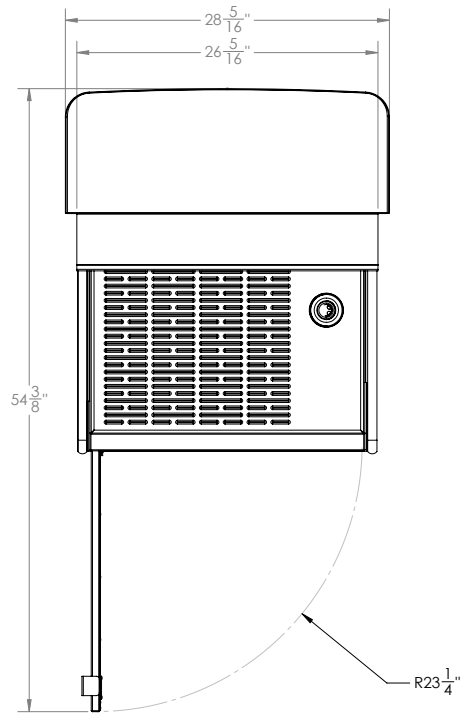


**PERLICK 24" MOBILE STORAGE CART WITH DRAINBOARD**

**MOBS-24DSC**



**Laminate Top**



**Stainless Steel Top**

