

24" SIGNATURE SERIES DUAL-ZONE FREEZER/REFRIGERATOR DRAWERS

HP24ZS-3 24" INDOOR MODEL
HP24ZO-3 24" OUTDOOR MODEL



Drawer Model

GENERAL SIGNATURE SERIES FEATURES



- **Industry Exclusive** front-vented RAPIDcool forced-air refrigeration system provides best-in-class cooling performance
- Powerful yet efficient 995 BTU variable-speed compressor ramps up to quickly bring down temperature of room temperature product
- **Industry Exclusive** two independently-controlled temperature zones allow you to store wine and beverages together
- Commercial-grade stainless steel interior and exterior
- All models available with stainless steel or panel ready drawers. Panel ready doors come ready to accept customer-supplied overlay and handles
- Drawers feature self-closing slides
- Adjustable Crisp White and Cool Blue LED lighting
- State-of-the-art digital control module
- Comprehensive Full Three Year Warranty plus additional three years on sealed system

HP24ZS/ZO FEATURES

- Available with stainless steel drawers or panel ready drawers
- Freezer equipped with automatic hot gas defrost for maintenance-free defrosting
- Drawers are full-extension for easy stocking and access to goods
- Freezer (lower) drawer temperature -10°- 10°F
- Refrigerator (upper) drawer temperature 30°F- 42°F

ACCESSORIES

| | |
|-----------|---|
| (L) | Factory Installed Lock |
| 67991-L/R | Stacking Kit for HP24/HC24/HA24 models |
| 66736 | Caster Kit for HP24/HC24/HA24 models |
| RK24DP | Drawer Pan Tray (3 SS pans with covers) |

Perlick accessories are available for purchase through an authorized Perlick dealer. For a full list of accessories and to find a dealer near you, visit perlick.com/residential

PRODUCT SPECIFICATIONS

| | |
|----------------------|--------------------------------|
| Product Width | 23-7/8" (606 mm.) |
| Product Height | 34-1/4" (870 mm.) |
| Product Depth | 24" (610 mm.) |
| Opening Width | 24" (610 mm.) |
| Opening Height | 34-1/2" (876 mm.) |
| Opening Depth** | 24-7/8" (632 mm.) |
| Refrigerated Volume | 5.0 cu. ft. |
| Door Swing Clearance | 18-1/4" (464 mm.) minimum |
| Electrical | 115V, 60Hz., 1 Phase, 2.3 amps |
| Compressor | 995 BTU, variable-speed |
| Plumbing | None Required |
| Annual Energy Usage | 415 kWh/yr |
| Shipping Weight | 191 lbs (100.70 kg.) |

** Includes 7/8" plug clearance. To achieve 24" depth, you must recess the plug into the wall directly behind the unit.

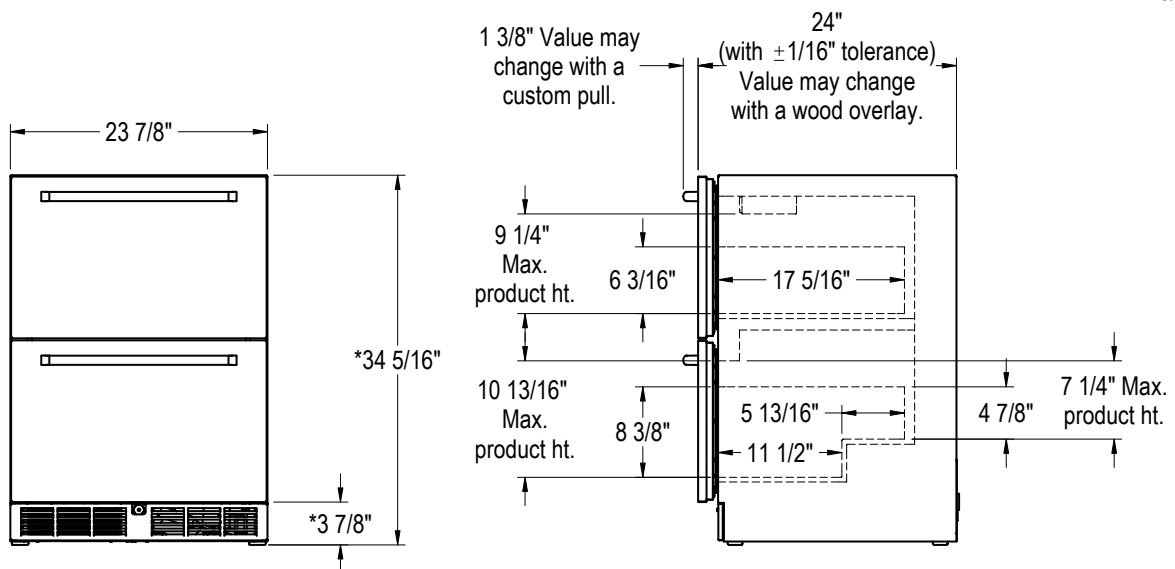
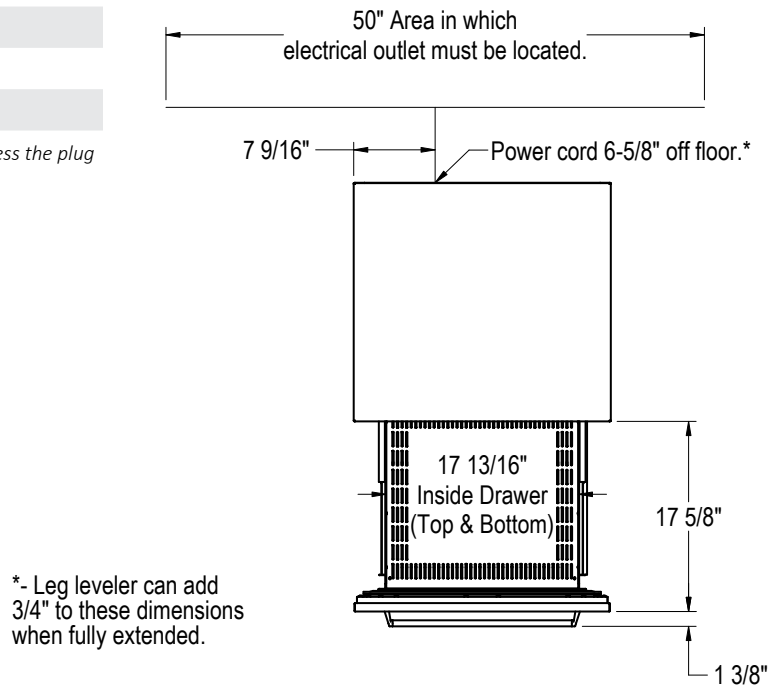
INDOOR MODELS

| | |
|-------------|-------------------------|
| HP24ZS-3-5 | Stainless steel drawers |
| HP24ZS-3-6† | Panel ready drawers |

OUTDOOR MODELS

| | |
|-------------|-------------------------|
| HP24ZS-3-5 | Stainless steel drawers |
| HP24ZS-3-6† | Panel ready drawers |

† This unit comes ready to accept customer-provided overlay panel and handle



California Prop 65 Notice:

WARNING: The materials used in this product may contain chemicals known to the State of California to cause cancer and birth defects or other reproductive harm. For more information go to www.P65Warnings.ca.gov.

FORM NO. Z2543
REV. A-09/07/2018