

# MODULAR BAR SYSTEM

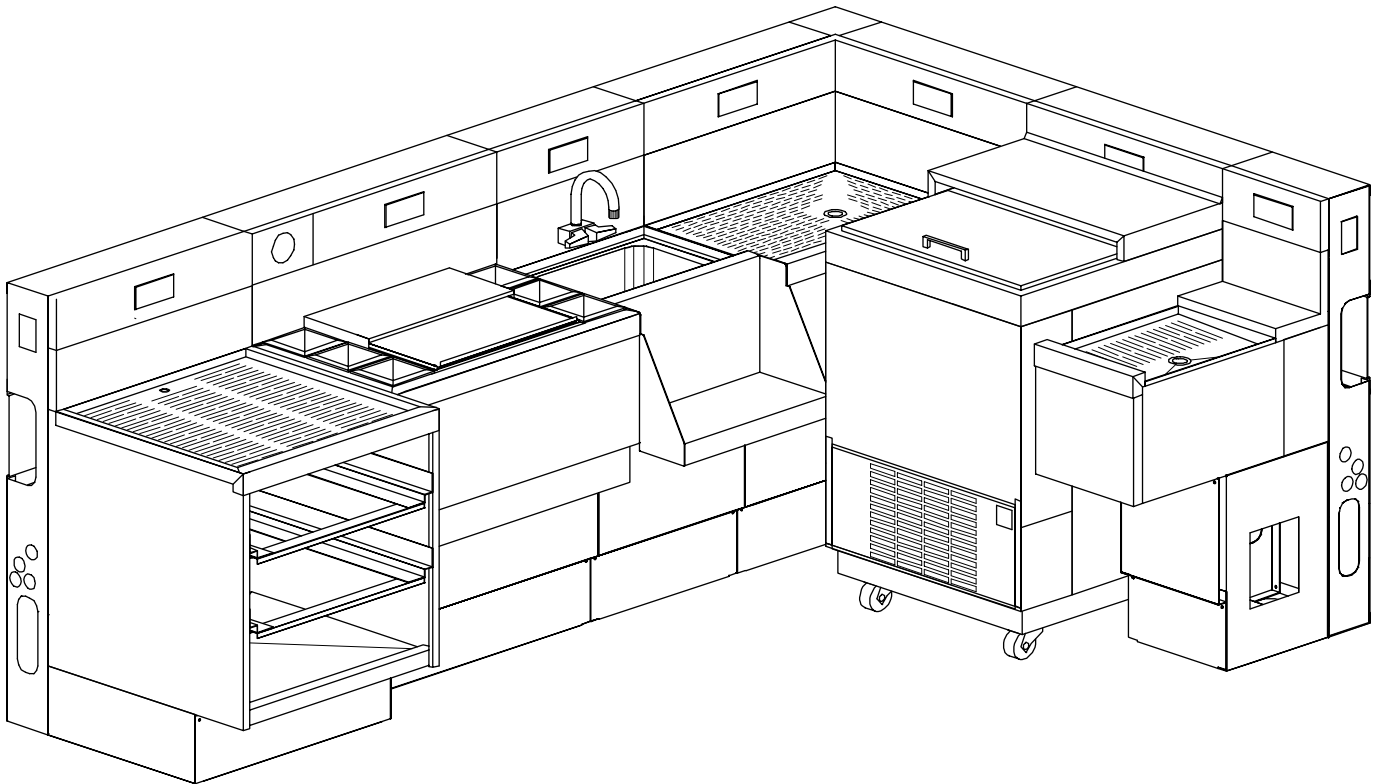
---

## Perlick Features

- Pre-engineered sections up to 8½ feet assures exact fit, eliminates on-site adjustments.
- All metal construction conceals beverage and utility lines.
- Interior finish panel is adjustable for sealing to the floor.
- Set-in-place beverage line chase eliminates damage to insulated beverage lines.
- Bar front panels are easily removed for quick access to all utilities and beverage lines.
- Bar top and front panels can be prefabricated to reduce on-site millwork costs.
- Factory-installed faucets and drain sockets.
- Optional electrical outlets and fluorescent lighting.

## MODEL NOS.

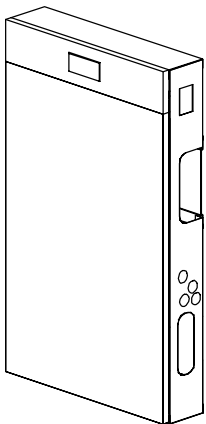
MBS Style



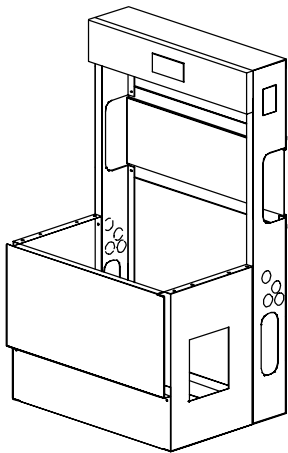
# Sizes and Specifications Modular Bar System

Job \_\_\_\_\_  
 Area \_\_\_\_\_  
 Item No. \_\_\_\_\_  
 Model No. \_\_\_\_\_

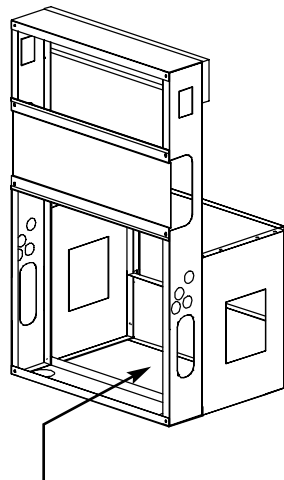
MODEL NOS.	MBS	
GENERAL	Structure:	Configured to the exact size and shape of underbar equipment, freestanding cabinets and openings, as specified.
	Chase:	An 8" x 3 1/2" beverage line chase runs the entire length of structure to include corners.
	Millwork:	By others
MECHANICAL	Utility Lines:	Dedicated chase locations for hot/cold water supply lines, beverage line conduits, and electrical conduit (accessible from customer's side of the bar.) This chase is accessible from the floor and runs the entire length of the bar.
	Floor Drains:	Locate floor drains directly below workboard equipment. The number of floor drains will vary depending on the bar layout and local codes.
UTILITY	Utilities:	A five inch (5") bar die behind the equipment, provides room for trunk lines, soda lines, plumbing, electrical, etc. to travel vertically or horizontally within the bar structure. Connections can be made from the front of the bar when panels are removed.
	Plumbing and Electrical	All water service and waste connections can be made from the customer's side of the bar (decorative front panel removed). Local codes dictate installation (by others). All electrical requirements such as receptacle to blenders, washers, coolers, soda guns, lights, etc. are by others. Plug-in fluorescent lighting is optional. <b>Note: All Plumbing and Electrical must be installed in compliance with local codes.</b>
	Electrical Cutouts	Electrical cutouts with solid cover included in top filler strip of each section. One cutout included in sections up to 30". Sections over 30" include two cutouts
MODULAR DESCRIPTION	Cabinet Base	Cabinet-style bases are used for underbar equipment which is typically mounted on 6" legs. It is not advisable to locate stub-ups under cabinet bases.
	Pedestal Base	Pedestal bases are used for equipment which is normally mounted on 18" legs. <b>Note: Plumbing and Electrical stub-ups should be located underneath pedestal bases.</b>
	Flat Wall	Flat walls are placed in sections where free-standing equipment will be located or to create an open space.



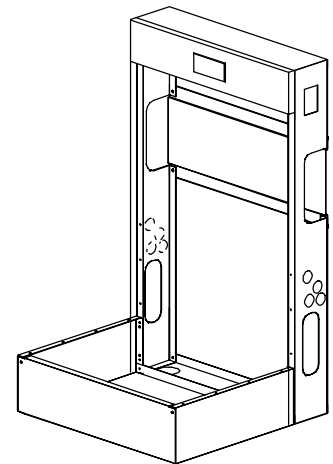
FLAT WALL



PEDESTAL BASE



STUB-UP LOCATION  
IN PEDESTAL BASE



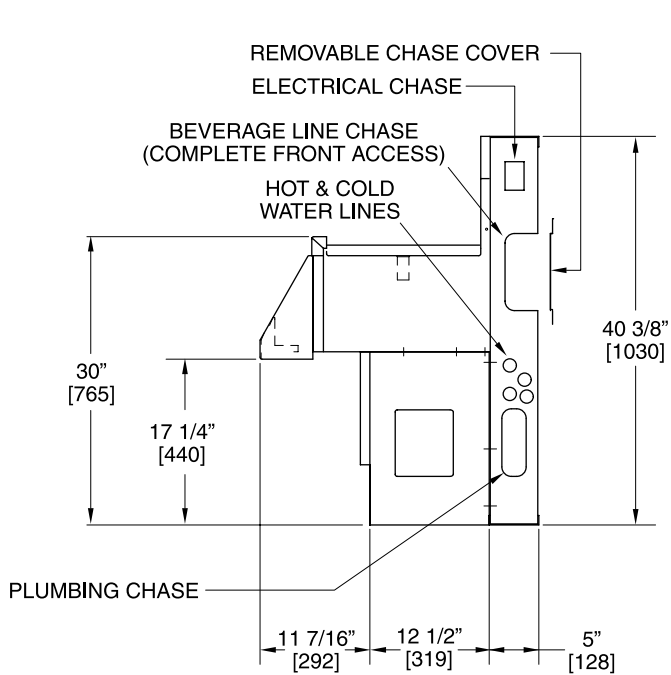
CABINET BASE



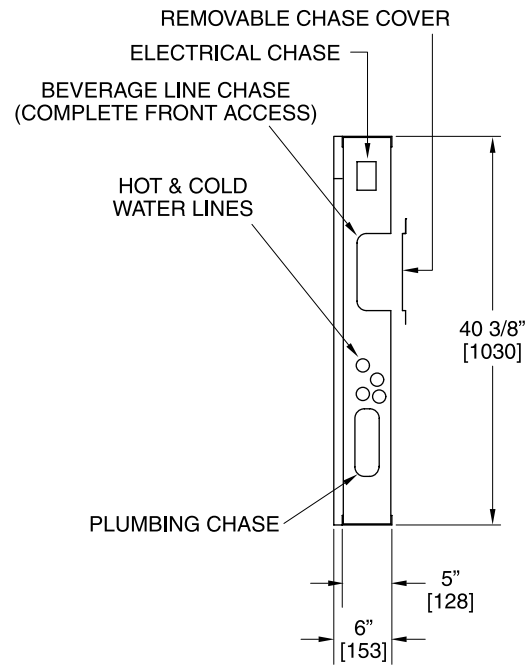
8300 West Good Hope Road • Milwaukee, WI 53223 • Phone 414-353-7060 • Fax 414-353-7069  
 Toll Free 800-558-5592 • E-Mail: Perlick@Perlick.com • www.Perlick.com

Perlick is committed to continuous improvement. Therefore, we reserve the right to change specifications without prior notice.

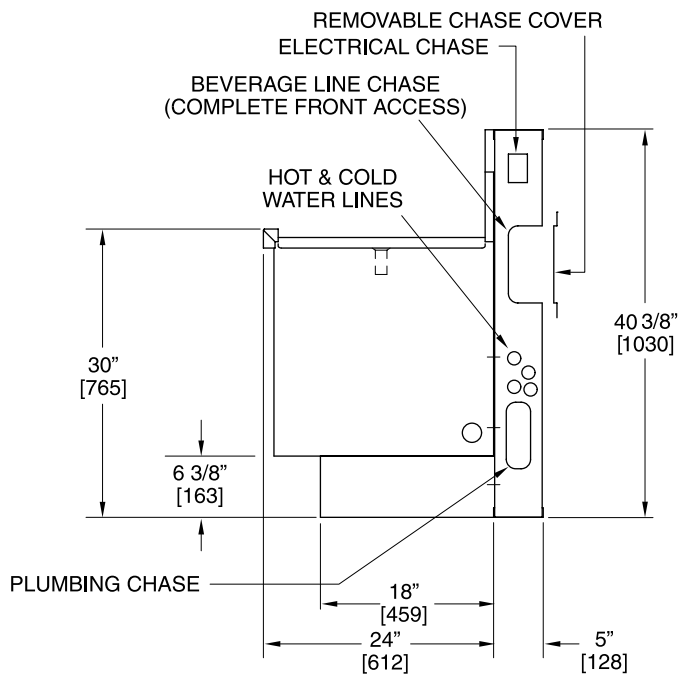
# Sizes and Specifications Modular Bar End Views



**PEDESTAL BASE END VIEW**



**FLAT WALL END VIEW**



**CABINET BASE END VIEW**

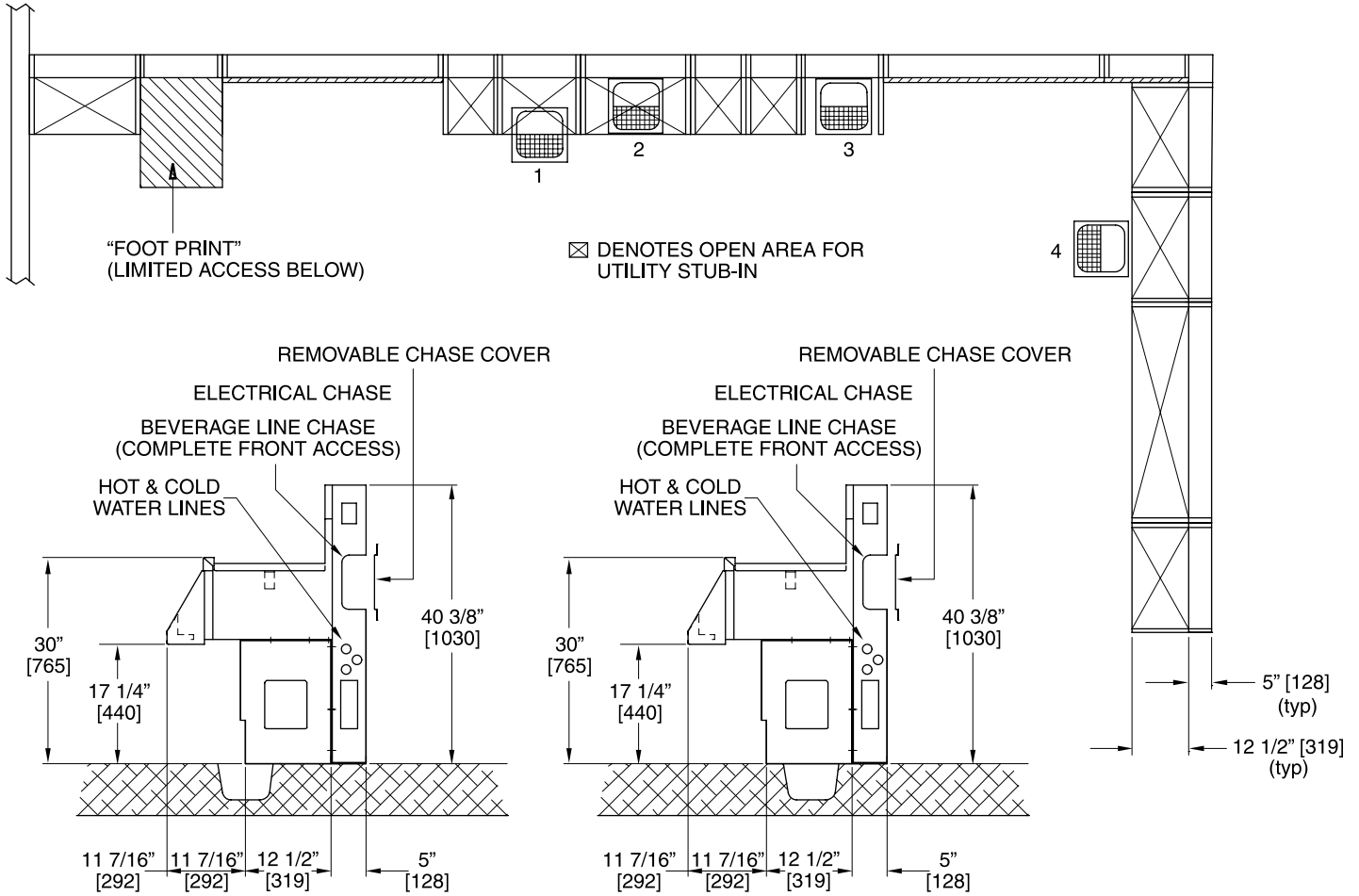


8300 West Good Hope Road • Milwaukee, WI 53223 • Phone 414-353-7060 • Fax 414-353-7069  
Toll Free 800-558-5592 • E-Mail: Perlick@Perlick.com • www.Perlick.com

Perlick is committed to continuous improvement. Therefore, we reserve the right to change specifications without prior notice.

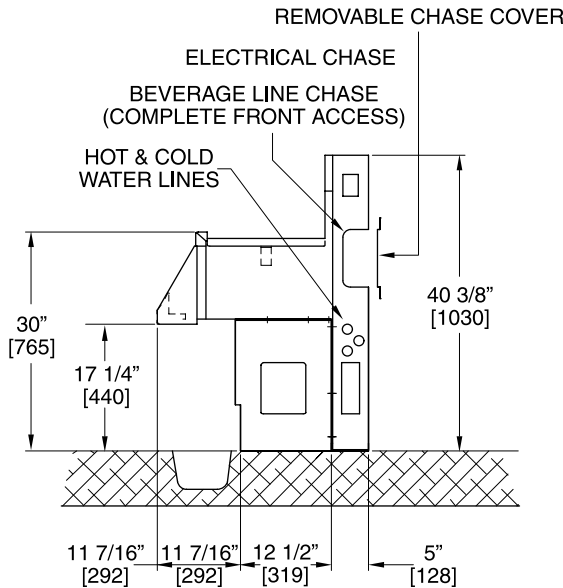
# Sizes and Specifications

## Floor Sink Location



**ILLUSTRATION 1**

**ILLUSTRATION 2 & 3**



**ILLUSTRATION 4**

**Floor Sink Location  
Must Comply with  
Local Codes**



8300 West Good Hope Road • Milwaukee, WI 53223 • Phone 414-353-7060 • Fax 414-353-7069  
Toll Free 800-558-5592 • E-Mail: Perlick@Perlick.com • www.Perlick.com

Perlick is committed to continuous improvement. Therefore, we reserve the right to change specifications without prior notice. Form No. 080100  
Rev. 1.16.03