



**BREW PIPE TOWERS
TEE SHAPE**



4061-8

JOB
AREA
ITEM NO.
MODEL NO.

MODELS
4061-6
4061-8
4061-10
4061-12
4061-16

- Pure copper coolant lines and cold block maintain chilled beverage temperature.
- Insulated dispensing head ensures a perfect temperature right up to the faucet.
- Factory-balanced restrictors control beverage flow and assure solid beer from the faucet with every pour.
- Faucets and faucet handles not included.

TEE SHAPE TOWER

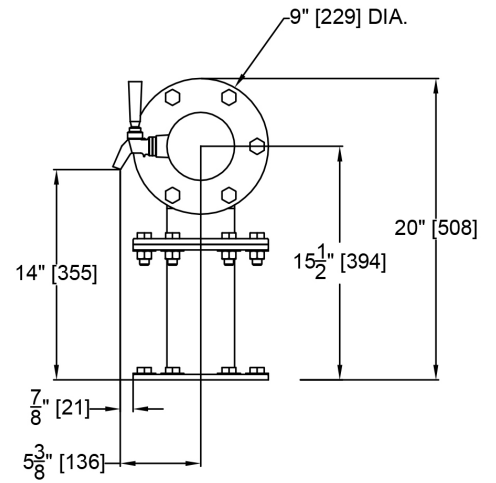
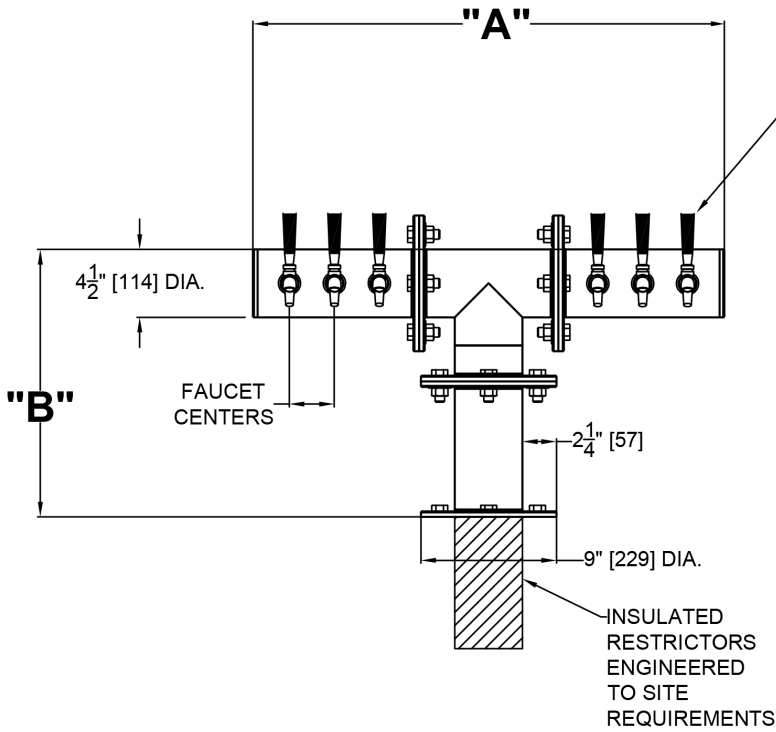
NUMBER OF FAUCETS		6	8	10	12	16
MODEL NUMBERS		4061-6	4061-8	4061-10	4061-12	4061-16
Faucet Centers (mm)		3" (76)	3" (76)	3" (76)	3" (76)	3" (76)
"A", Length (mm)		31-5/16" (795)	37-5/16" (948)	43-1/4" (1099)	49-1/4" (1251)	61-1/4" (1556)
"B", Standard Height (mm)		17-3/4" (451)	17-3/4" (451)	17-3/4" (451)	17-3/4" (451)	17-3/4" (451)
Shipping Weight, Lbs. (kg)		101 (46)	117 (53)	133 (60)	149 (68)	179.5 (81)
Optional Drip Pan	Model Number	7020-32	7020-38	7020-44	7020-50	7020-62
	"A", Length (mm)	32" (813)	38" (965)	44" (1118)	50" (1270)	62" (1575)
	"B", Depth (mm)	10" (254)	10" (254)	10" (254)	10" (254)	10" (254)

Available options and accessories:

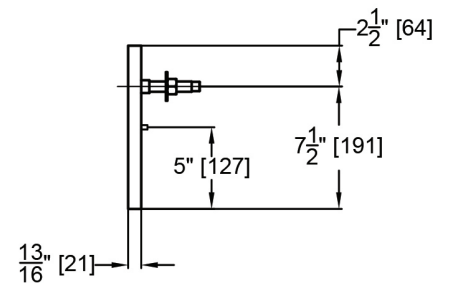
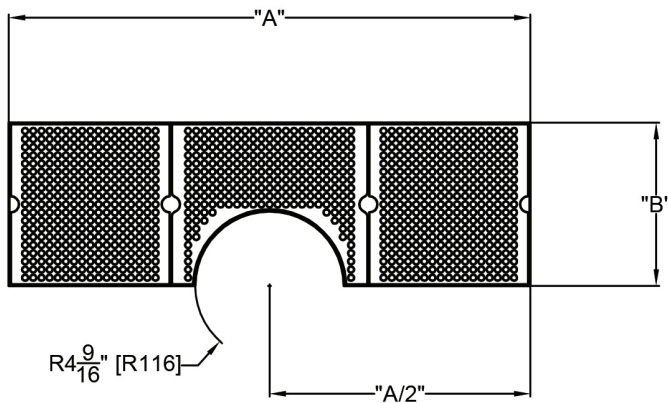
- 5/8" mounting bolt kits
- Faucet locks



BREW PIPE TOWERS
TEE SHAPE



Tee Brew Pipe Towers



Tee Brew Pipe Tower Drainers

