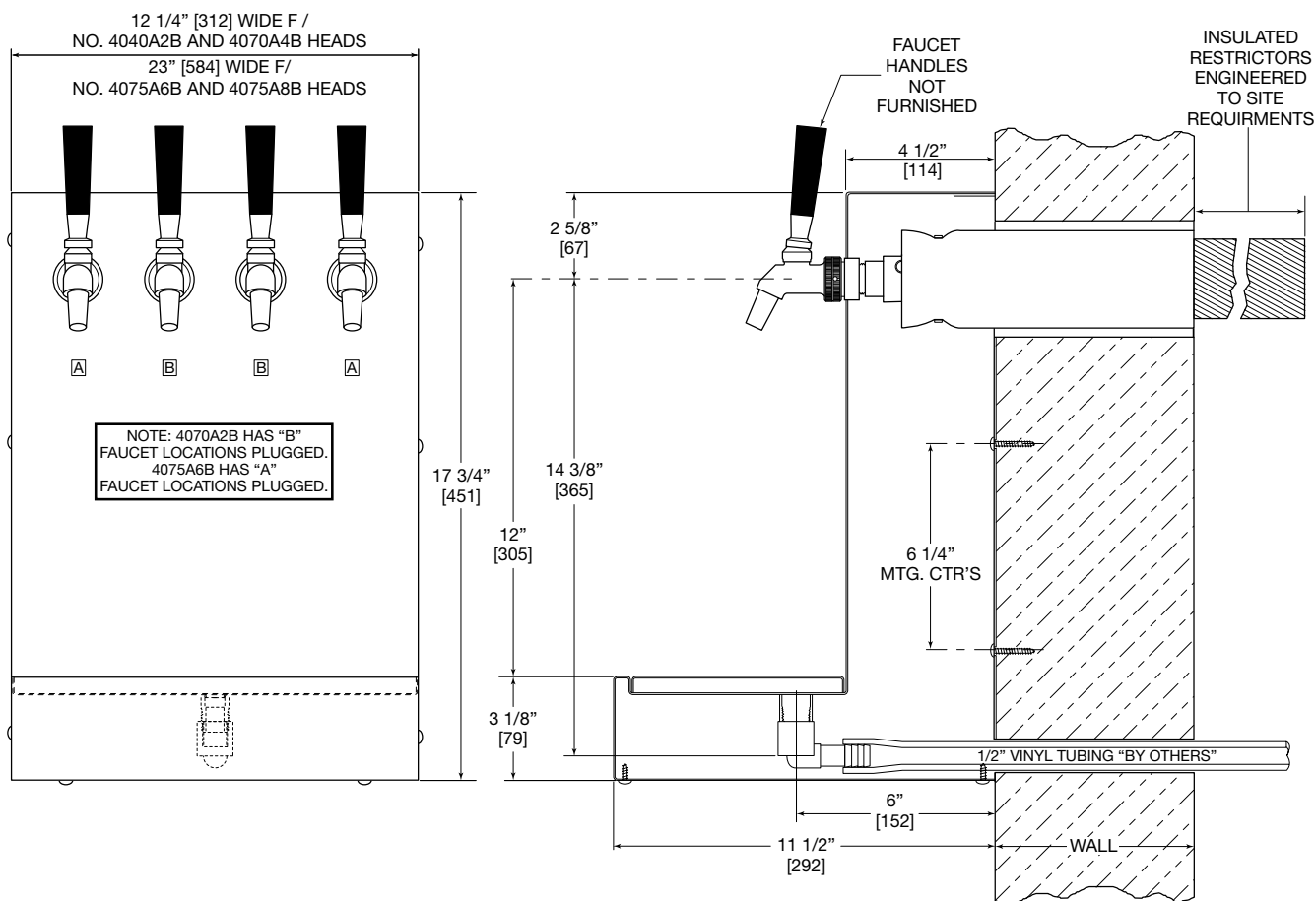


# Sizes and Specifications Wall Mount Dispensing Heads

Job \_\_\_\_\_  
 Area \_\_\_\_\_  
 Item No. \_\_\_\_\_  
 Model No. \_\_\_\_\_

MODEL NOS.	Stainless Steel	4070A2B	4070A4B	4075A6B	4075A8B
NUMBER OF FAUCETS		2	4	6	8
LENGTH INCHES (mm)		12 <sup>1</sup> / <sub>4</sub> " (312)	12 <sup>1</sup> / <sub>4</sub> " (312)	23" (584)	23" (584)
HEIGHT INCHES (mm)		17 <sup>3</sup> / <sub>4</sub> " (451)	17 <sup>3</sup> / <sub>4</sub> " (451)	17 <sup>3</sup> / <sub>4</sub> " (451)	17 <sup>3</sup> / <sub>4</sub> " (451)



8300 West Good Hope Road • Milwaukee, WI 53223 • Phone 414-353-7060 • Fax 414-353-7069  
 Toll Free 800-558-5592 • E-Mail: Perlick@Perlick.com • www.Perlick.com