

Perlick® HIGH TEMPERATURE GLASSWASHER PKHT24



JOB	
AREA	
ITEM NO.	
MODEL NO.	
PKHT24	

- Removes lipstick and other residue for the cleanest glasses
- All stainless steel construction with 16-gauge stainless steel wash tank
- Cleans and sanitizes 600 glasses per hour or 30 racks (20 glasses per 20 x 20 rack)
- Uses only .75 gallons of water per cycle
- Booster heater increases the hot water temperature by 70°F for the three-minute rinse cycle
- Detergent and rinse chemical pumps
- Fresh water rinse through upper and lower arms – rotating arms provide maximum glass surface coverage
- Removable stainless steel pump protection screen for easy cleaning
- Large 11-1/4-inch door opening and raised wash chamber to reduce bending over to remove racks
- Top-mounted controls for easy operation and temperature monitoring
- Comes standard with 6-inch legs to raise height; 4-inch legs available as an option

Available option:

- Second year extended parts and labor warranty (includes one (1) year parts and labor warranty)



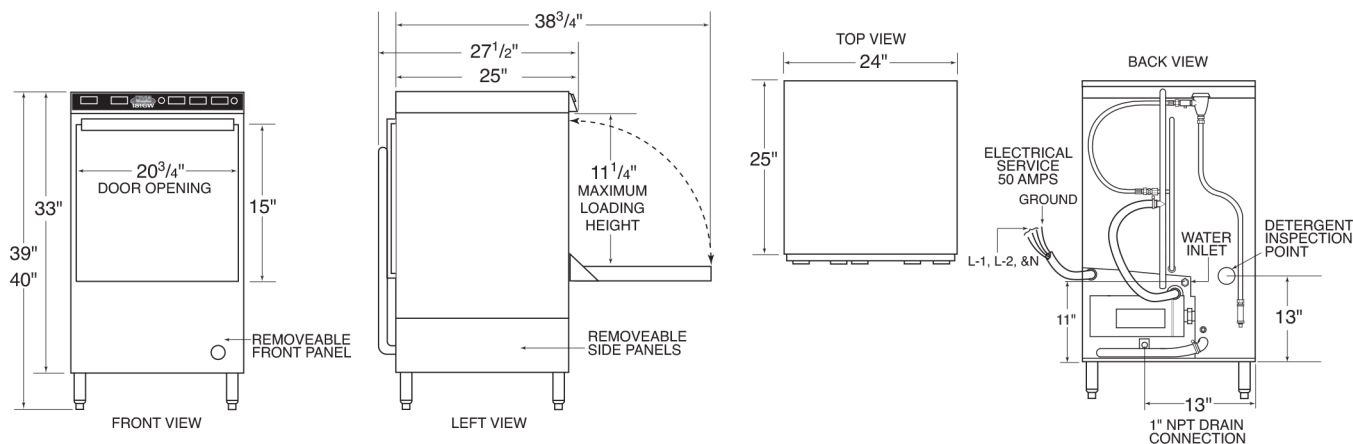
HIGH TEMPERATURE GLASSWASHER

PKHT24

WATER CONSUMPTION, GALLONS (LITERS)	Per Rack	.75 (2.83)
	Per Hour	17.9 (67.6)
OPERATING CYCLE	Wash Time, Seconds	94
	Rinse Time, Seconds	16
	Dwell Time, Seconds	10
	Total Cycle Time	2 Minutes
	OPERATING CAPACITY	Glasses per Hour
	Wash Tank Capacity, Gallons	2.5 (9.46)
	Pump Capacity, Gallons per Minute (lt)	38 (144)
WATER REQUIREMENTS	Required Minimum Temperature*	110°F (43°C)
	Recommended Temperature**	140°F (60°C)
	Water Inlet, Inches (mm)	1/2 NPTM (127)
	Drain Connection, Inches (mm)	1 (254) IPS PVC socket to include an air gap
	Rinse Pressure Set	20 +- 5psi (1.41 kg/cm ²)

CYCLE TEMPERATURES	Wash	150-160°F (65.5-71°C)
	Rinse	180-195°F (82-90°C)
FRAME DIMENSIONS	Depth, Inches (mm)	25 (635)
	Width, Inches (mm)	24 (610)
	Height, Inches (mm)	33-1/4 (845)
	Maximum Clearance For Dishes, Inches (mm)	11-1/4 (286)
	WASH PUMP MOTOR	1 HP NEED
ELECTRICAL RATING	Volts	208 U.S./230 Metric
	Hz	1 PH-60 Hz
	Total Amps	33
Must connect to 50 amp supply circuit.	Booster Heater KW	5.3 kw U.S./ 6.5 kw Metric
This system requires three power wires, which includes a current-carrying neutral wire. An additional fourth wire must be provided for grounding the machine.		
APPROXIMATE SHIPPING WEIGHT, Lbs. (kg)	234 (106)	

* For machine having Safety-Temp feature
 ** For faster heat recovery



Warning: Electrical and plumbing connections must be made by a qualified service person who complies with all federal, state and local health, electrical, plumbing and safety codes.