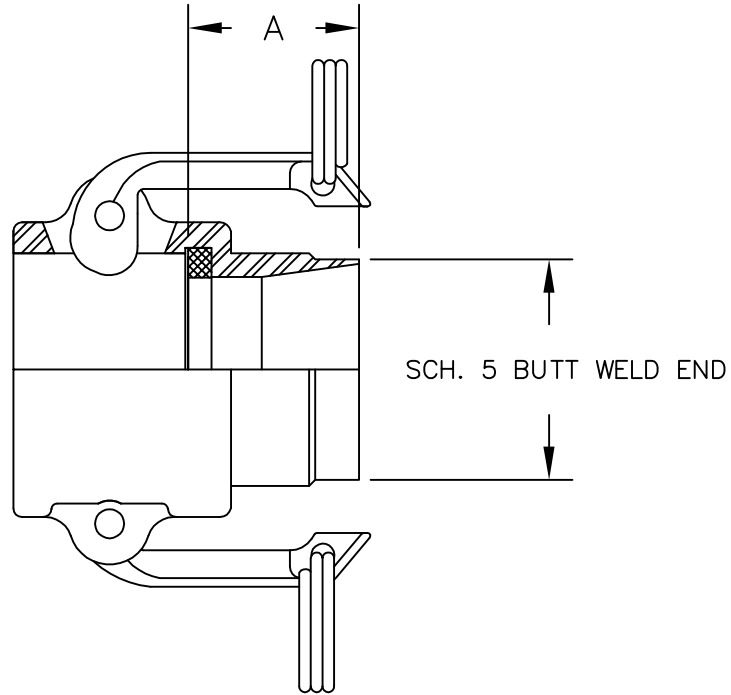


COUPLER – FEMALE CAM-LOCK WITH
SCH. 5 BUTT WELD END



MATERIAL: 304SS
GASKET: BLACK EPDM

SIZE	ASSEMBLY PART NO.	"A"	GASKET PART NO.
1/2"	F30530SS530	7/8"	F30635-1
3/4"	F30328SS530	1"	F30635-2
1"	F22674SS530	1-3/16"	F30635-3
1-1/4"	F30957SS530	1-7/16"	F30635-4
1-1/2"	F22675SS530	1-3/8"	F30635-5
2"	F22676SS530	1-7/16"	F30635-6
2-1/2"	F22677SS530	1-9/16"	F30635-7
3"	F22678SS530	1-11/16"	F30635-8
4"	F22679SS530	2-1/16"	F30635-9
6"	F25923SS530	2-1/8"	F30635-11

MARCH 2012

PERLICK CORP.
MILWAUKEE , WISCONSIN