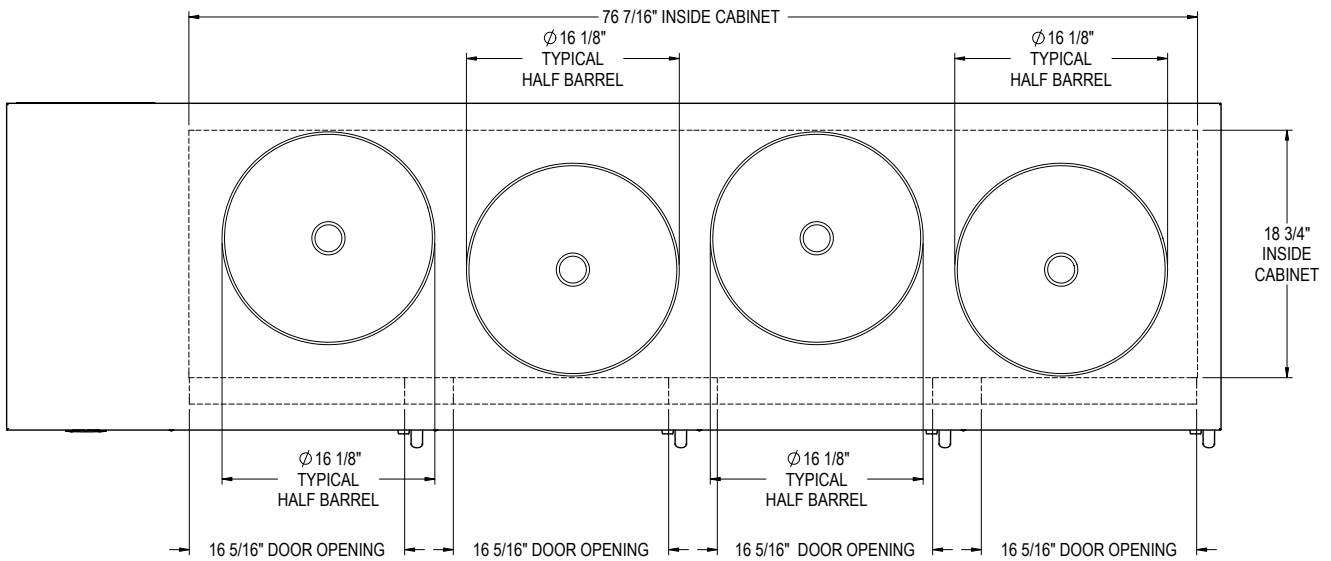
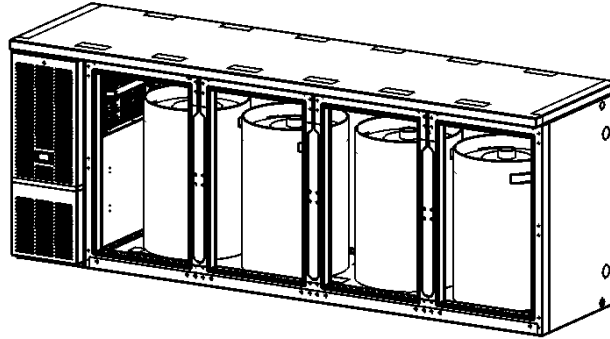




KEG CAPACITY OF NARROW FOUR-DOOR CABINETS

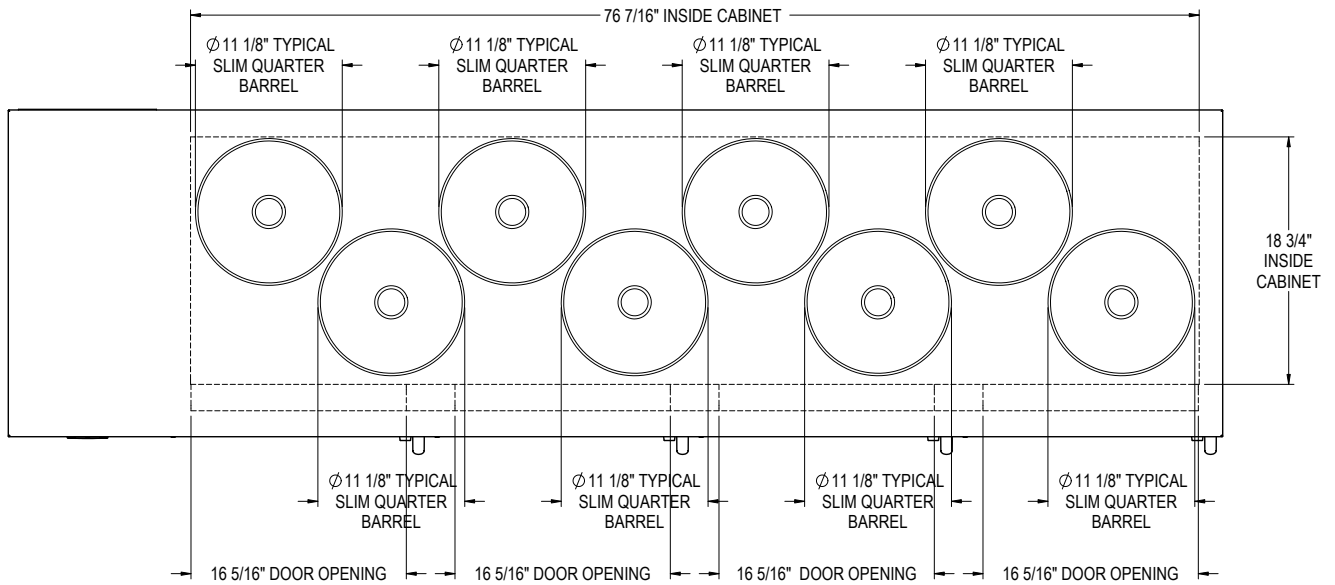
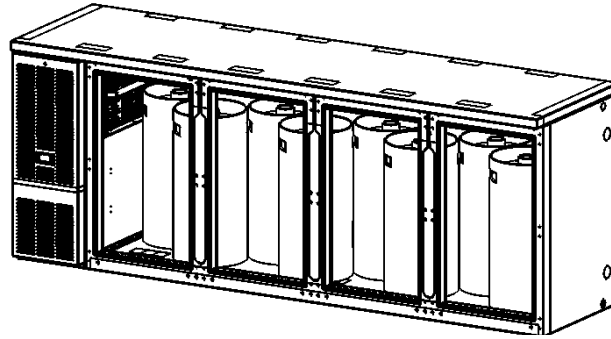
KEG CAPACITY OF NARROW 4 DOOR CABINETS





KEG CAPACITY OF NARROW FOUR-DOOR CABINETS

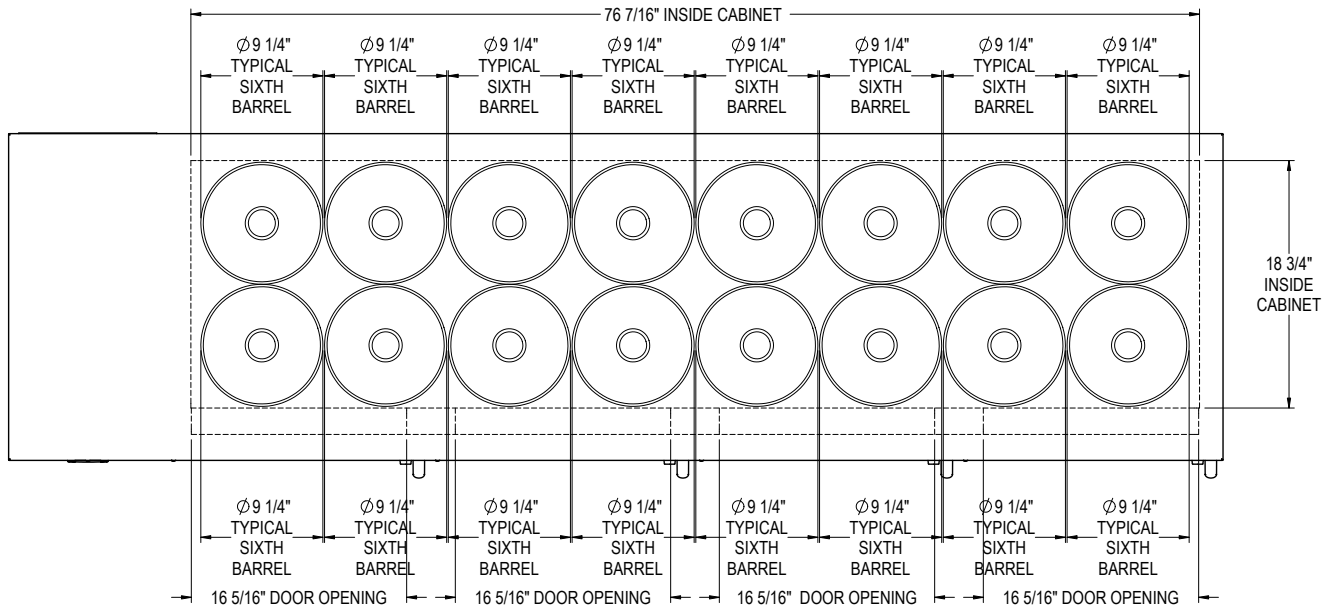
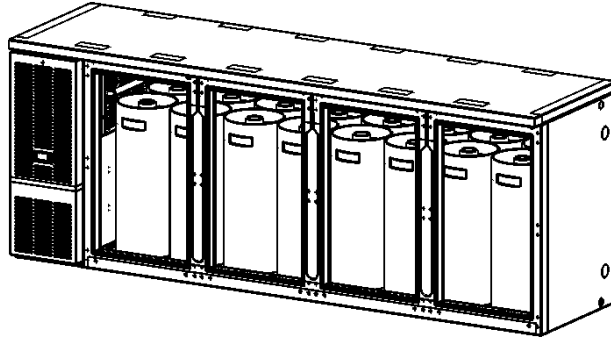
KEG CAPACITY OF NARROW 4 DOOR CABINETS





KEG CAPACITY OF NARROW FOUR-DOOR CABINETS

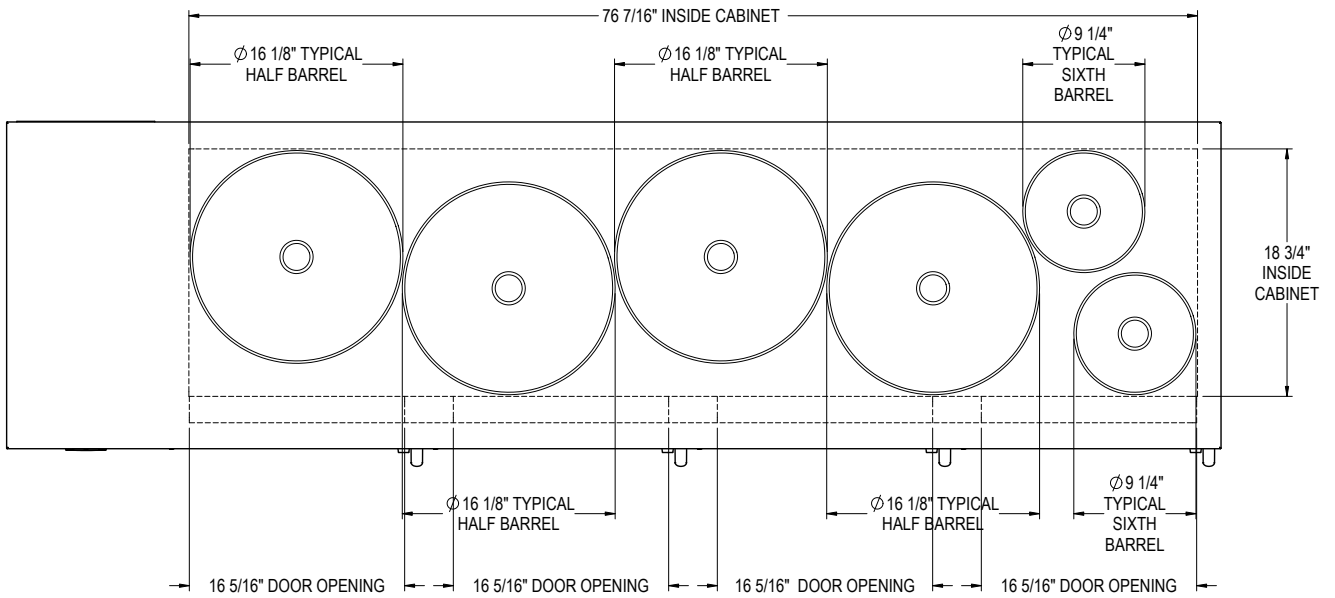
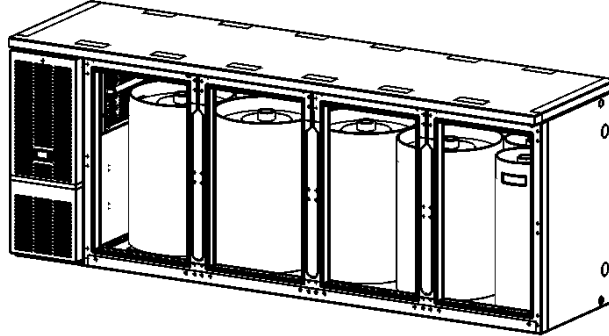
KEG CAPACITY OF NARROW 4 DOOR CABINETS





KEG CAPACITY OF NARROW FOUR-DOOR CABINETS

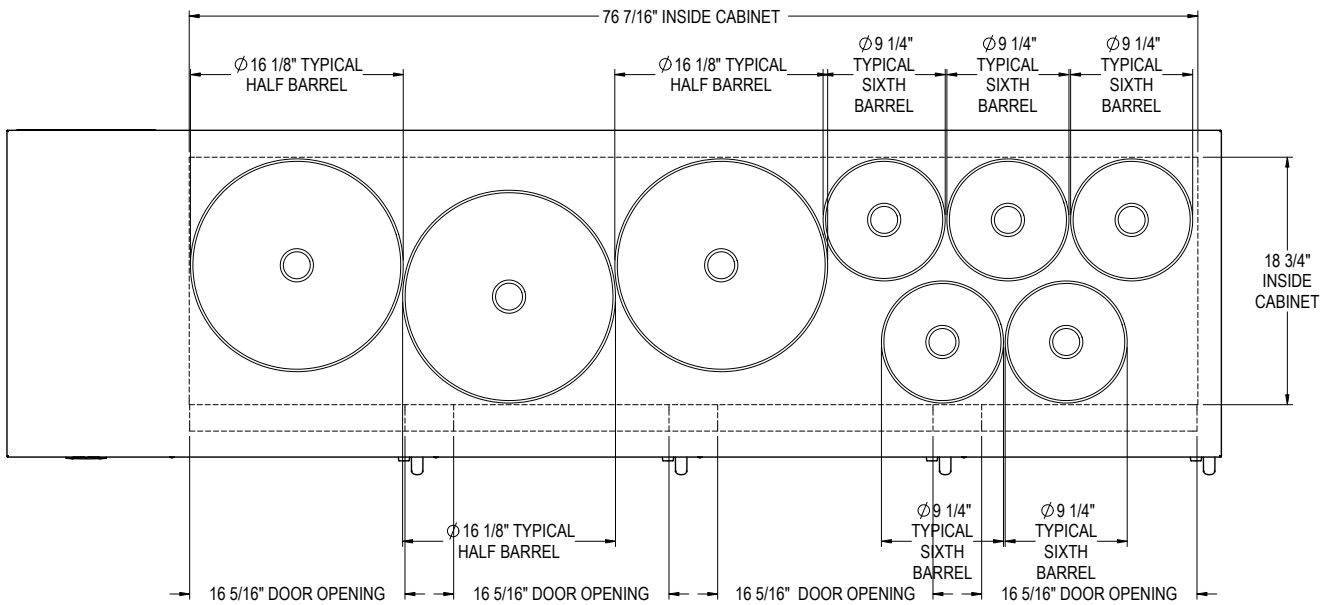
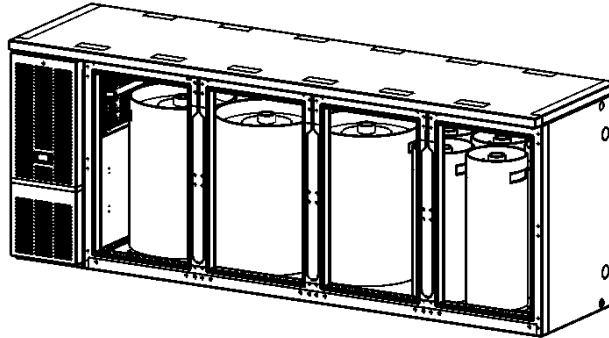
KEG CAPACITY OF NARROW 4 DOOR CABINETS





KEG CAPACITY OF NARROW FOUR-DOOR CABINETS

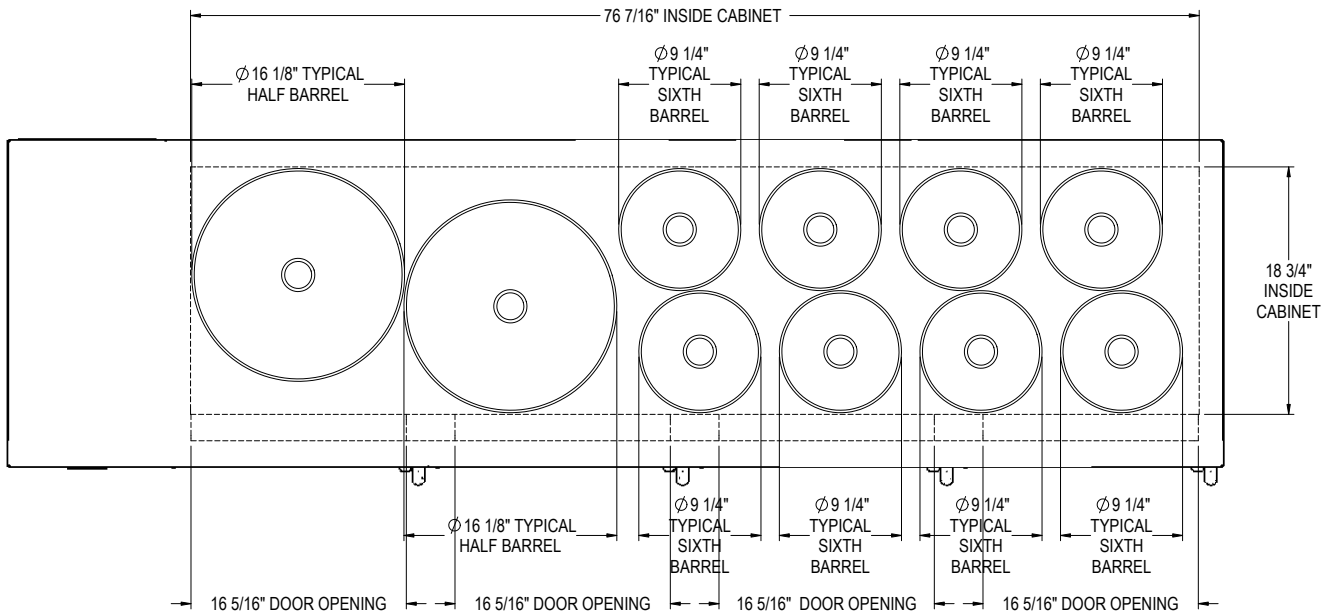
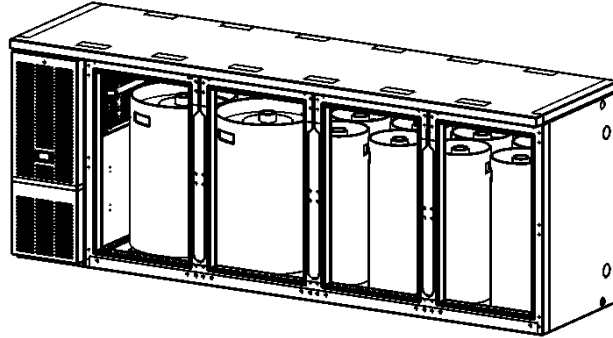
KEG CAPACITY OF NARROW 4 DOOR CABINETS





KEG CAPACITY OF NARROW FOUR-DOOR CABINETS

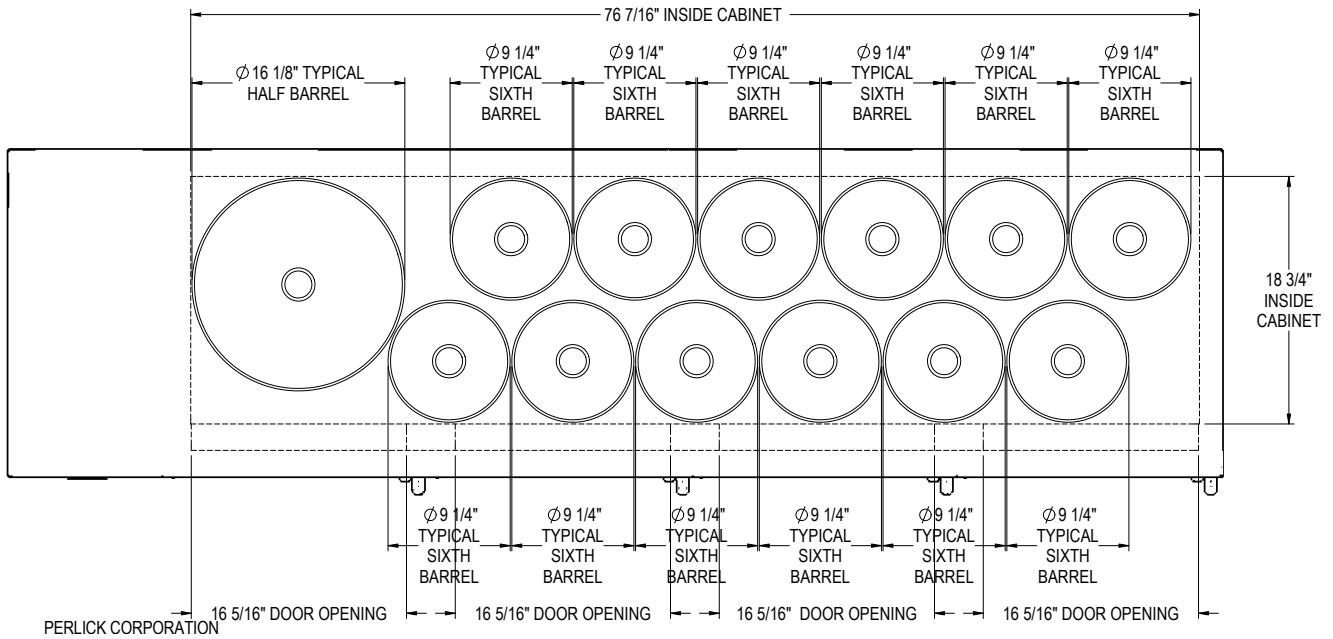
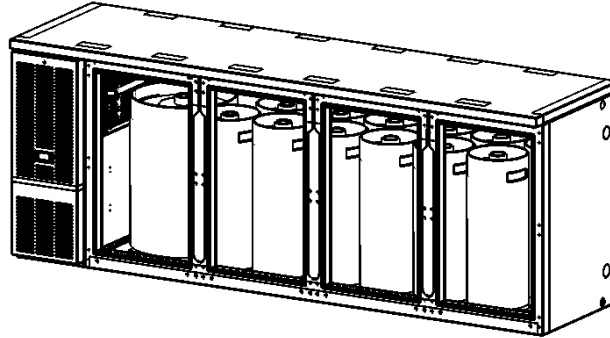
KEG CAPACITY OF NARROW 4 DOOR CABINETS





KEG CAPACITY OF NARROW FOUR-DOOR CABINETS

KEG CAPACITY OF NARROW 4 DOOR CABINETS





KEG CAPACITY OF NARROW FOUR-DOOR CABINETS

72IN DIRECT DRAW COMMERCIAL CABINET, KEG LAYOUT

