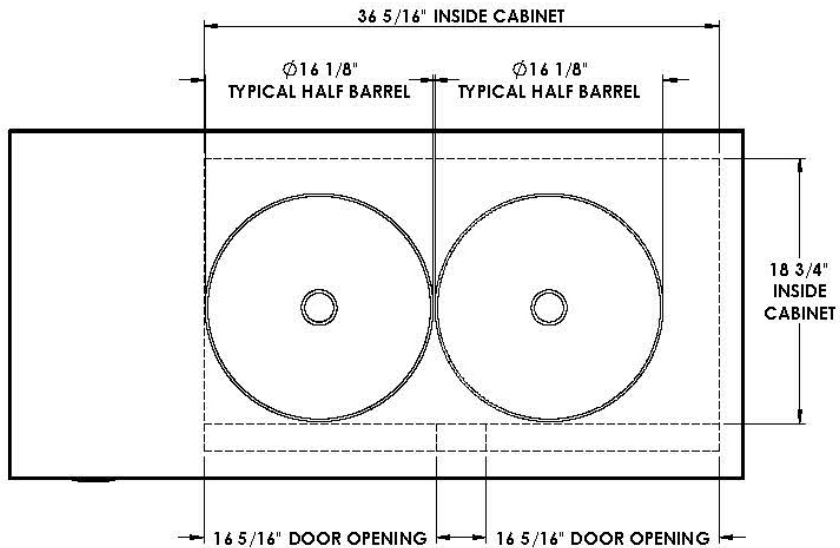
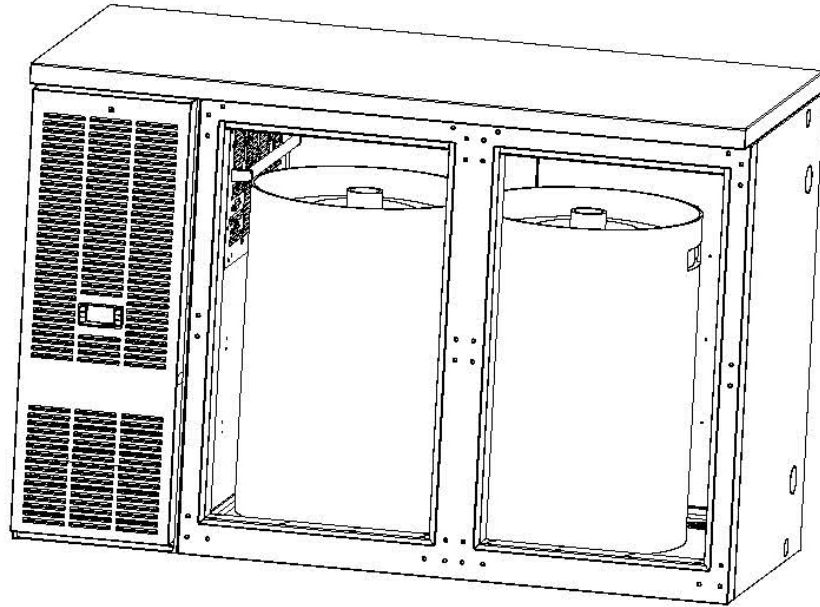




KEG CAPACITY OF NARROW 2-DOOR CABINETS

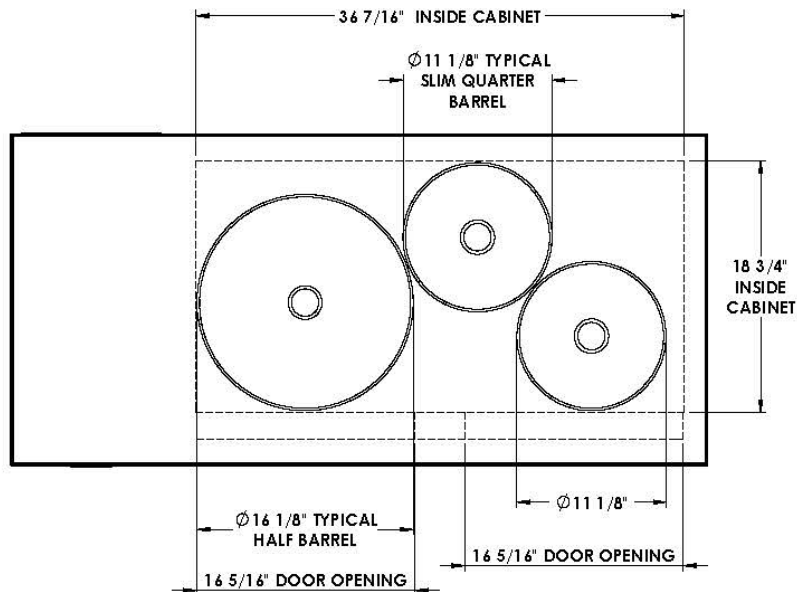
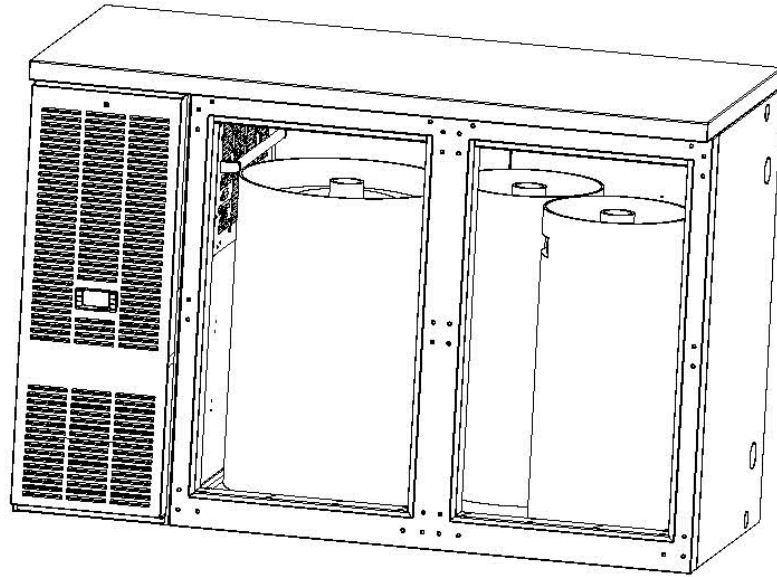
# KEG CAPACITY OF NARROW 2 DOOR CABINETS (2 HALF BARRELS )





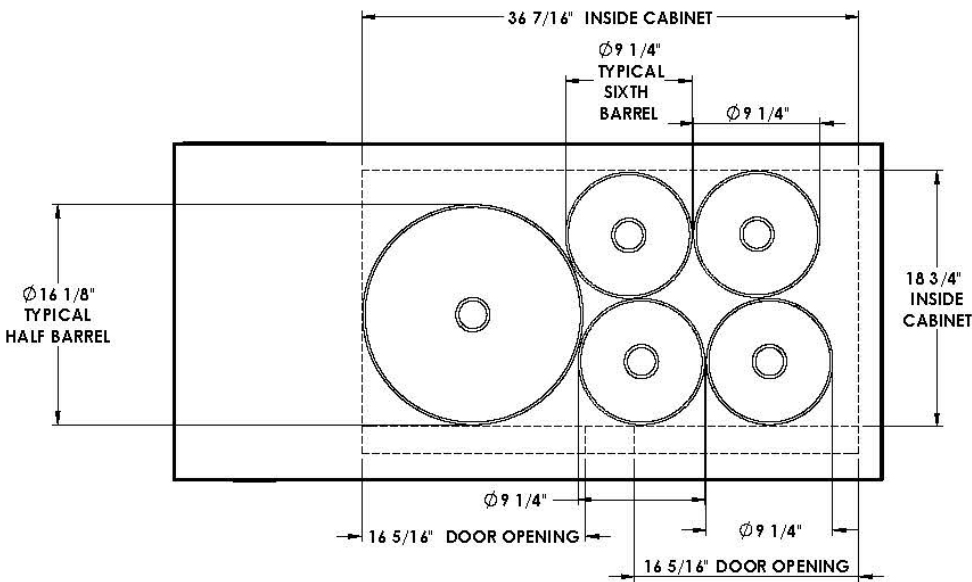
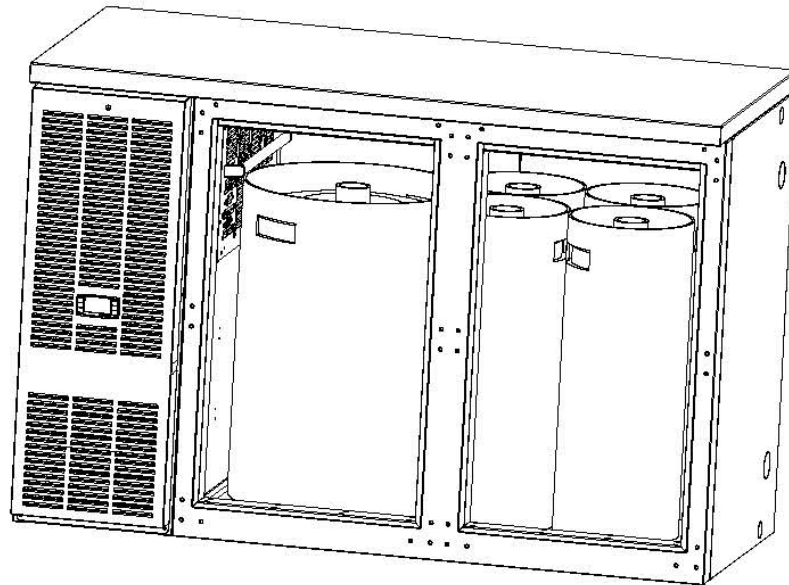
KEG CAPACITY OF NARROW 2-DOOR CABINETS

**KEG CAPACITY OF NARROW 2 DOOR CABINETS**  
**(1 HALF, 2 SLIM QUARTER BARRELS )**



**Perlick®** KEG CAPACITY OF NARROW 2-DOOR CABINETS

# KEG CAPACITY OF NARROW 2 DOOR CABINETS (1 HALF BARREL, 4 SIXTH BARRELS)





KEG CAPACITY OF NARROW 2-DOOR CABINETS

# KEG CAPACITY OF NARROW 2 DOOR CABINETS (4 SLIM QUARTER BARRELS )

