

Perlick® 18" SHALLOW-DEPTH SERIES SINGLE DOOR REFRIGERATOR/WINE RESERVE



JOB	
AREA	
ITEM NO.	
MODEL NO.	

MODELS	
HD24RS4	
HD24WS4	



HD24RS4
Shown with Solid Stainless Steel Door (S)



HD24RS4
Shown with Glass with Stainless Steel Frame Door (S)



HD24WS4
Shown with Glass with Stainless Steel Frame Door (S)

Perlick Features

- Exclusive 18" Deep shallow depth perfect for locations with tight access
- ADA Compliant controls & height designed to fit under ADA height counter tops
- Full Extension, smooth glide shelving gives easy access to product and faster, more ergonomic product loading
- Open shelf design allows cold air to surround product reducing temperature variation in the cabinet and extending product life
- 525 BTU/hr fast pull down of product to serving temperature
- Ultra-quiet & energy efficient smart compressor. Compressor ramps up as additional cooling is needed maximizing energy savings while decreasing pull down time
- Smart defrost cycle runs only when needed, increasing energy efficiency over standard systems
- All stainless steel interior ensures consistent cabinet temperature & hygienic easy to clean environment that will not absorb odors over time
- NSF Rated digital controller allows for precision temperature setting & features an audible door alarm, alerting the operator if an intrusion will not allow the door to close
- Precision temperature control held to within 1 degree of set point
- All stainless steel wine shelves ensures zero off gassing or odor absorption Accessory wood front available to match custom overlays
- 2" Foamed-in-place-eco-friendly insulation provides energy savings with zero ozone depletion Selectable white or blue LEDs provide crisp line of sight to product
- Solid and uv-coated glass door options available in both stainless steel or black vinyl finish. Black vinyl door panels can easily be removed to allow a custom wood overlay to be applied. Custom door panels are customer supplied see perlick.com for door overlay templates
- Multiple handle, legs, and caster options available
- Field reversible door allows for easy replacement or re-purposing
- Door lock optional
- NSF 7 rated for canned and bottle beverage storage
- No plumbing required
- 1 Year Warranty, 5 Year Compressor Warranty

Form No. Z2366
Rev. 07.21.2020



**18" SHALLOW-DEPTH SERIES
SINGLE DOOR REFRIGERATOR/WINE RESERVE**

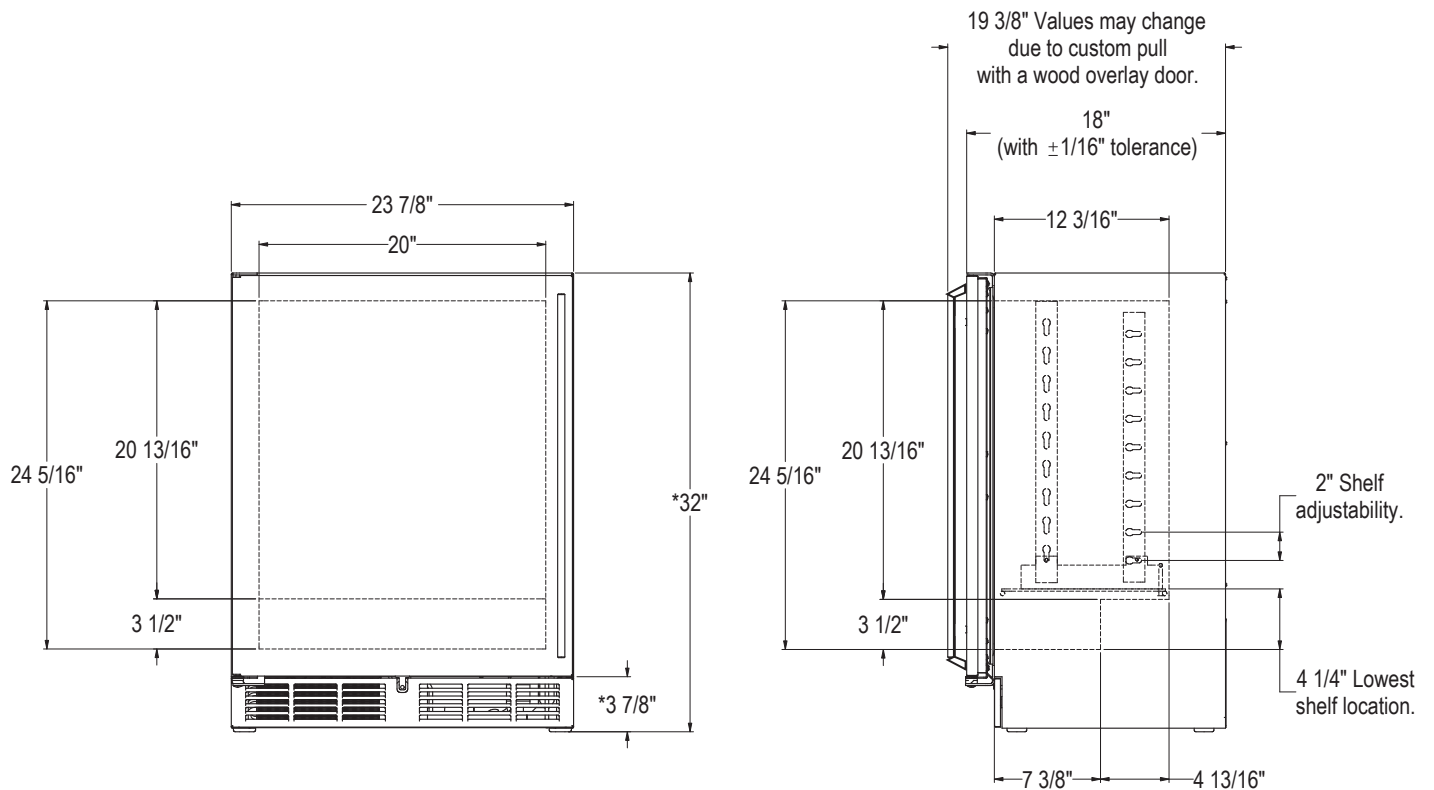
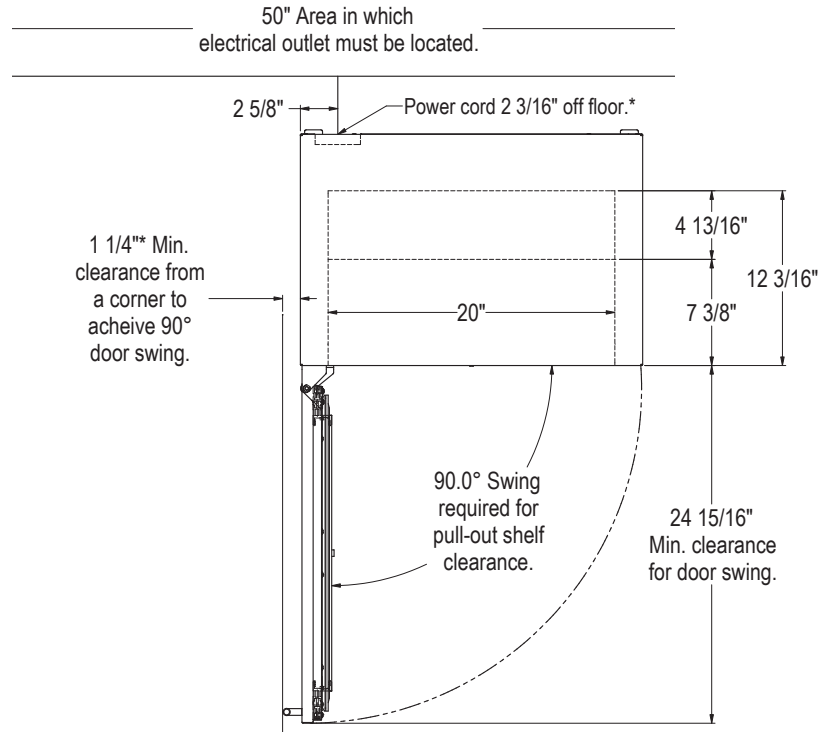
MODEL NO.		HD24RS4	HD24WS4
CABINET DIMENSIONS	Length Ins. (mm)	23-7/8" (606)	23-7/8" (606)
	Depth Ins. (mm)	18" (457)	18" (457)
	Height Ins. (mm)	32" (813)	32" (813)
SHIP WEIGHT LBS. (KG)		185 (83)	185 (83)
CAPACITY CU. FT. (L.)		3.1 (88)	3.1 (88)
SHELVING		2 black vinyl-coated full-extension shelves (adjustable)	4 black vinyl-coated full-extension wine shelves (adjustable). Each wine shelf holds 5 (750 ml) wine bottles.
CABINET CONSTRUCTION (INT.)		Interior Stainless Steel	
CABINET CONSTRUCTION (EXT.)		Exterior Sides, Exterior Top Stainless Steel Exterior Back Galvanized Door Exterior Customer Choice (see below under 'Customer Options')	
CABINET INSULATION		Polyurethane-Ecomate. Wall Thickness-2" Door, Drawer Thickness-2" (solid stainless steel only)	
DOORS, HINGING & HARDWARE		Number of Doors 1 Opening Style Hinged (Left or Right) Door Style Solid or Glass Door Swing Clearance 25" (635) Locks Available (factory installed)	
CONDENSING UNIT		Condenser Access Front	
REFRIGERATION		Refrigerant R600a (50g) Expansion Device Capillary Tube Type w/ Hermetic Compressor	
HEAT REJECTION AT 75°F AMBIENT		350 BTU/hr	
PULL DOWN CAPACITY		525 BTU/hr	
PLUMBING		None required. Moisture drains to self evaporating condensate pan	
ELECTRICAL		Electrical Supply 115V/60 Hz/1 Phase Running Load Amps 1.6 Cord Connection Cord Connected (3-prong 6' NEMA 5-15P) Thermostat Electro-Mechanical Lighting Type Incandescent	
TEMPERATURE SETTINGS F°(C°)		Temp. Range 34° (1.1°) - 42° (5.6°) Factory Temp. Setting 36°(2.2°)	Temp. Range 40° (4.4°) - 68° (20°) Factory Temp. Setting 55° (12.8°)
CUSTOMER OPTIONS		Door Finishes Black Vinyl/Field Laminate (B), Stainless Steel (S), Glass w/ Black Vinyl/Field Laminate (G), Glass w/ Stainless Steel Frame (T), Black Vinyl/Field Laminate Drawers (D) Door Handle Options 24" full length stainless steel, Classic 6" chrome w/black vinyl grip, tab handle (top mount, stainless steel) <i>NOTE: Glass option not available for freezer</i>	
ADDITIONAL ACCESSORIES		Door Locks (Castors and Legs: Not Applicable)	

*Product capacity based on 12 oz. long neck bottles (Refrigerator), 3" diameter glass size (Freezer) and 750 ml. wine bottles (Wine Reserve)

NOTE: This equipment is intended for the storage and display of non-potentially hazardous bottled or canned products only!



18" SHALLOW-DEPTH SERIES
SINGLE DOOR REFRIGERATOR/WINE RESERVE



California Prop 65 Notice:



WARNING: The materials used in this product may contain chemicals known to the State of California to cause cancer and birth defects or other reproductive harm, For more information go to www.P65Warnings.ca.gov.

Form No. Z2366
 Rev. 07.21.2020