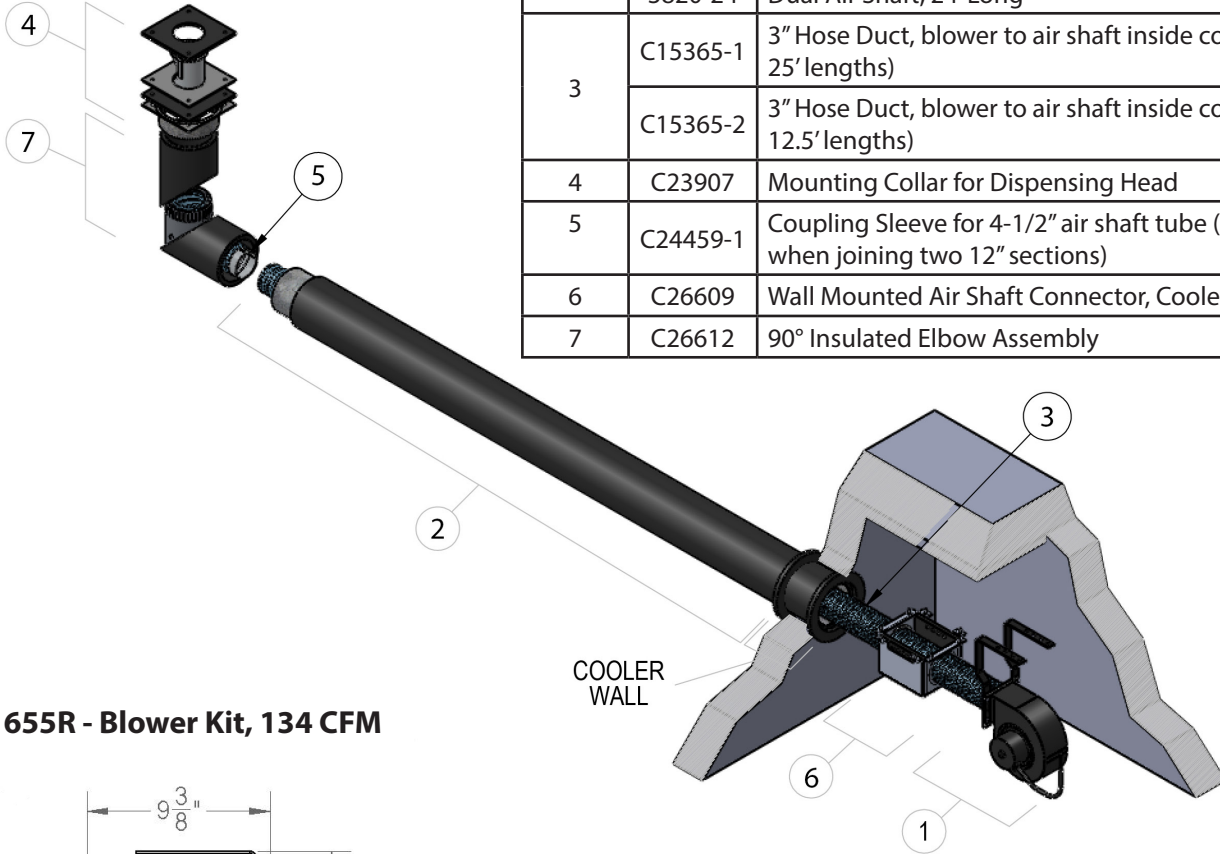
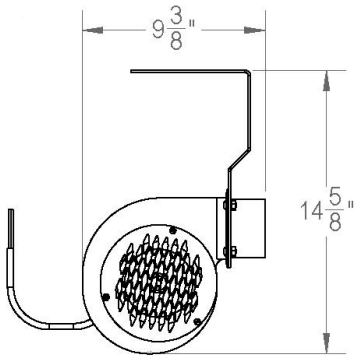


Perlick® DUAL AIR SHAFT PARTS

1	1655R	Blower Kit, 134 CFM
2	3820-12	Dual Air Shaft, 12' Long
	3820-24	Dual Air Shaft, 24' Long
3	C15365-1	3" Hose Duct, blower to air shaft inside cooler (sold in 25' lengths)
	C15365-2	3" Hose Duct, blower to air shaft inside cooler (sold in 12.5' lengths)
4	C23907	Mounting Collar for Dispensing Head
5	C24459-1	Coupling Sleeve for 4-1/2" air shaft tube (1 required when joining two 12" sections)
6	C26609	Wall Mounted Air Shaft Connector, Cooler (1 Required)
7	C26612	90° Insulated Elbow Assembly

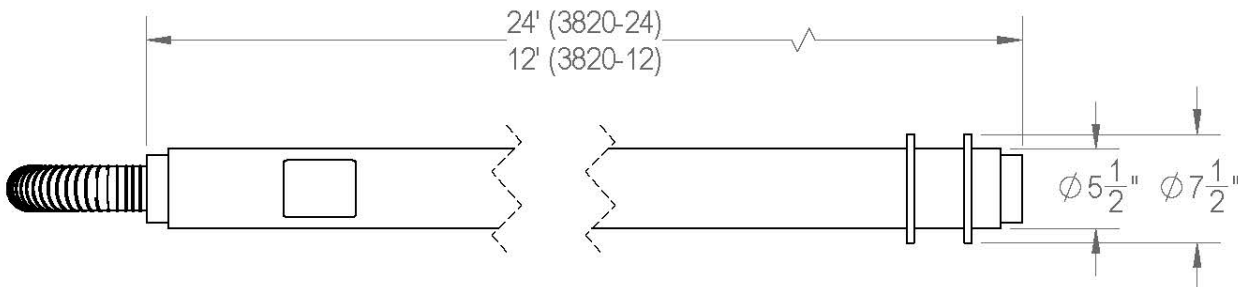


1655R - Blower Kit, 134 CFM



MOTOR SPECIFICATIONS	
Motor Type	Thermally Protected UL Continuous Duty Motor
Running Load Amps	0.65
CFM Air	1,500
Electrical Supply	120 VAC/60/50 Hz/1 Ph - (motor has 18 awg wire leads)

3280-12 - Dual Air Shaft, 12' Long
3280-24 - Dual Air Shaft, 24' Long

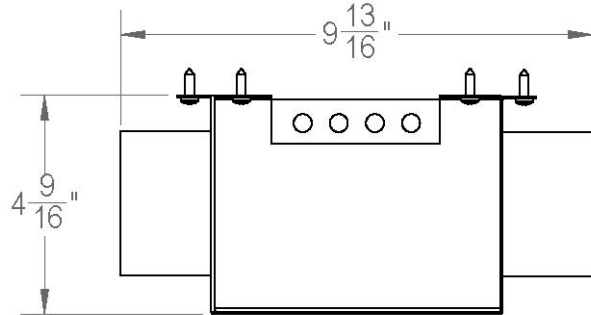
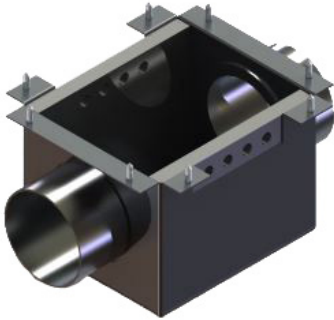


Form No. Z2485
 Rev. 07.20.2017

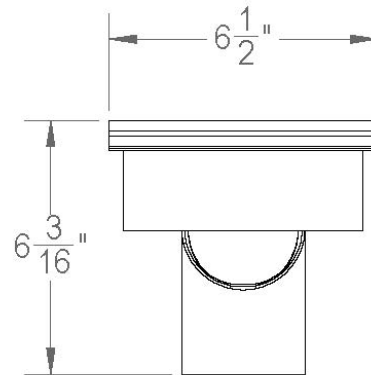


DUAL AIR SHAFT PARTS

C26609 - Wall Mounted Air Shaft Connector, Cooler



C23907 - Mounting Collar for Dispensing Head



C26612 - 90° Insulated Elbow Assembly (2 Max. Per Run)

NOTE: Required if inside bend radius is less than 14"

