

Perlick® DROP-IN ICE CREAM FREEZER



| | |
|-----------|--|
| JOB | |
| AREA | |
| ITEM NO. | |
| MODEL NO. | |

| |
|-----------------------|
| MODEL |
| DROP-IN SERIES |
| 8000A |



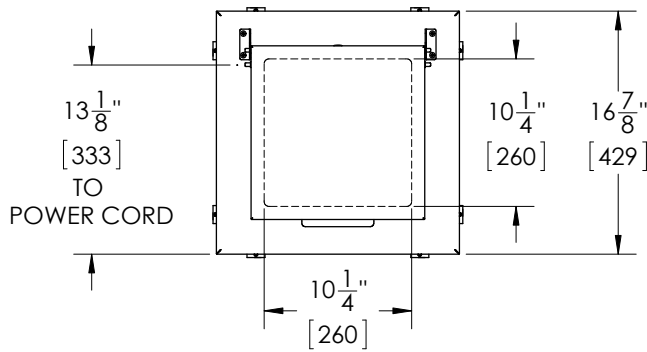
Perlick Features

- Mounts into countertop - required cut out dimension is 16" x 16"
- Fits in Perlick Ice Cream Center underbar module TS(D)24DC-A
- 20 gauge stainless steel top and removable hinged door lid
- 3 gallon capacity
- Includes 8' electrical cord
- Temperature range: - 20 ° to + 10 ° F
- Factory set to the optimal ice cream serving temperature of 0 ° F



DROP-IN ICE CREAM FREEZER

| | |
|-------------------------------------|---|
| MODEL NOS. | 8000A |
| CAPACITY | 3 Gallons |
| HEIGHT in. [mm] | 26-3/8" [670] |
| WIDTH in. [mm] | 16-7/8" [429] |
| DEPTH in. [mm] | 16-7/8" [429] |
| SHIP WEIGHT lbs. [kg] | 90 [41] |
| COMPRESSOR H.P. | 1/5 h.p. |
| AMPS | 0.8 |
| INTERIOR in. [mm] | Well dimensions: 13" [330] H x 10-1/4" [260] W x 10-1/4" [260] D |
| EXTERIOR in. [mm] | 20 gauge stainless steel top and removable hinged door lid |
| ELECTRICAL | 115 volt, 60 hz, 1 phase AC. Furnished with eight foot rubber cord. Running load: 0.8 amps. |
| REFRIGERANT & CHARGE [g] | R134a 5.25 oz. [149] |



**REQUIRED CUT-OUT SIZE:
16" X 16" [407 X 407]**

