



**SELF-CONTAINED DIRECT DRAW CONCESSIONAIRE  
2- AND 3-DOOR**



eco friendly  
R290 Hydrocarbon Refrigerant

JOB	
AREA	
ITEM NO.	
MODEL NO.	

DDC68	2-Door Model
DDC92	3-Door Model

Note: NSF/ANSI Standard 7 Listed for the storage and display of bottled or canned products only.

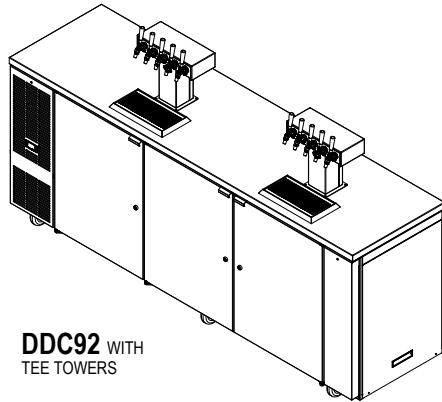
DDC92 shown with optional Draft Arm Towers.  
6 1/8" casters included.

MODEL NUMBERS		DDC68	DDC92
<b>NUMBER OF DOORS</b>		2	3
<b>EXTERIOR CABINET DIMENSIONS</b>	Length - in. (mm)	68 (1727)	92 (2337)
	Depth - in. (mm)	24 3/4 (629)	24 3/4 (629)
	Height - in. (mm)	34 1/6 (878)	34 1/6 (878)
<b>INTERIOR CABINET DIMENSIONS</b>	Length - in. (mm)	44 (1118)	68 (1727)
	Depth - in. (mm)	18 3/4 (476)	18 3/4 (476)
	Height - in. (mm)	28 1/2 (724)	28 1/2 (724)
<b>* INTERNAL VOLUME, Net. Cu. Ft. (Litres)</b>		16 (453)	24.8 (702)
<b>MATERIALS</b>		All stainless steel: Front, back, top and sides	
<b>SHIPPING WEIGHT, Lbs. (kg.)</b>		365 (165)	515 (233)
<b>ELECTRICAL SPECIFICATIONS</b>	<b>Electrical Supply</b>	120 VAC/60 Hz/1 Ph	120 VAC/60 Hz/1 Ph
	<b>Running Load Amps</b>	2.5	4.2
	<b>Electrical Connection</b>	Cord connected	Cord connected
	<b>Cord Plug Type</b>	NEMA 5-15	NEMA 5-15
	<b>Cord Length</b>	8'	8'
	<b>Defrost Initiation</b>	Automatic	Automatic
	<b>Defrost Type</b>	Off cycle	Off cycle
	<b>Thermostat</b>	Digital control	Digital control
<b>REFRIGERATION SPECIFICATIONS</b>	<b>Horsepower</b>	1/5	1/4
	<b>Refrigerant</b>	R290	R290
	<b>Refrigerant Charge (grams)</b>	100	90
	<b>Factory Temperature Setting-Refrigerator F (C)</b>	38° (3.3°)	38° (3.3°)
	<b>Temperature Range-Refrigerator F (C)</b>	33°-40° (0.5°-4.5°)	33°-40° (0.5°-4.5°)
	<b>Condensing Unit Location</b>	Left	Left
	<b>Expansion Device</b>	Capillary tube	Capillary tube
	<b>Pull Out Condensing Unit</b>	Yes	Yes
	<b>Front Vented</b>	Yes	Yes
<b>PLUMBING</b>	<b>Floor Drain Included</b>	Yes	Yes
	<b>Evaporator Condensate</b>	Automatically	Automatically

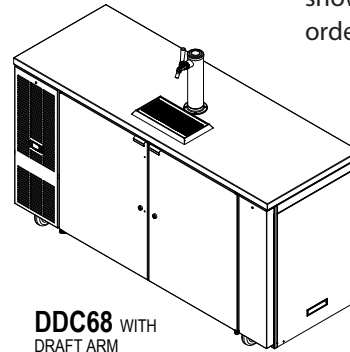
\* Note: For keg capacities and layouts, go to [www.perlick.com](http://www.perlick.com).



**SELF-CONTAINED DIRECT DRAW CONCESSIONAIRE**  
2- AND 3-DOOR

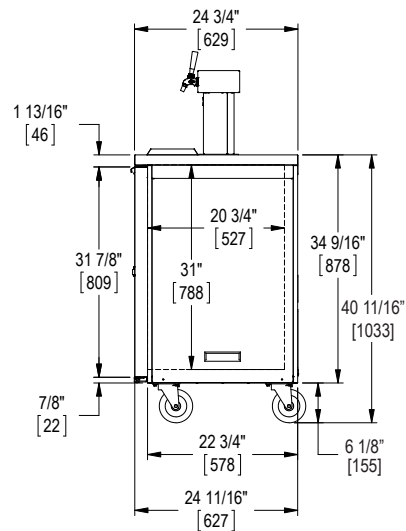
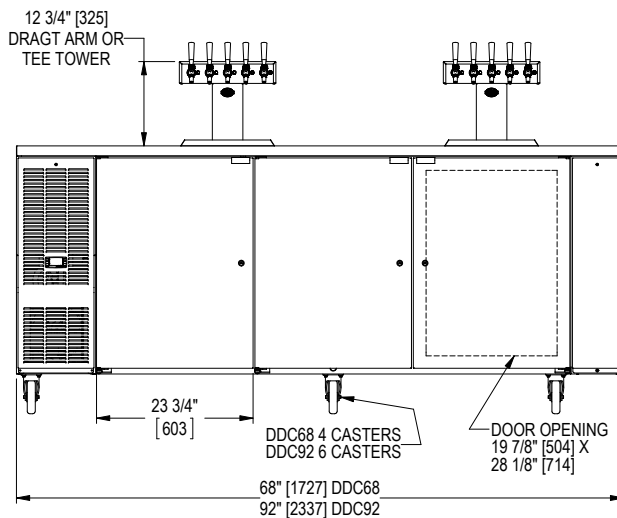
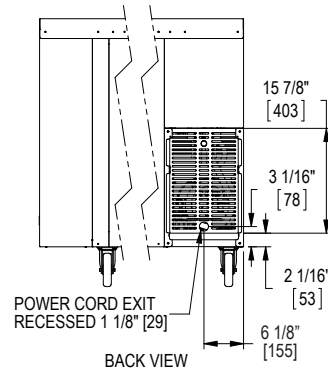
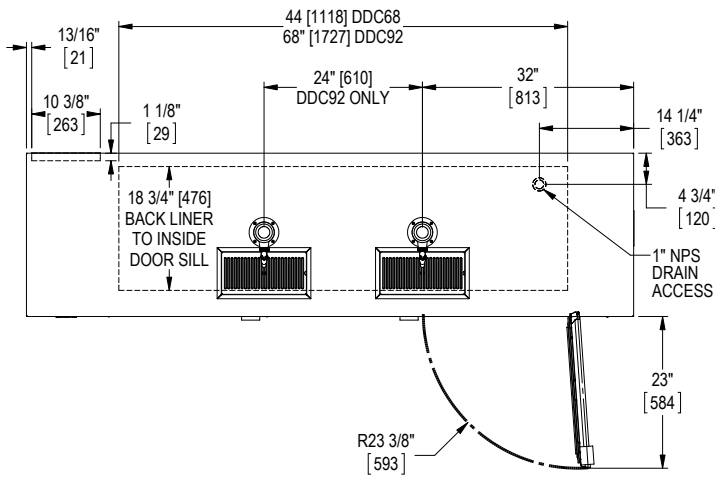


**DDC92** WITH TEE TOWERS



**DDC68** WITH DRAFT ARM

**Note:** All Dispensing Towers shown are optional and must be ordered separately.



**California Prop 65 Notice:**



**WARNING:** The materials used in this product may contain chemicals known to the State of California to cause cancer and birth defects or other reproductive harm, For more information go to [www.P65Warnings.ca.gov](http://www.P65Warnings.ca.gov).

Form No. 95170  
Rev. 12.18.2018