

Perlick® UNDERBAR SINKS
18" BLENDER STATION WITH SINK



JOB	
AREA	
ITEM NO.	
MODEL NO.	

MODELS	
TS Series	TSD Series
TS18BLW	TSD18BLW



ASME A112.19.3/CSA B45.4
NSF/ANSI 2

Perlick Features

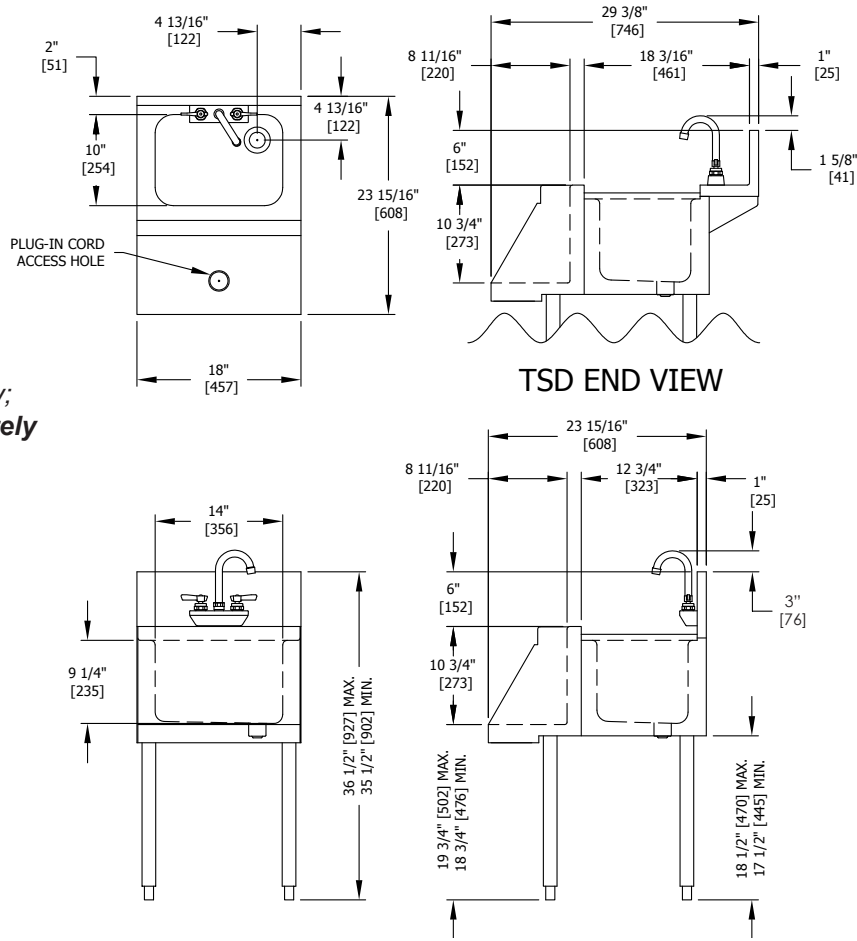
- Deep drawn stainless steel bowl.
- NSF listed, commercial grade hot/cold water faucet (must be ordered separately).
- Underside is sound-deadened.
- Convenient front-mounted shelf with access hole for electrical cord.
- Stainless steel legs install without tools and have “Rust Free” Thermoplastic feet.



UNDERBAR SINKS

18" BLENDER STATION WITH SINK

MODEL NOS.	TS(D)18BLW
LENGTH IN. (mm)	18" (457)
SHIP WT. lbs. (kg)	60 (27)
TOP & SHELF	Stainless steel. Shelf includes access hole for plug-in cord
BACK & BOTTOM	Stainless steel
BACKSPLASH	Stainless steel 6" high (4" high optional) with 1" return at top, mechanically fastened and sealed with steel support brackets. TSD Series: Stainless steel rear deck.
LEGS	1-5/8" tubular, stainless steel with 1" adjustable thermoplastic foot.
BOWL	Stainless steel with sound deadening. All horizontal and vertical edges 1-1/2" radius with balled corners. Furnished with 1-1/2" stainless steel drain socket and 8-1/2" stand pipe. 10" x 14" x 9-1/4" deep.
WATER FAUCET	Chrome plated, hot and cold, goose-neck faucet. Heavy-duty all brass construction. Must be ordered separately. Lead free faucet also available.
PLUMBING	Drain-connection- 1-1/2" NPS Male. Hot and cold water connection: TS Series: 3/8" O.D. copper supply tubes. TSD Series: 1/2" IPS shanks and nuts.
ELECTRIC	Duplex outlet included, but not installed.



**Faucet shown for clarity; must be ordered separately*