



REMOTE NARROW DOOR BACK BAR REFRIGERATOR
2-, 3- AND 4-DOOR



BBRN40 shown



JOB	
AREA	
ITEM NO.	
MODEL NO.	

BBRN40	2-Door Model
BBRN60	3-Door Model
BBRN80	4-Door Model

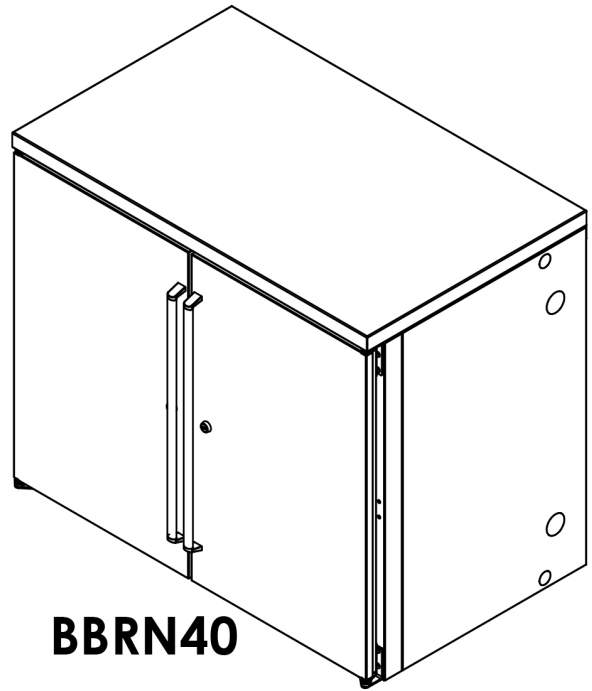
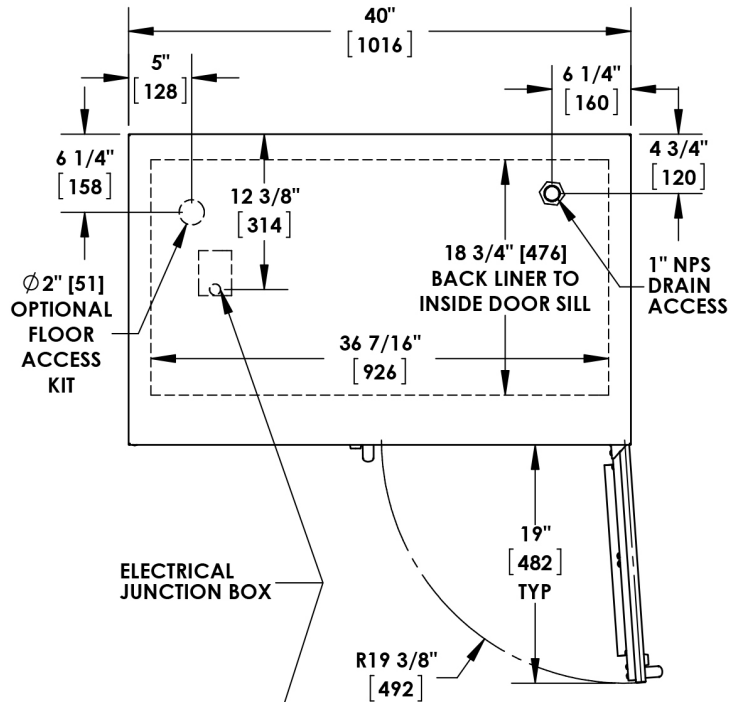
NSF/ANSI Standard 7 Listed for open food storage.
Note: Models furnished with wine temperature are listed for the storage and display of bottled and canned products only.

MODEL NUMBERS		BBRN40	BBRN60	BBRN80
NUMBER OF DOORS		2	3	4
EXTERIOR CABINET DIMENSIONS	Length - in. (mm)	40 (1016)	60 (1524)	80 (2032)
	Depth - in. (mm)	24¾ (629)	24¾ (629)	24¾ (629)
	Height - in. (mm)	34⅞ (878)	34⅞ (878)	34⅞ (878)
INTERIOR CABINET DIMENSIONS	Length - in. (mm)	36⅞ (926)	56⅞ (1434)	76⅞ (1942)
	Depth - in. (mm)	18¾ (476)	18¾ (476)	18¾ (476)
	Height - in. (mm)	31 (787)	31 (787)	31 (787)
INTERNAL VOLUME Net. Cu. Ft. (Litres)		12.0 (340)	19.0 (538)	26.8 (759)
PRODUCT CAPACITY	CASE PACKED - 12 OZ. BOTTLE/CAN	269/441	458/705	617/955
	STAGGERED - 12 OZ. BOTTLE/CAN	289/472	495/757	668/1026
SHIPPING WEIGHT Lbs. (kg.)		261 (118)	342 (155)	444 (201)
ELECTRICAL SPECIFICATIONS	Electrical Supply	120 VAC/60 Hz/1 Ph	120 VAC/60 Hz/1 Ph	120 VAC/60 Hz/1 Ph
	Running Load Amps	1.6	2	2.5
	Electrical Connection	Hard wired	Hard wired	Hard wired
	Defrost Initiation	Automatic	Automatic	Automatic
	Defrost Type	Off cycle	Off cycle	Off cycle
	Lighting Type	LED	LED	LED
REFRIGERATION SPECIFICATIONS	Horsepower	1/4	1/3	1/3
	Expansion Device	TXV	TXV	TXV
	Evaporator Capacity - Remotes	1900 Btu/Hr @ 20° F Evaporator	2300 Btu/Hr @ 20° F Evaporator	2300 Btu/Hr @ 20° F Evaporator
	Remote Refrigerant Options	R134a & R404a	R134a & R404a	R134a & R404a
PLUMBING	Evaporator Condensate	Field plumbed	Field plumbed	Field plumbed

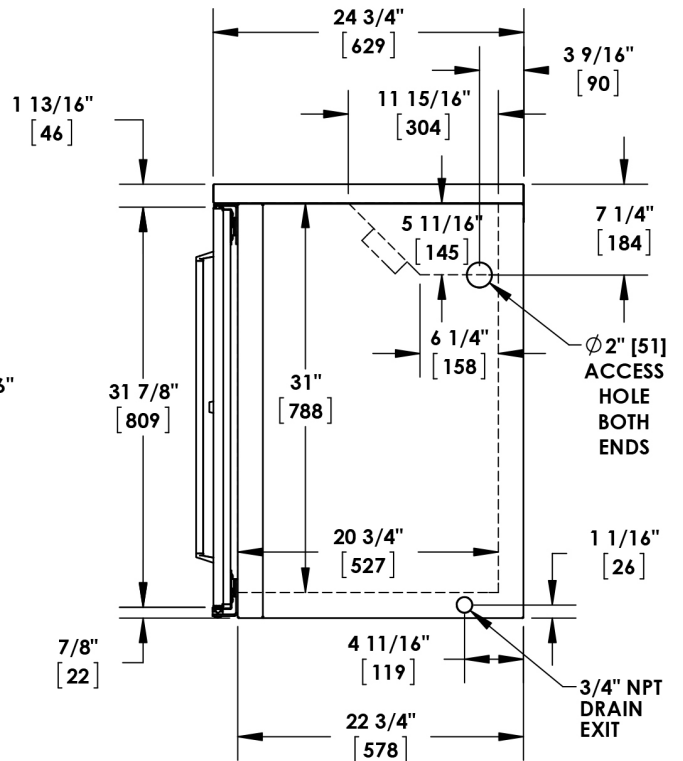
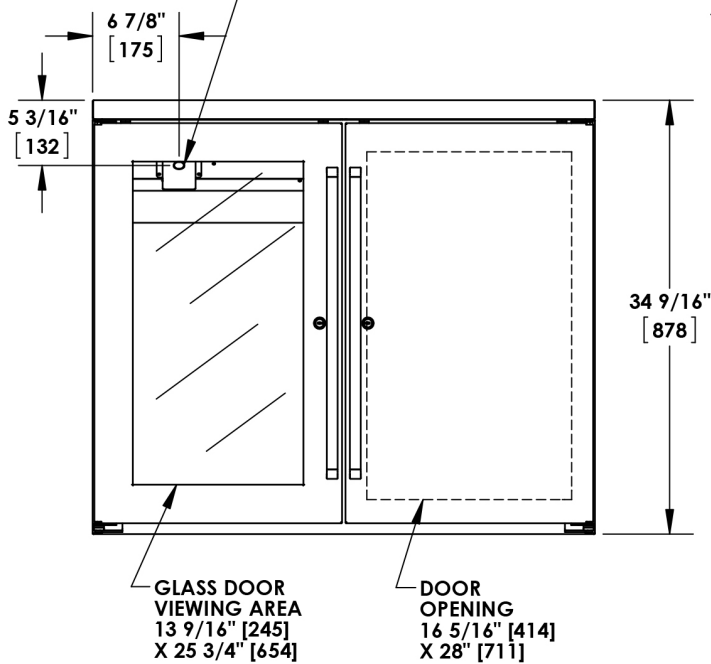


REMOTE NARROW DOOR BACK BAR REFRIGERATOR
2-, 3- AND 4-DOOR

Note: Open floor drain not provided on models intended for non-packaged food.

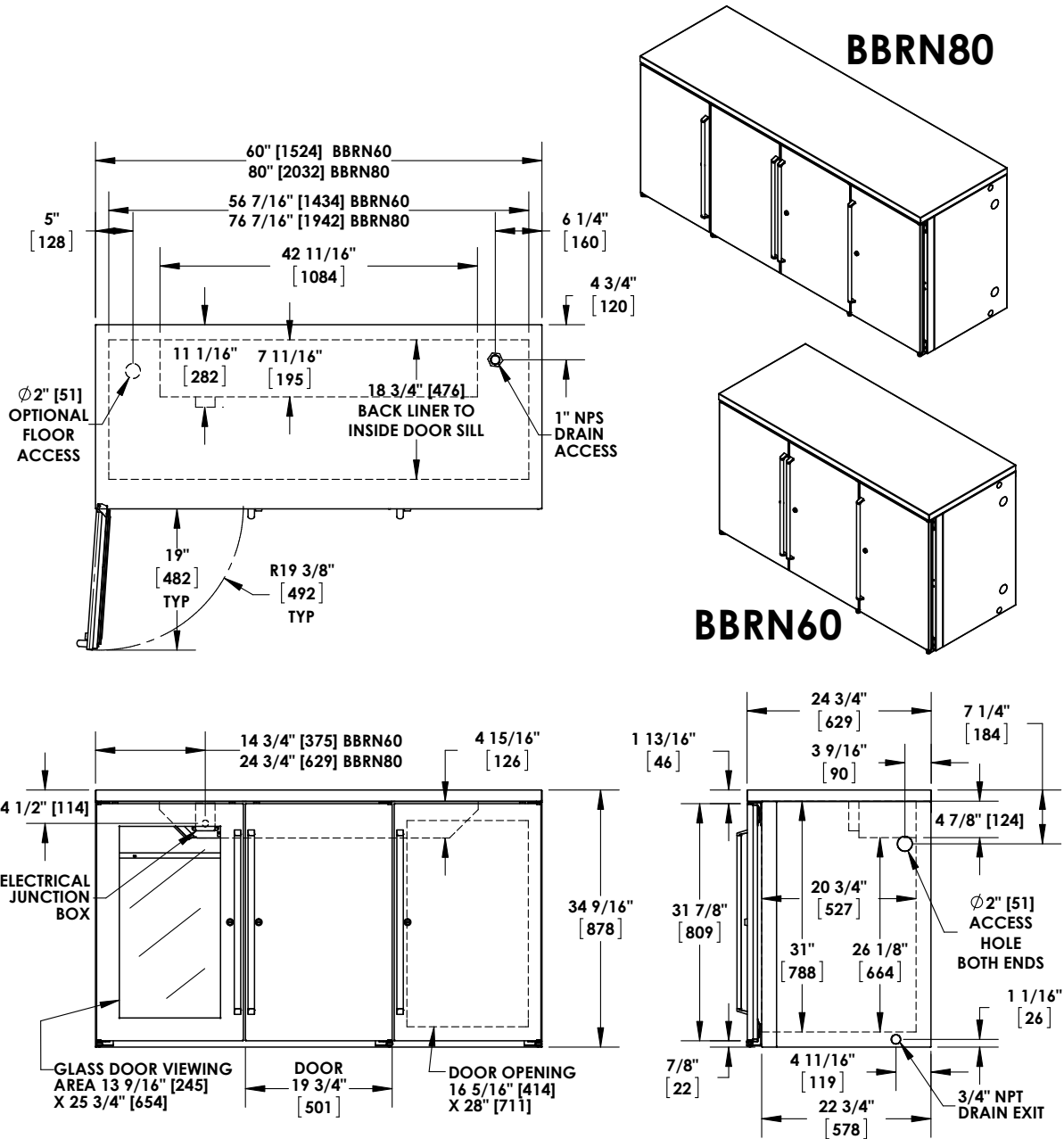


BBRN40



Perlick® **REMOTE NARROW DOOR BACK BAR REFRIGERATOR**
2-, 3- AND 4-DOOR

Note: Open floor drain not provided on models intended for non-packaged food.



California Prop 65 Notice:

! **WARNING:** The materials used in this product may contain chemicals known to the State of California to cause cancer and birth defects or other reproductive harm, For more information go to www.P65Warnings.ca.gov.

Form No. 95175
 Rev. 08.29.2018