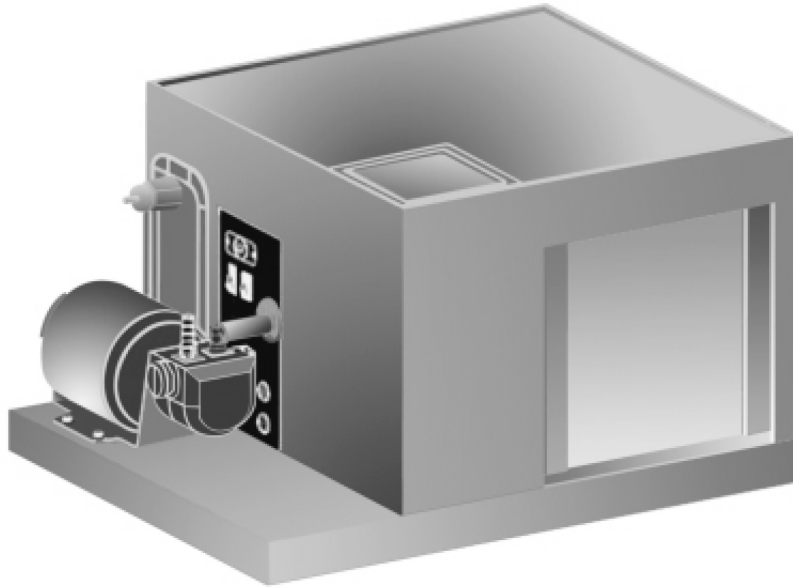


Installation and Operation Instructions

Quick Chill Power Paks



Model Nos.

PP50
PP150
PP300



IMPORTANT INFORMATION

We dedicate considerable time to ensure that our products provide the highest level of customer satisfaction. If, however service is required, your dealer can provide you with a list of qualified service agents. For your own protection, never return merchandise for credit without our approval.

We thank you for selecting a Quick Chill product and assure you of our continuing interest in your satisfaction.

IMPORTANT WARRANTY INFORMATION
To register your product, visit our web site at (www.perlick.com). Click on “Commercial”, then “Service”. You will see the link to “Warranty Registration Form”. You must complete and submit this form or the installation date will revert back to the ship Date.

Permanently mount the enclosed Warning/Safety instruction label in a visible location near the CO2 regulator.

Table of Contents

Sizes and Specifications	2
General Information	
Accessories	3
Product Description.....	3
Installation	
Safety Warnings	4
Installing the Power Pak	4
Connecting to Trunk Housing	
Connecting Power Pak to Trunk Housing	5
Connection Trunk Housing Coolant Lines to Dispensing head	5
Power Pak Start-Up	
Start-Up	6
Temperature Control.....	6
Maintenance	6
Replacement Parts	7
Wiring Diagram.....	7

Installation and Operating Instructions

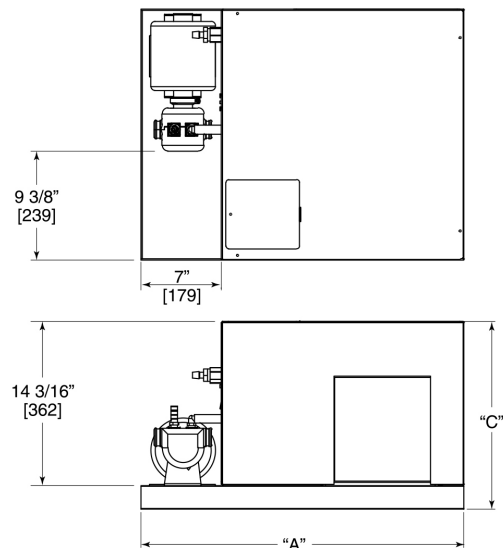
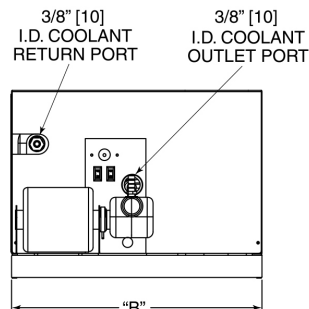
Sizes and Specifications, Quick Chill Power Paks

Model Numbers

Power Pak No.	PP50	PP150	PP300
---------------	------	-------	-------

Specifications

Dimensions - Inches (mm)				
	Length "A"	28" (714)	28" (610)	28" (610)
	Width "B"	21 3/4" (554)	21 3/4" (554)	21 3/4" (554)
	Height "C"	16 3/4" (427)	16 3/4" (427)	16 3/4" (427)
	A minimum of two inches of clearance should be allowed around the entire unit for proper performance. Additional clearance should be considered for above and in front of the unit for serviceability.			
Electrical	Voltage	120V	120V	120V
	Frequency	60 Hz	60 Hz	60 Hz
	Phase	1Ø	1Ø	1Ø
Plug (NEMA)		5-15P	5-15P	5-20P
Amps		5.3	10.5	12.5
Compressor Unit H.P.		1/5 H.P.	1/3 H.P.	1/2 H.P.
Evaporator Rating @ 20° F (BTUH)		1600	2550	3800
Heat Rejection (Max)		2850	4080	6080
Refrigerant		R-134a	R-134a	R-134a
Shipping Weight (Lbs)		105	120	125
Max. Footage in System*		50 ft.	150 ft.	250 ft.
Circulating Pump		70 GPH/80PSIG		
Reservoir Capacity		1.0 Gal.	1.0 Gal.	1.0 Gal.
Refrigeration		Constant Pressure Expansion Valve, Condensing Unit with Service Valves.		
Refrigerant Charge		4.5 oz./128g	10.0 oz./284g	10.0 oz./284g
Glycol Concentration		33%	33%	33%



General Information - Quick Chill Power Paks

Accessories

Power Pak Racks
Power Pak Wall Mounting Brackets
Coolant Solution-63299-1
33% DowFrost HD/67% Distilled Water

C214998-SS 2-Tier Power Pak Stand
WB08 - Wall Bracket
One gallon Coolant solution,

Product Description

Power Paks have always been an integral part of a beer system. The Quick Chill Power Pak product line has been expanded to satisfy longer beer runs. A Power Pak circulates coolant solution (food grade propylene glycol with distilled water) from the walk-in cooler to the dispensing station(s) and back, maintaining the desired dispensing temperature at the faucet. The Quick Chill Power Paks incorporate a 1/4 hp sleeve bearing motor with a 70 gallon per hour 80 psig positive displacement pump for optimum performance. The Quick Chill Power Pak product line employs a direct expansion form of refrigeration increasing the units' efficiency as well as making the units more compact.

Installation - Quick Chill Power Paks

Important Safety Warnings!!

- Follow all national and regional codes.
- Read installation and operating instructions carefully before attempting to install, operate or maintain the product.
- Protect yourself and others by observing all safety information.
- Electrical hazards exist and can cause injuries if not serviced by properly trained personnel.
- Failure to comply with instructions could result in personal injury and/or property damage!
- Retain instructions for future reference.
- Never operate the circulating pump without coolant in the reservoir.

NOTE: Air-cooled Power Paks must be installed in areas with adequate ventilation to maintain ambient temperatures between 65° F and 95°F to achieve optimum performance and satisfy warranty requirements.

Installing the Power Pak

Prior to installing a Quick Chill Power Pak, ensure that the electrical service to power the Power Pak will handle the load requirements.

All Models

- Determine the ideal placement of the Power Pak. Locate the connection point to the trunk housing and place the Power Pak as close to this point as possible. (NOTE: If the Power Pak is to be located on top of a walk-in cooler, it is imperative that proper ventilation is provided to prevent system failure due to overheating. Inadequate ventilation will void warranty.)
- Place the Power Pak and ensure that it is level. REMINDER: Allow a minimum of two inches distance on the louvered ends of the cabinet for proper airflow. Allow accessibility room on the top of the cabinet as well as the front of the cabinet for serviceability.
- Remove the reservoir access panel and reservoir cap.
- Ensure Power Switches for Condensing Unit and pump(s) are in the OFF position. Make the electrical connections per the illustrations.

NOTE: Electrical circuit should be a dedicated circuit for use only with the Power Pak. The circuit should be sized in accordance with the electrical requirements of each unit as well as in compliance with all National and Local Codes.

Connection to Trunk Housing - Quick Chill Power Paks

Connecting Power Pak to Trunk Housing

The Quick Chill Power Paks require fittings with a minimum pressure rating of 80 psig.

- Inspect pump outlet port for debris.
- Inspect Glycol Return inlet for debris.
- Cut 3/8" I.D. coolant tubing, to required length to reach from Power Pak to Trunk Housing connection point.
- Cut tubular insulation and install over previously cut coolant tubing.
- Place clamps over coolant tubing ends.
- Push coolant lines, one each over pump outlet barbed fitting and return barbed fitting.
- Position over barbed fitting and clamp securely.
- Slide tubular insulation sleeves tightly against connection points. Use insulation tape as necessary to ensure an air tight seal to prevent excessive heat gain or condensation problems.
- Drill a 3 1/2" diameter hole in walk-in cooler to accommodate coolant lines..
- Install insulating donuts over hole (both inside and outside of cooler walls).
- Slide large insulation sleeve over remaining coolant tubing exposed to warm air conditions including inside walk-in cooler from Power Pak to Trunk Housing connection point. Seal and tape all seams to prevent excessive heat gain or condensation problems.
- Slide coolant lines through 3 1/2" donut hole previously cut in walk-in cooler wall.
- Position Trunk Housing coolant lines and Coolant Connector lines in horizontal position, to alleviate condensation runoff into Trunk Housing.

- Cut Trunk Housing coolant lines with tubing cutter to ensure clean burr free ends.
- Insert barbed fittings into the ends of the plastic coolant lines from the Power Pak and clamp.
- Insert fittings into Trunk Housing coolant lines and clamp.
- Seal donut hole to ensure an air tight seal to prevent walk-in cooler problems as well as condensation.

Connecting Trunk Housing Coolant lines to Dispensing Head

- Position Trunk Housing so that beverage lines can be connected with minimum cutting.
- Split Trunk Housing approximately 12 inches from the end to allow working room for the connections.
- Cut and deburr coolant lines coming from trunk housing and dispensing head. Stagger the lengths.
- Connect the Trunk Housing coolant lines to dispensing head coolant lines using two clamps, included in Head connecting kit.

Power Pak Start-Up - Quick Chill Power Paks

Connecting Power Pak to Trunk Housing

After system has been completely installed and checked for leaks, use only Quick Chill Coolant Solution, #63299-1. The Coolant solution has been pre-mixed for optimum performance and wear protection. The Power Pak reservoir holds approximately 1 gallon of solution.

- Never operate the coolant pump without coolant in the reservoir.
- Fill Power Pak reservoir with Quick Chill Coolant Solution.
- Turn condensing unit switch and pump switch to the on position. Coolant solution level will begin to drop in reservoir.
- Continue adding Quick Chill Coolant Solution until no air bubbles are apparent from the coolant return line.

NOTE: Never allow for the Coolant level in the reservoir to drop below the tube inlet. Allowing the level to drop below the inlet will allow air bubbles into the lines.

- Fill Power Pak reservoir to visible seam (located 2" below cap threads). Watch return line fitting port for additional air bubbles as this may signify additional Coolant Solution may need to be added.
- Thoroughly check all field connection points for leaks.
- Monitor Power Pak operation to ensure that the Power Pak is working properly. Dependent on the length of the trunk housing run and surrounding ambient conditions, these factors will determine how long it takes for the Power Pak to cut-out on the temperature control.

Temperature Control

The Quick Chill Power Pak comes equipped with an electro-mechanical temperature control. The temperature control has been factory set to cutout at 33°F with a differential of 4°F. Turn adjusting screw clockwise to lower the cut-out temperature.

Maintenance

• MONTHLY

Check Coolant level in reservoir.

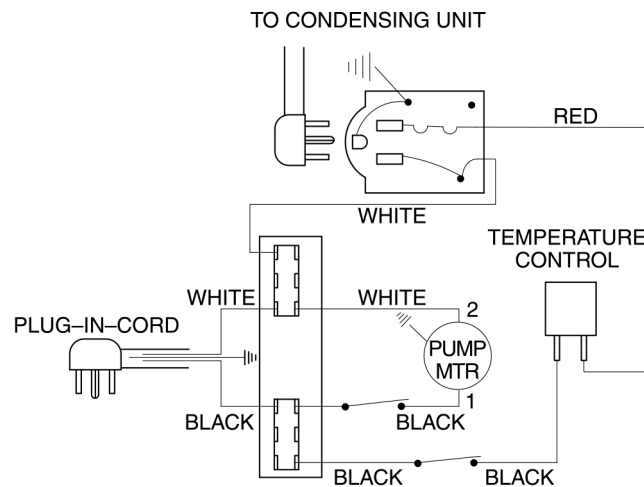
• YEARLY

Oil pump motor-sleeve-bearing motors only.

Replacement Parts - Quick Chill Power Paks

Model Nos.	PP50	PP150	PP300
Component	Part Numbers		
Condensing Unit	C22649	C22652	C22651
Compressor	513307090	262FG92UB	206ZG23UB
Fan motor assembly	515315009	—	—
Condenser fan motor	—	1450076	1450095
Fan blade	—	2455003	2455003
Fan motor mounting bracket	—	—	—
Terminal board	519101548	—	—
Cover, overload, relay	513504007	—	US-PB6215-A1
Overload protector	—	—	—
Relay	—	—	—
Start capacitor	—	—	—
Pump motor	63381	63381	63381
Expansion valve	63826	63826	63826
Heat exchanger	63606	63300	63300
Grille	64197-2	64197-2	64197-2
Pump	63562	63562	63562
V-Clamp	63291-3	63291-3	63291-3
Temperature control	C12213A	C12213A	C12213A
Switch	63303	63303	63303
Drier	63297	63297	63297
Coolant solution	63299-1	63299-1	63299-1

Wiring Diagram - Quick Chill Power Paks



DANGER: ELECTRICAL SHOCK HAZARD.
DISCONNECT ALL POWER
BEFORE SERVICING.

