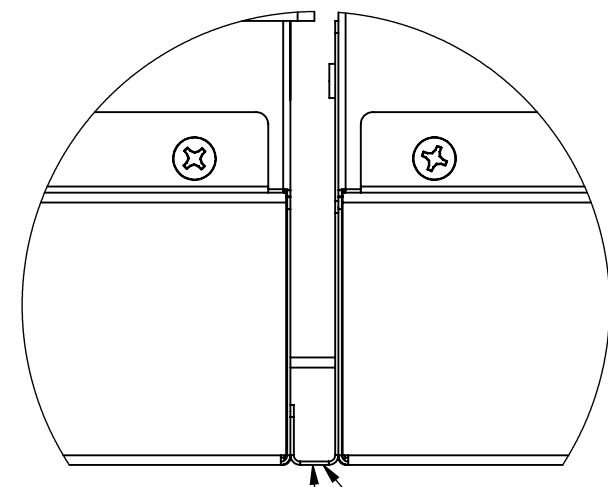
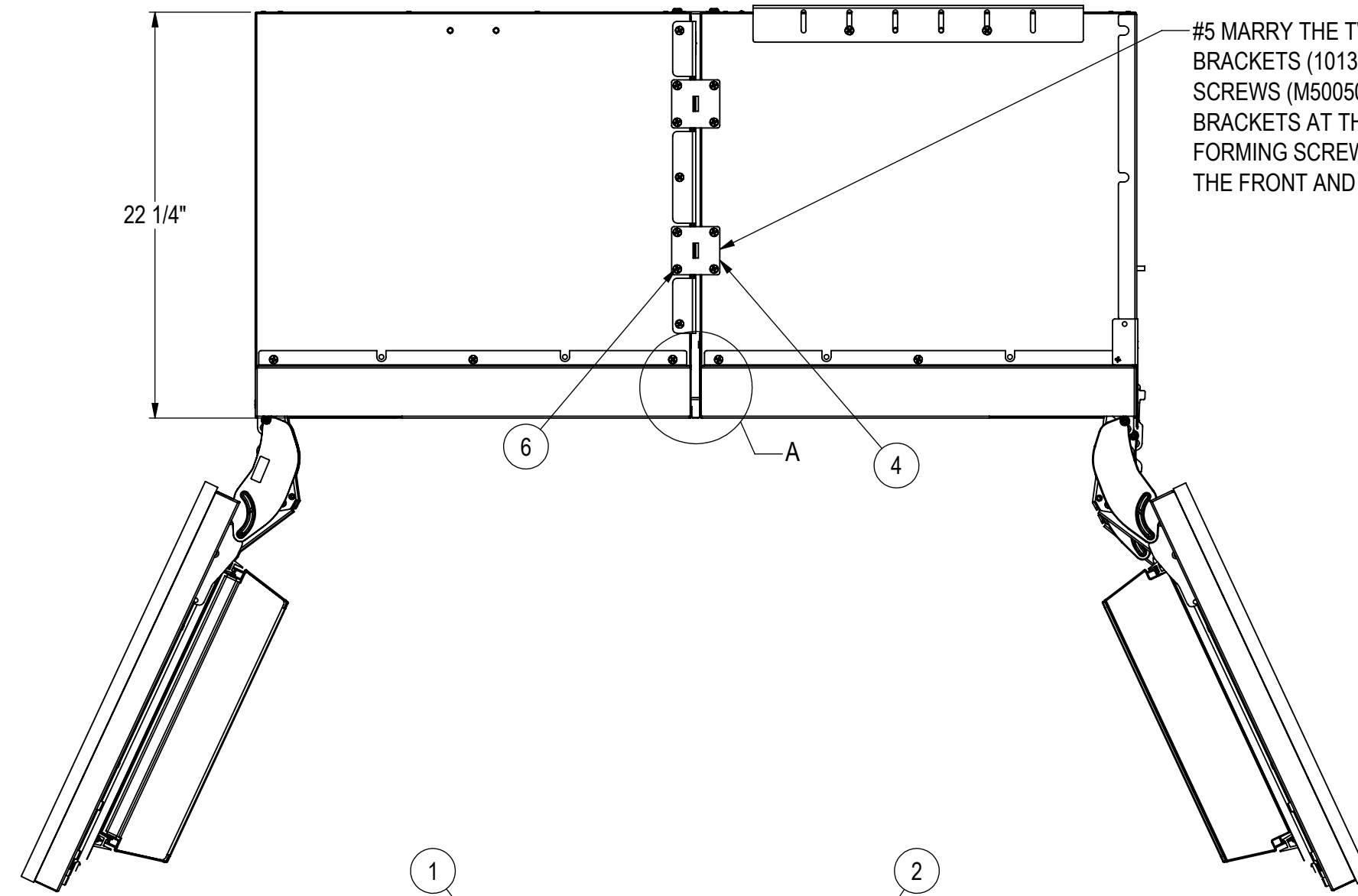


ITEM NO.	PART NO.	DESCRIPTION	QTY
1	-	COLUMN-REFRIGERATOR	1
2	-	COLUMN-FREEZER	1
3	1010469	SIDE BY SIDE HEATER ASSEMBLY	1
4	1013719-1	BRACKET, ATTACHING, COLUMN,	4
5	1008781	SCREW, M6 X 12MM, THRD FORMING	8
6	M50050-466	#10X1/2" PH.TRUSS HD.SMS#410S	11
7	1009975-1	BRACKET, MOUNTING, MACHINE	1
8	M50095-122	SCREW, SHEET METAL, 10-16 X 1/2	2
9	1015035-1	CENTER TRIM	1
10	1010546	M5X10 MACH SCR, LOW HEAD	6

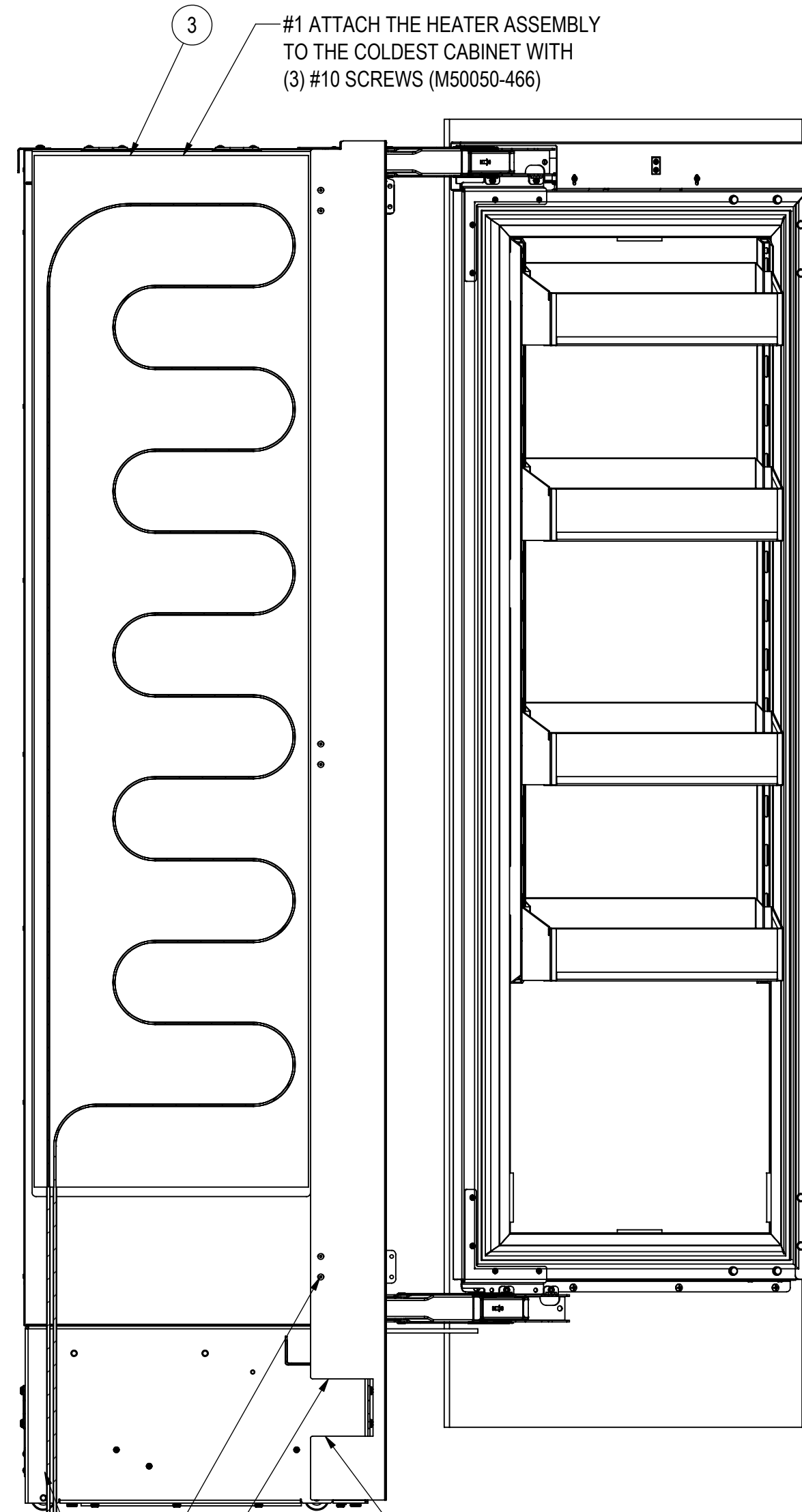


#3 BEFORE FULLY TIGHTENING SCREWS MAKE SURE CENTER TRIM PIECE IS FLUSH WITH THE CABINET FACE.

DETAIL A  
SCALE 1 : 2



#5 MARRY THE TWO CABINETS UP USING (4) ATTACHMENT BRACKETS (1013719) AND PROVIDE HARDWARE. (8) #10 SCREWS (M50050-466) ARE USED TO ATTACH THE BRACKETS AT THE TOP OF THE UNIT AND (8) M6 THREAD FORMING SCREWS ARE USED TO ATTACH BRACKETS TO THE FRONT AND REAR BASE PLATES OF BOTH UNITS.



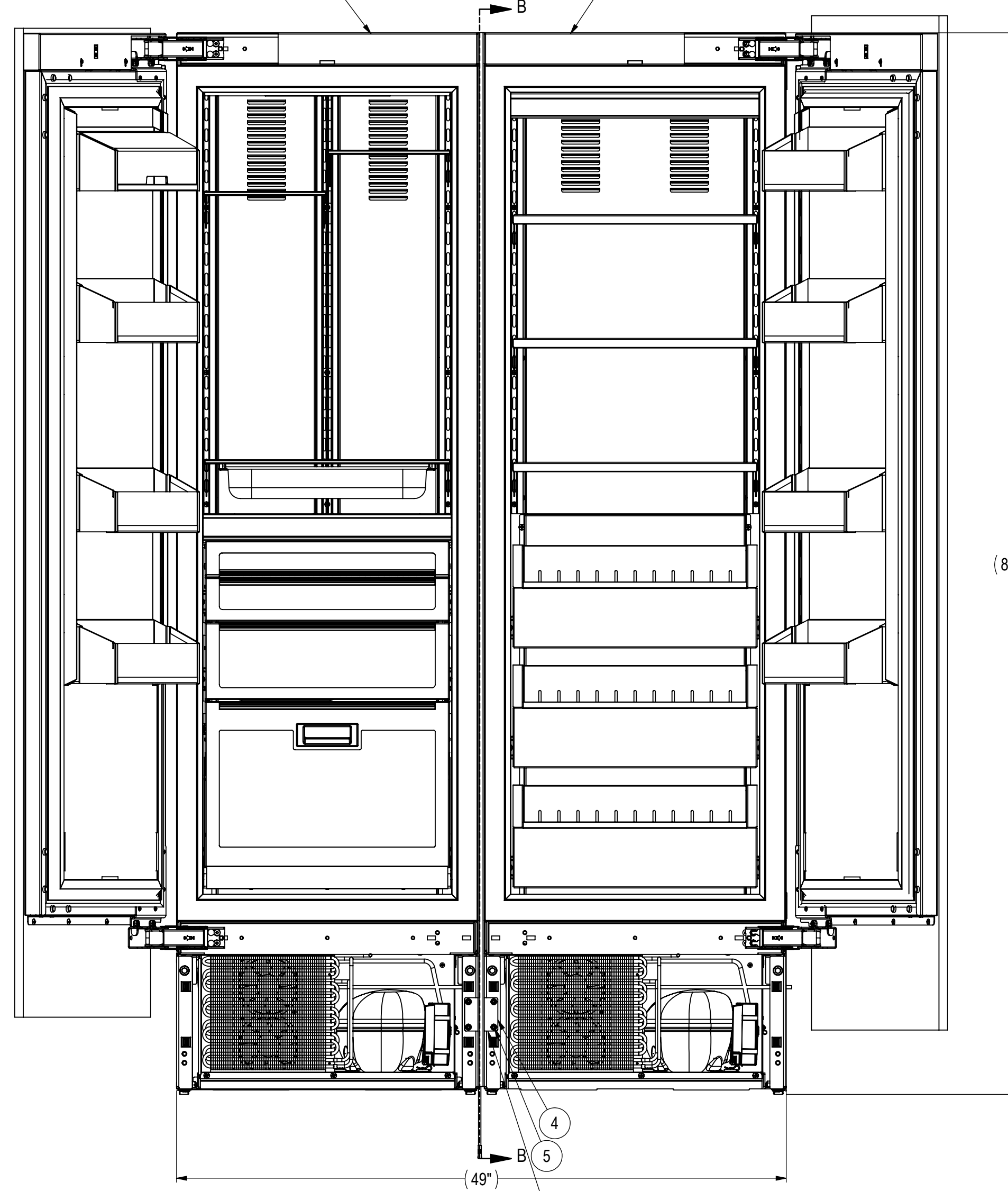
#1 ATTACH THE HEATER ASSEMBLY TO THE COLDEST CABINET WITH (3) #10 SCREWS (M50050-466)

#3 ATTACH CENTER TRIM PIECE (1015035-1) TO THE CABINET ON THE RIGHT USING (6) M5 SCREWS (1010546).

#2 ROUTE THE HEATER WIRE THROUGH THE HOLE IN THE BASE PLATE AND ATTACH TO WIRE RETENTION BRACKET (1009975-1).

#4 PLUG THE WIRE HEATER INTO AN OUTLET USING THE SUPPLIED POWER CORD.

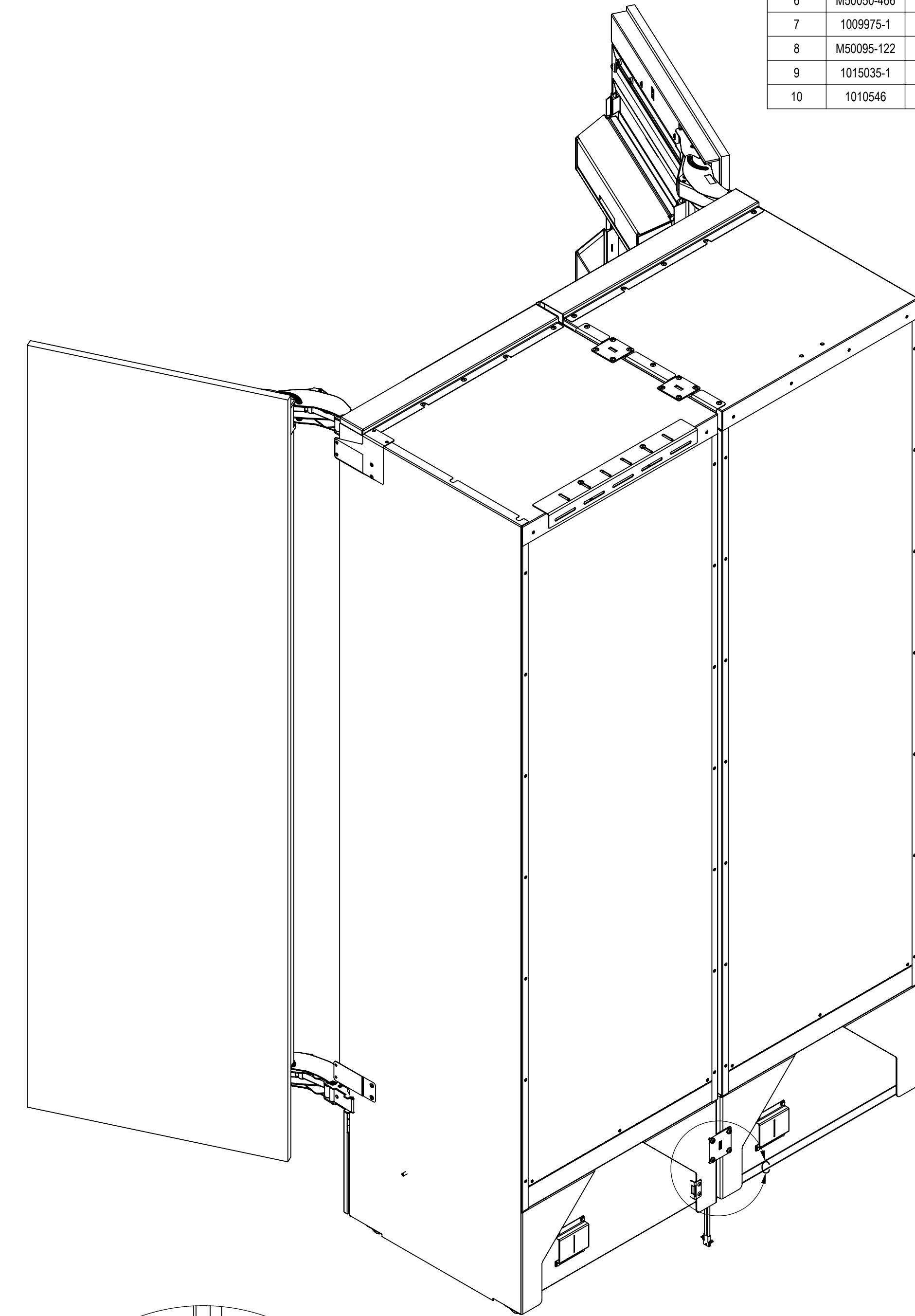
SECTION B-B  
SCALE 1 : 8



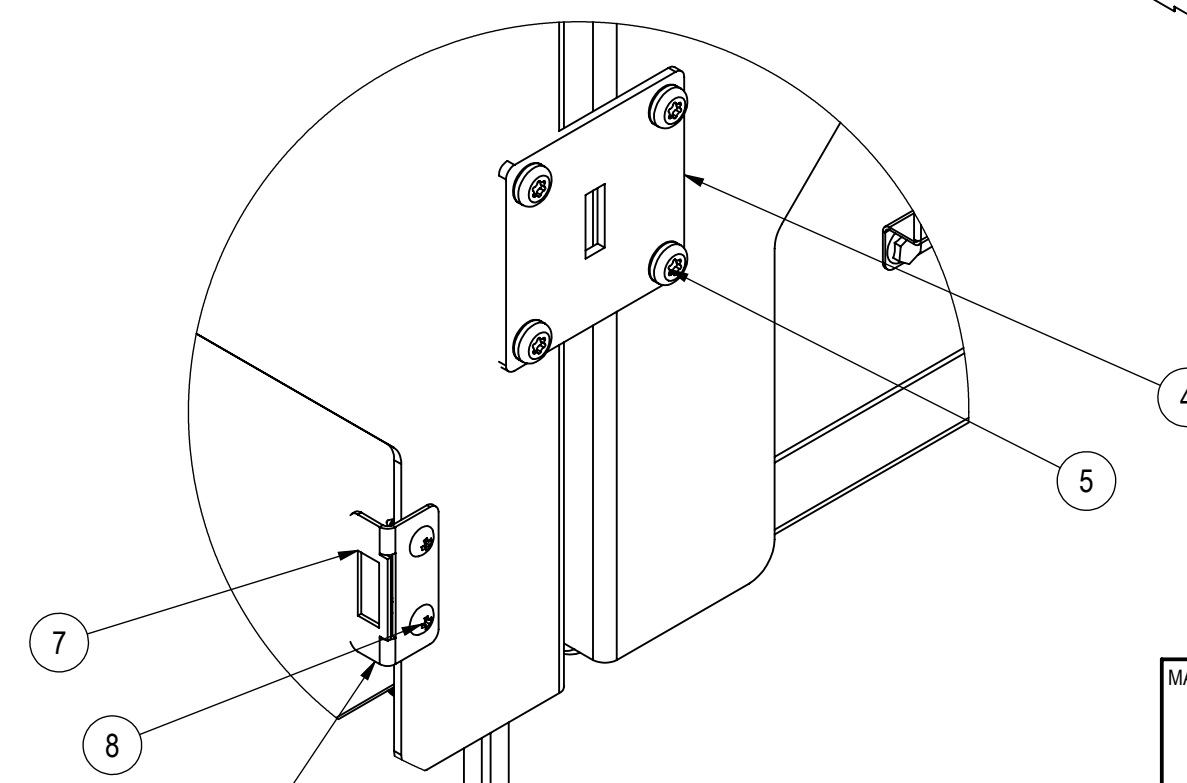
#2 INSTALL WIRE RETENTION BRACKET WITH (2) #10 SCREWS (M50095-122)

#5 REMOVE THE GRILLS ON BOTH UNITS TO FASTEN THE ATTACHMENT BRACKETS TO THE FRONT OF THE BASE PLATES

(84")



ISOMETRIC VIEW



DETAIL C  
SCALE 1 : 2

REV.	DESCRIPTION	DATE	APPROVED
A	INITIAL RELEASE	12/12/2017	TEC

SIGNATURES		DATE
DRAWN BY: UJO		12/12/2017
APP'D BY: JMP		01/10/2018

MATERIAL:		PERICK CORPORATION	
QTY:		MILWAUKEE, WISCONSIN	
FINISH:		TITLE: DUAL INSTALLATION INSTRUCTIONS WITH HEATER PANEL	
REFERENCE:		PART NO. 1014974	DWG NO. 1014974
PURCHASE REC.:		SCALE = 1:16 SHEET 1 OF 1	