



GLASS RINSER



68743SS shown

JOB	
AREA	
ITEM NO.	
MODEL NO.	

MODELS
68743SS



COMPONENT

NSF / ANSI 169

Features

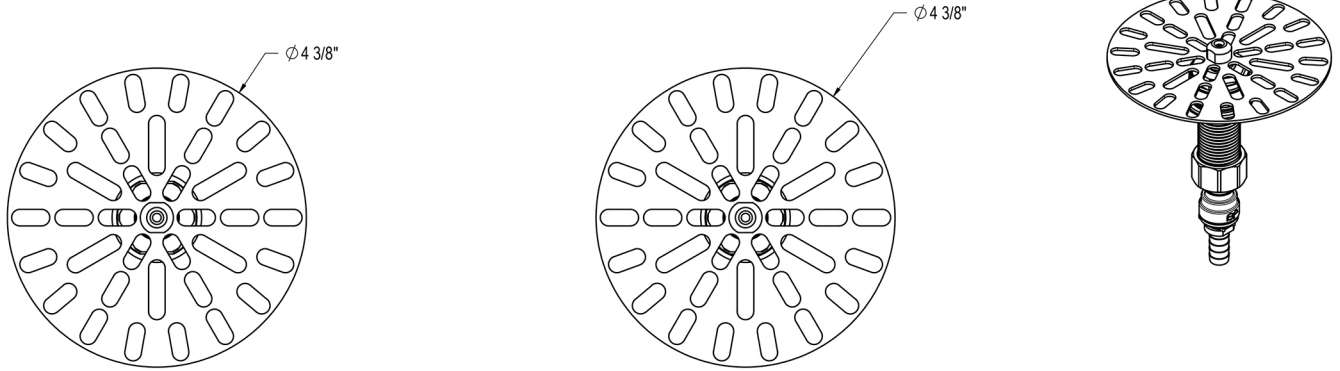
- NSF Listed Glass Rinser Assembly
- Conditions the Glass Utilizing Cold Water to Improve Beer Pour
- All Stainless Steel Construction



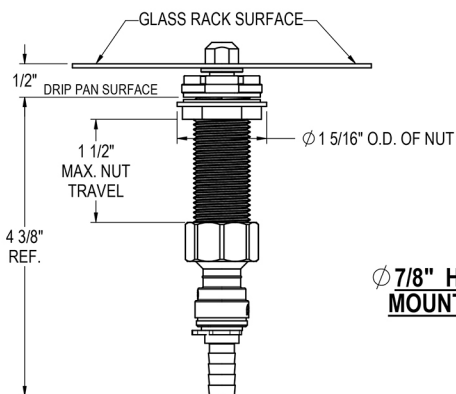
GLASS RINSER

MODEL NOS.	68743SS
GLASS RACK DIAMETER (mm)	4-3/8" (111)
INSTALLED HEIGHT, STANDARD (mm)	1/2" (13)
INSTALLED HEIGHT, EXTENDED (mm)	7/8" (22) Extended Height Assembly is required for Direct Replacement of Rinser, Part No. 65777
MATERIAL	Stainless Steel Glass Rack and Valve Assembly
PLUMBING	1/2" Straight NPS Thread with included John Guest Connector for 3/8" Flexible Hose
MOUNTING HOLE (mm)	7/8" diameter (22)

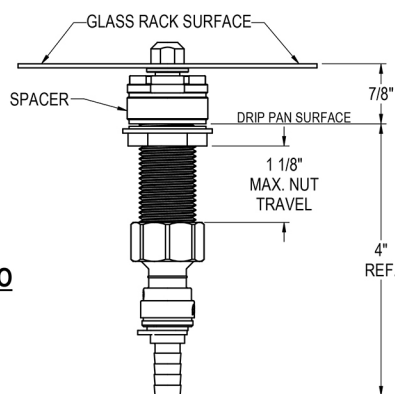
RINSER INSTALLATION NOTES	Check local plumbing codes. Install in-line water regulator set to 15 - 20 psi (not included). Install in-line shut-off valve (not included) and turn off nightly.
----------------------------------	--



STANDARD HEIGHT ASSEMBLY



EXTENDED HEIGHT ASSEMBLY



Ø 7/8" HOLE REQUIRED TO MOUNT GLASS RINSER

NOTE:
EXTEND HEIGHT ASSEMBLY IS REQUIRED FOR DIRECT REPLACEMENT OF RINSER 65777.