



**DRIP PANS
ANGLED, CUTOUT AND SPACESAVER**

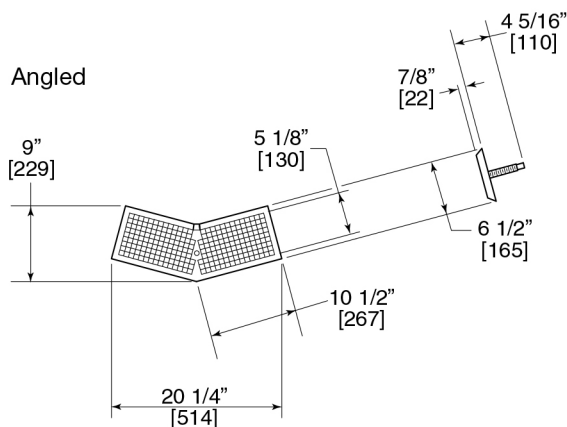
Features

- Variety of sizes, and configurations to fit any installation
- Available in stainless steel or tarnish-free brass
- Removable, glass rack

JOB	
AREA	
ITEM NO.	
MODEL NO.	

Models	
Angled	
Stainless Steel	Tarnish-Free Brass
57120	57120TF
Cutout	
Stainless	Tarnish-Free Brass
62303SS	62303
	62304
66596	66596TF
Spacesaver	
Stainless	
3713-1	
3721-1	

ANGLED SERIES MODEL NUMBERS	Stainless Steel	57120
	Tarnish-Free Brass	57120TF
OVERALL LENGTH (mm)	20-1/4" (511)	
OVERALL WIDTH (mm)	9" (229)	
DRIP PAN and GLASS RACK	Stainless steel or tarnish-free brass. Stainless steel glass rack.	
PLUMBING	Equipped with 1/2" I.D. brass drain tube with 1/2" NPSM thread and machined end to accept 1/2" I.D. flexible drain tube.	

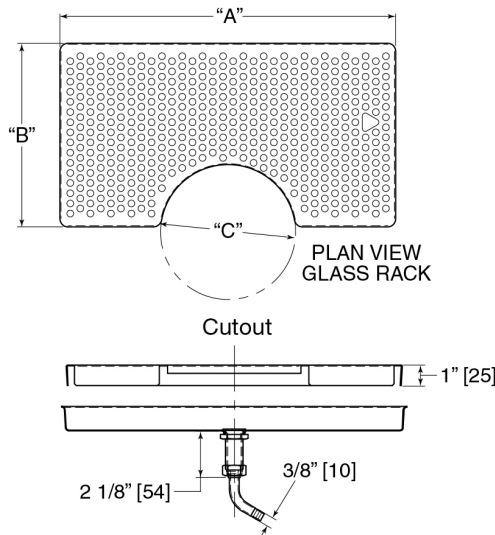




**DRIP PANS
ANGLED, CUTOUT AND SPACESAVER**

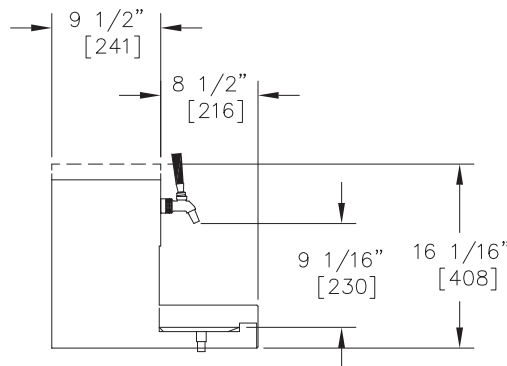
CUTOUT

MODEL NUMBERS	Stainless Steel	62303SS	66596	
	Tarnish-Free Brass	62303	62304	66596TF
DIMENSIONS "A" (mm)		19-3/4" (501)	19-3/4" (501)	14" (355)
DIMENSIONS "B" (mm)		10" (254)	10" (254)	8" (203)
DIMENSIONS "C" (mm)		8-1/2" (215)	10" (254)	6" (152)
DRIP PAN and GLASS RACK	Brass or stainless steel. Stainless steel glass rack.			
PLUMBING	Chrome plated brass drain and 3/8" elbow hose coupling.			



SPACESAVER DRIP PANS

MODEL NUMBERS	Stainless Steel	3713-1	3721-1
LENGTH (mm)		12-7/8" (327)	21-1/8" (537)
DEPTH (mm)		8-7/8" (225)	8-7/8" (225)
HEIGHT (mm)		14-3/4" (325)	14-3/4" (375)
DRIP PAN and GLASS RACK	Stainless steel.		
PLUMBING	Equipped with 1/2" I.D. brass drain tube with 1/2" NPSM thread and machined end to accept 1/2" I.D. flexible drain tube.		



Spacesaver