

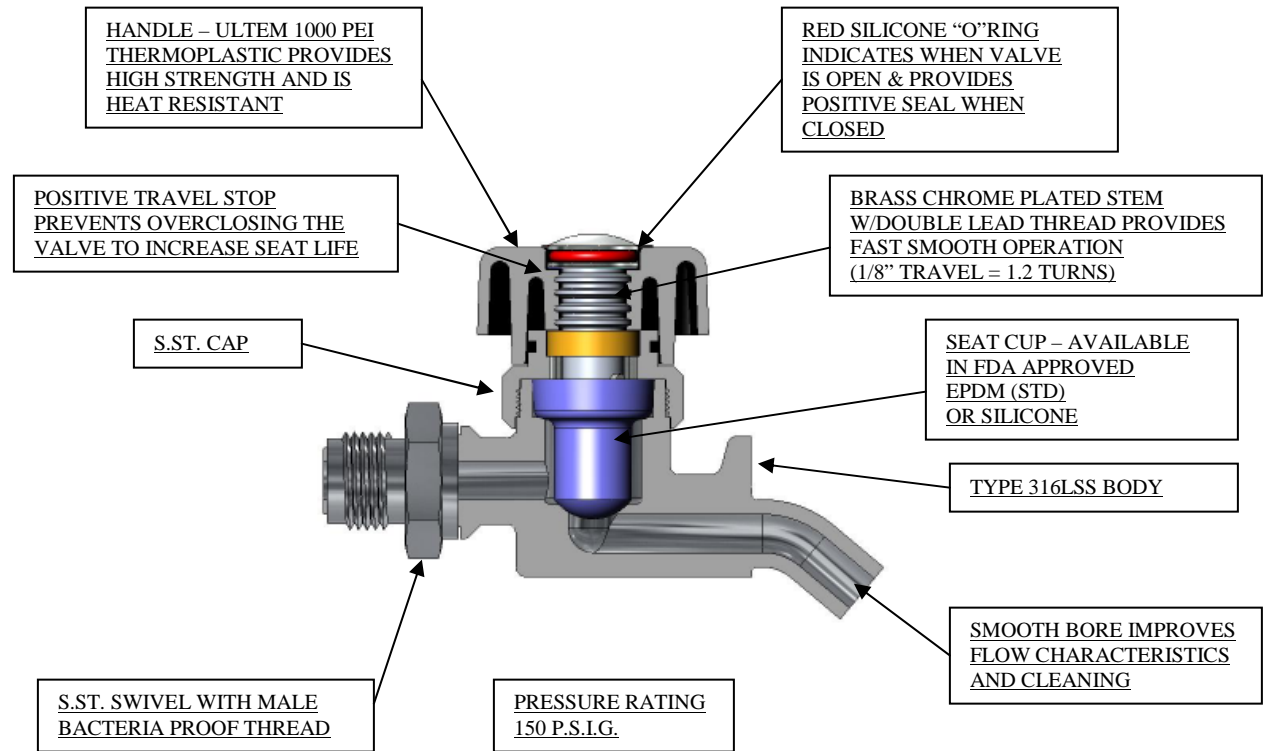
PERLICK'S NEW SAMPLING VALVE

DESIGNED FOR BETTER PERFORMANCE

Perlick's new innovative sampling valve is designed for sanitary sampling applications. The interior of the investment cast body is entirely machined to provide a smooth surface. This smooth surface is not only easy to clean, but it also improves the valve's flow characteristics. All materials are FDA approved and the entire valve is autoclavable. A variety of inlet connections are available to meet specific requirements. See the diagram below for all the enhancing features.



PERFORMANCE ENHANCING FEATURES



Part No.

Description

F38300SS	Sampling valve with swivel adapter with bacteria proof thread
F38301SS	Sampling valve with 1/8” male taper pipe thread
F38302SS	Sampling valve with 1/4” male taper pipe thread
F38303SS	Sampling valve with 3/8” male taper pipe thread
F38304SS	Sampling valve with 1/2” Tri-Clamp connection
F38305SS	Sampling valve with 1 1/2” Tri-Clamp connection
F38306SS	Sampling valve with 2” Tri-Clamp connection
F38250SS	Wrench

