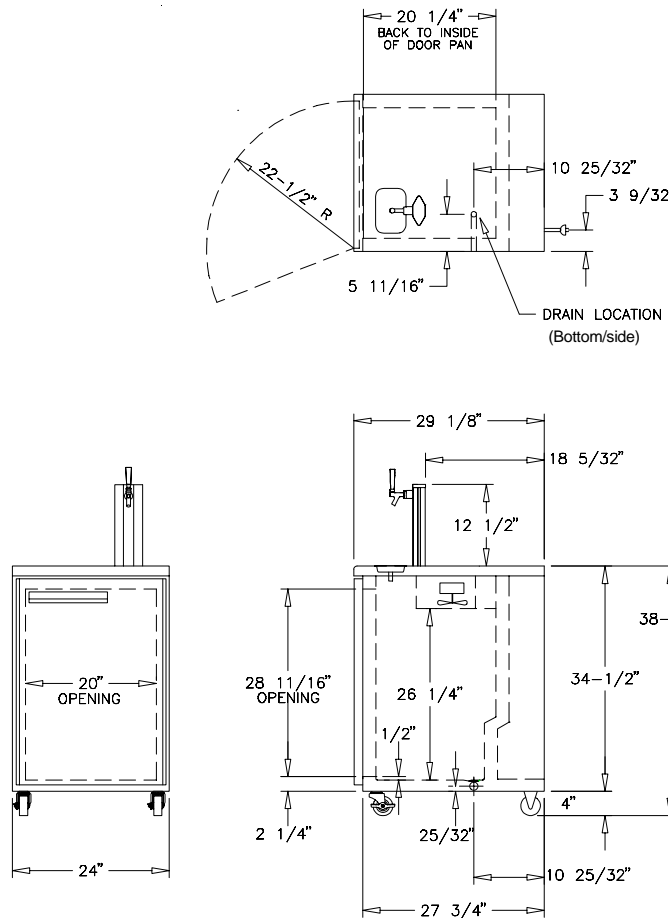


Cabinet Top and End Views



Parts List

Qty.	Description	Qty.	Description
2	*Rigid Casters	1	Black Connector Hose 3/16" x 3
2	*Swivel Casters w/Lock	1	5/16" Air Hose
1	A/C Hex Faucet Standard	1	Bag of Miscellaneous Parts
1	Faucet Head Assembly	1	*Plastic Waste Bottle
1	Spanner Wrench for Faucet		

**Portable Model Only*

Tools Required

#2 Phillips Screwdriver	#10 Crescent Wrench
Spanner Wrench (included)	9/16" Allen Wrench
3/8" Nut Driver	

PREPARING the CABINET FOR USE

PARTYMASTER DISPENSER

PLUMBING

Portable Models

No plumbing connections are required. Condensate from the cooling coil is automatically evaporated. Drain pan waste is accumulated in the plastic bottle installed inside cabinet.

Underbar Models

Features a floor drain with a $\frac{3}{4}$ " female pipe thread connection for disposal of both condensate and drip pan waste. Remove bottom or side drain plug with Allen wrench and attach $\frac{3}{4}$ " male pipe to external drain.

ELECTRICAL

The cabinet must be connected to a separately fused power source (see electrical specification plate) and grounded in accordance with National and Local Electrical Codes. Caution: Do not attempt to operate the equipment on any other power source than that listed on the Electrical Specification plate.

UNCRATING and INSPECTION

Remove all crating material before operating. Carefully inspect cabinet for hidden damage. If damage is discovered, file your claim immediately with the transportation company. Perlick is not responsible for damage in transit.

BEFORE YOU BEGIN

Before operating the Partymaster for the first time, wash tapping devices and faucet. Flush beer, tapping device and faucet lines with fresh water. Have CO₂ cylinder (not supplied) filled by a local compressed gas supplier.

PLACING the CABINET

Push the cabinet into place using rollers when necessary. Important: Proper air flow around the condensing unit is necessary for efficient operation. Never obstruct the air flow in and out of the condensing unit compartment.

LEVELING the CABINET

When the cabinet is in place, check installation with a carpenter's level. When perfectly level, accumulated water will drain out. A slight pitch to the drain side will not harm the cabinet. Water may accumulate if cabinet is pitched to the opposite side.

INSTALLING CASTERS (Portable Models Only)

Attach four casters to the bottom of the cabinet; rigid casters at the rear and swivel casters on the front. Use the supplied $\frac{1}{4}$ "- 20 x $\frac{3}{4}$ " hex head self-tapping machine screws.

INSTALLING the FAUCET and FAUCET STANDARD

Before you begin: Wash dispensing head and faucet. Flush beer, dispensing head and faucet lines with fresh water.

1. Apply RTV around the base of the dispensing head to seal it to the top. Align the dispensing head over the five holes on cabinet top and use the five stainless steel #10-32 x $1\frac{3}{4}$ " Phillips pan head stainless steel machine screws to secure standard to cabinet top. Wipe off excess RTV to complete the seal.
2. Attach faucet to standard using spanner wrench to tighten coupling. Attach faucet handle to faucet.
3. Insert flexible plastic air hose six to seven inches into bottom of faucet standard. Secure hose with tie wrap (supplied).

INSTALLING the CO₂ CYLINDER and REGULATOR

Place CO₂ cylinder in the rear compartment before making regulator connection.