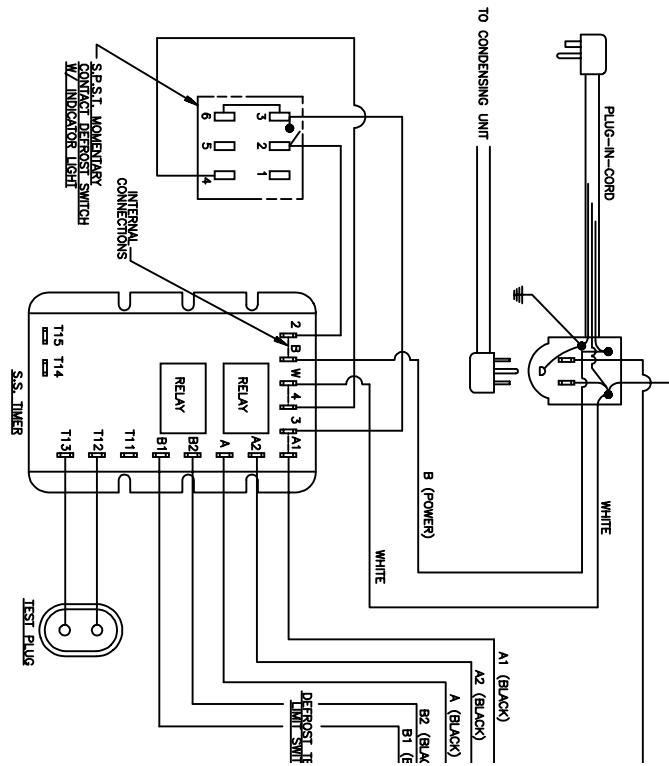


WIRING DIAGRAM

GLASS FROSTERS



Avoiding Stainless Steel Corrosion

Corrosion can be prevented by following product cautions, cleaning instructions and avoiding use of certain chemicals or objects which will cause stainless steel corrosion.

Stainless Steel Enemy	Result
Steel wool or steel scouring pads	Small particles break off, lodging in the surface and rusting begins.
Cherry/Onion/Olive juice	Sets up a galvanic action that can transfer enough metal to cause pin hole leaks.
Chlorine Bleach	Bar rags soaked in bleach and thrown into a stainless steel sink will cause the stainless to develop pin hole leaks after a very short period of time.
Sharp objects	Dropped into a stainless steel sink will cause a puncture dimple and over time will appear as a pin hole leak.

Recommended Cleaning Agents

Job	Cleaning Agent*	Comments
Routine Cleaning	Soap, ammonia, detergent	Apply with sponge or cloth. Can be used on all finishes.
Fingerprints and smears	Areal 20, Lac-O-Nu, Lumin Wash, O'Cedar Cream Polish	Provides barrier film to minimize fingerprints. Can be used on all finishes.
Stubborn stains and Discolorations	Allchem Concentrated Cleaner, Samae, Twinkle, Zud Restoro, Grade F or FFF Italian Pumice, Whiting or Talc, Liquid Nu Steel, Copper's or Revere Stainless Steel Cleaner, Lumin Cleaner, Sta-Clean, Cameo Copper Cleaner, Allen Polish Highlite, Penny-Brite, Copper Brite	Rub lightly, using dry or damp cloth in the direction of polish lines on the stainless steel.

**Use of propriety names is intended only to indicate a type of cleaner and does not constitute an endorsement. Omission of any proprietary cleaner does not imply its inadequacy. All products should be used in strict accordance with instructions on the package.*