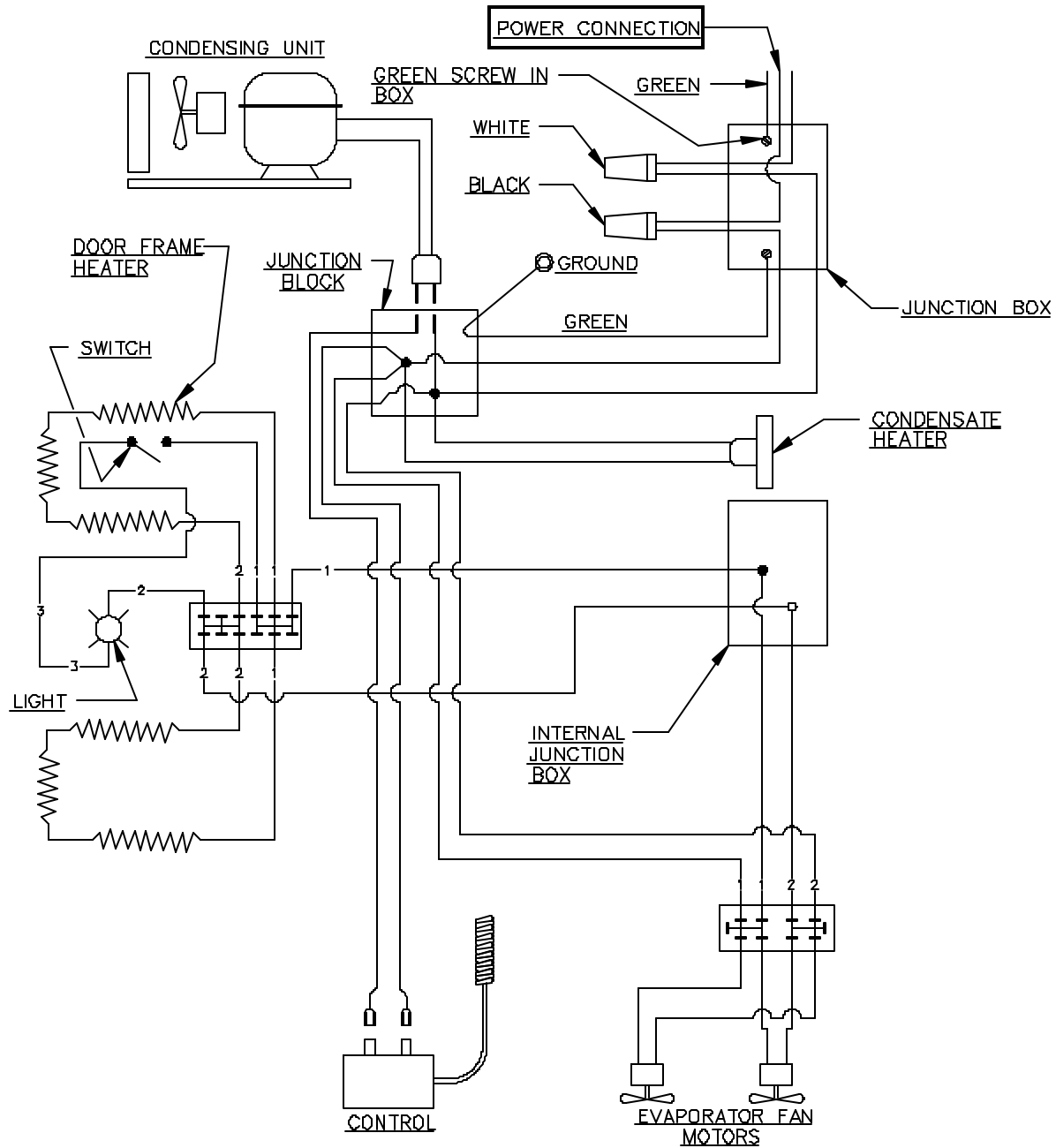


For Models C5063ESC and C5077SC Two Door Self-Contained

WIRE DIRECT TO POWER SOURCE.
SEE DATA PLATE FOR
ELECTRICAL SPECIFICATIONS.

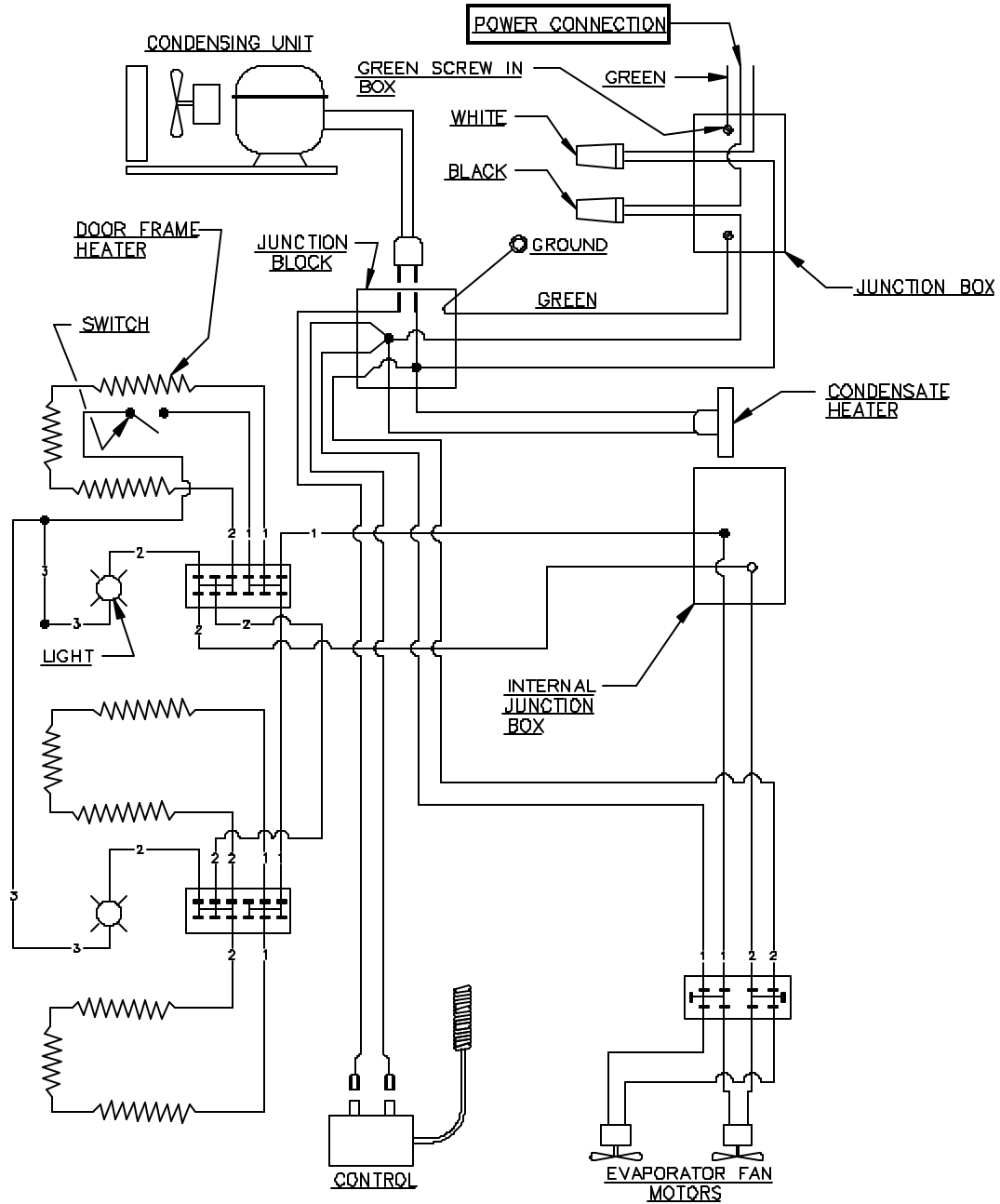


Wiring Diagrams

BACK BAR CABINETS

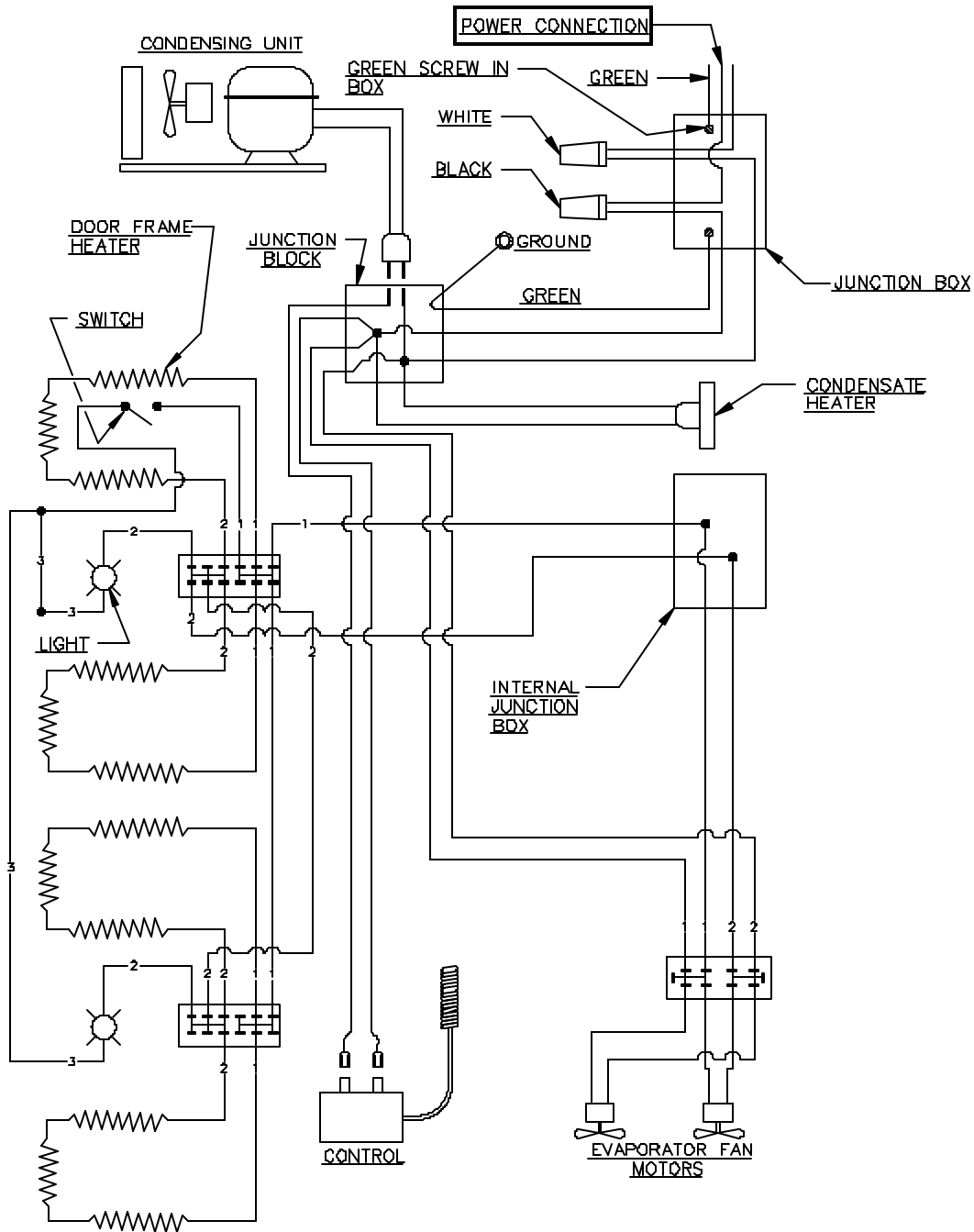
For Models C5064ESC and C5078SC Three Door Self-Contained

WIRE DIRECT TO POWER SOURCE.
SEE DATA PLATE FOR
ELECTRICAL SPECIFICATIONS.



For Models C5065ESC and C5079SC Four Door Self-Contained

WIRE DIRECT TO POWER SOURCE.
SEE DATA PLATE FOR
ELECTRICAL SPECIFICATIONS.

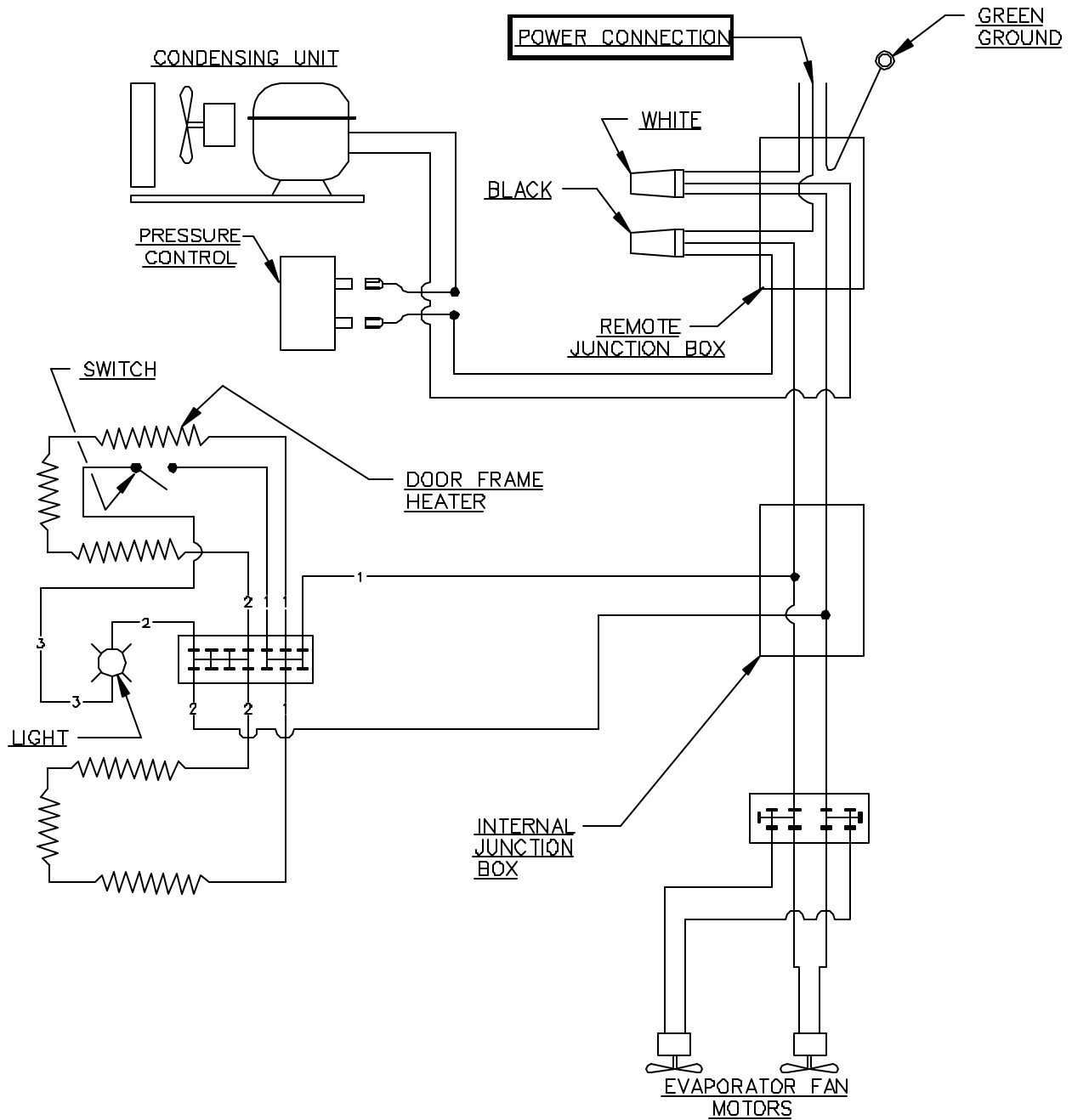


Wiring Diagrams

BACK BAR CABINETS

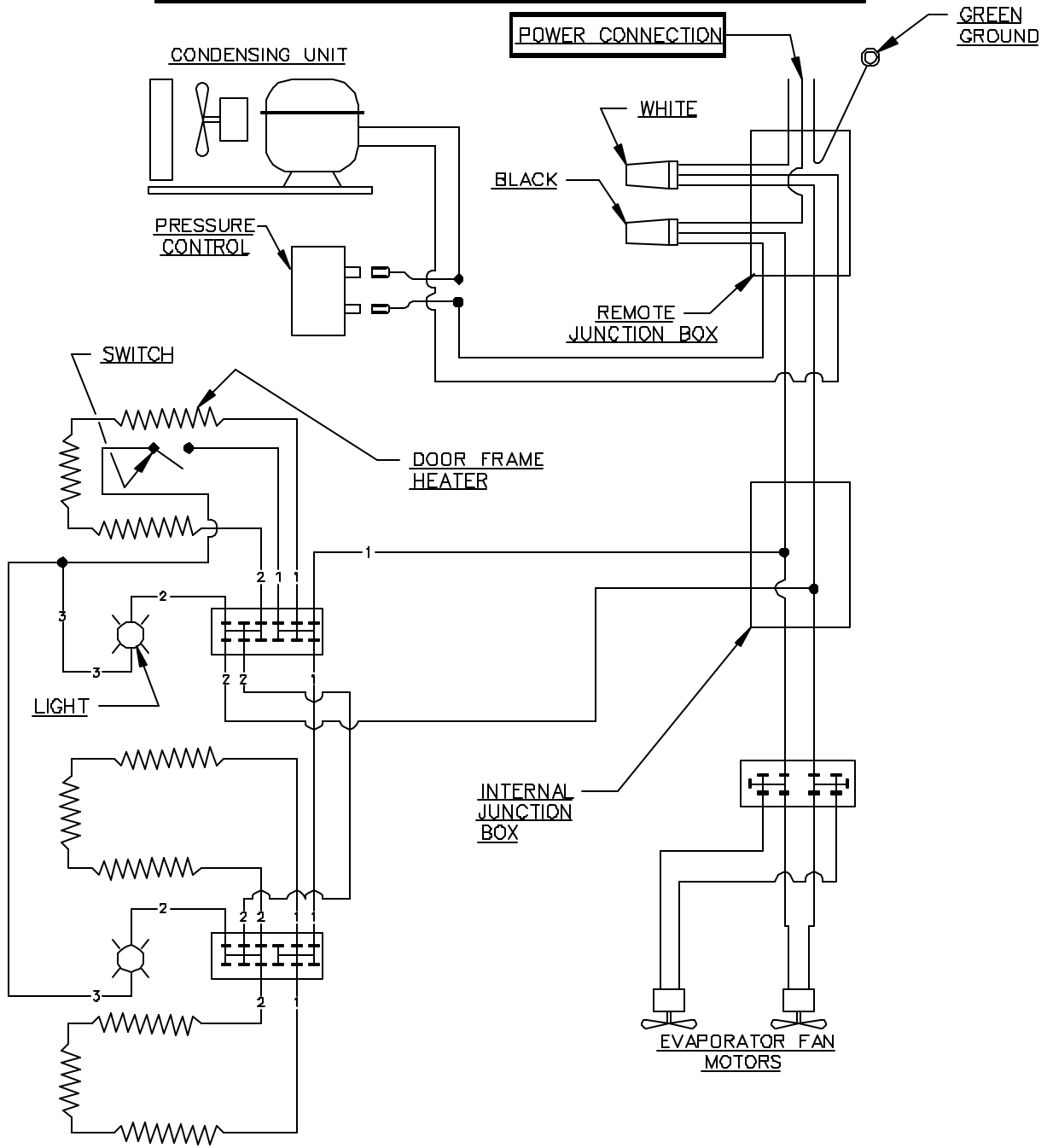
For Models C5063E and C5077 Two Door - Remote

WIRE DIRECT TO POWER SOURCE.
SEE DATA PLATE FOR
ELECTRICAL SPECIFICATIONS.



For Models C5064E and C5078 Three Door - Remote

WIRE DIRECT TO POWER SOURCE.
SEE DATA PLATE FOR
ELECTRICAL SPECIFICATIONS.



Wiring Diagrams

For Models C5065E and C5079 Four Door - Remote

WIRE DIRECT TO POWER SOURCE.
SEE DATA PLATE FOR
ELECTRICAL SPECIFICATIONS.

