

# STAINLESS STEEL BEER FAUCETS

## BEER FAUCETS

The stainless steel body is unique in both appearance and function. An innovative seat-forward design makes it the most sanitary faucet available anywhere. Because the internal parts are not exposed to air, the traditional sticking of the handle lever and build up of bacteria is eliminated. Being able to remove the spout makes cleaning much easier. The revolutionary seat-forward design and stainless body will help provide beer with a brewery fresh taste. Knob sold separately. Packed one to a carton.



No. 425SS



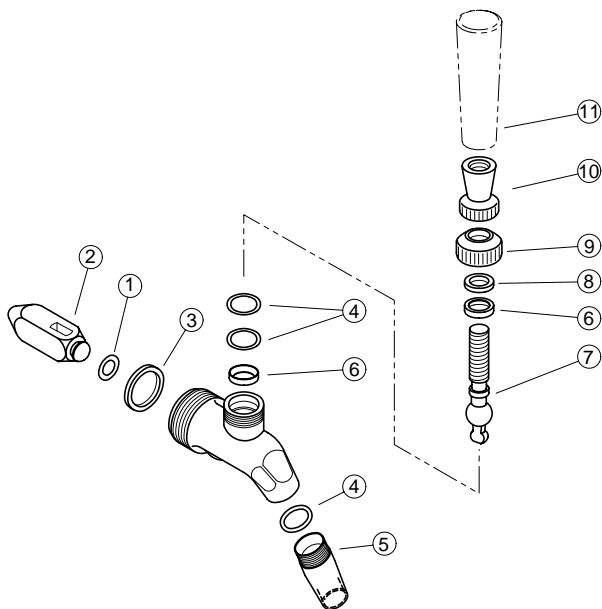
No. 425S

Part No.	Description
425SS	Stainless steel body, handle lever, shaft and spout
425SSTF	Same as 425SS with Tarnish-Free polished brass finish
425SSA	Stainless steel body and handle lever; plastic shaft and spout
425SSATF	Same as 425SSA with Tarnish-Free polished brass finish
425S	Stainless steel body, brass handle lever; plastic shaft and spout
425STF	Same as 425S with Tarnish-Free polished brass finish
43773-1	Cleaning adapter



No. 43773-1

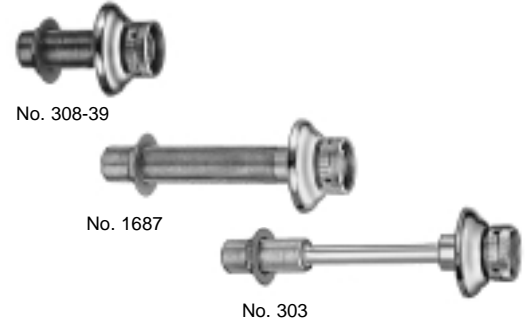
## Faucet Replacement Parts — 425 Series



Item	Part No.	Description
1	425-109	Shaft seat
2	425-2A	Shaft (Plastic)
2	425-2ASS	Shaft (S. Stl.)
3	308-3-2P	Coupling gasket
4	425-8	O-Ring (3 per assy.)
5	425-3	Spout (S. Stl.)
5	425-3TF	Spout (S. Stl. Tarnish Free)
5	425-3A	Spout (Plastic)
6	425-5	Bearing cups (2 per. assy.)
7	410-27	Handle lever (S. Stl.)
7	408-27	Handle lever (Brass)
8	307-8-2P	Bonnet washer
9	408-15	Bonnet (Chrome)
9	408-15TF	Bonnet (Tarnish Free)
10	408-16	Collar (Chrome)
10	408-16TF	Collar (Tarnish Free)
11	308-38	Knob

# BEER FAUCETS and SHANKS

**Tarnish-Free  
Polished Brass**



## Beer Faucets

Throw away your brass polish. Perlick tarnish-free polished brass faucets stay looking like new without tedious polishing. All Perlick beer faucets are designed to be the best faucets available on the market today. And they're made in the USA.

- Smooth bore spout and interior to reduce foaming.
- Teflon friction ring for smooth, easy operation
- Brass or stainless lever handle.

Available in Polished Chrome, Polished Brass, Tarnish-Free Polished Brass or Nickel-Plated. Furnished less knob. Packed one to a carton. Shipping Weight: 8 oz.

Part No.	Description
408X	Standard w/brass lever handle
408XPB	Polished brass w/brass lever handle
408XTF	Tarnish-free brass w/brass lvr. handle
408XN	Nickel plated w/brass lever handle
410X	Pol. chrome w/st. stl. lever handle
410XPB	Polished brass w/st. stl. lever handle
410XTF	Tarnish-free brass w/st. stl. lvr. handle
965AX	Polished chrome dual action*
965AXPB	Polished brass dual action*

\*Pull handle forward to dispense beer. Push handle back to create a foamy head.

## Faucets with Flow Control

Part No.	Description
307	Polished Chrome with Shank
307PB	Polished Brass with Shank
307X	Polished Chrome less Shank
307XPB	Polished Brass less Shank
307XSS	Stainless Steel less Shank

## Faucet Shanks $\frac{3}{16}$ " I.D. Bore for 408/410/965 Series Faucets Wall

Part No.*	Thickness
1686	1 1/2"
308-39	2 1/2"
1687	4 1/2"
1688	7"
1689	10"

## Special Length Faucet Shanks

Specify wall thickness.

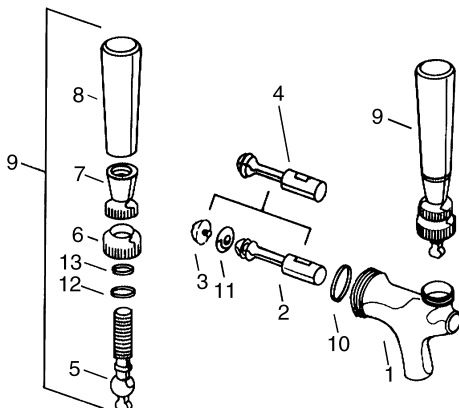
Part No.*	Description
303	Special length

\*For polished brass, add PB to part number and \$2.75 to price. For shank only (less fittings), add L to part number and deduct \$1.25 from price. For  $\frac{1}{4}$ " bore, add A to part number.

## Faucet Shanks for Flow Control Faucets

Part No.	Description
307-30	Chrome
307-30PB	Brass
43542	St. Steel

## Faucet Replacement Parts 408 and 410 Series



Item	Part No.	Description
1	308-1X*	Faucet body
2	408-2A*	Shaft
3	308-10N	Screw
4	43473-26*	Shaft assembly
5	408-27	Handle lever (Brass)
5	410-27	Handle lever (St. stl.)
6	408-15*	Compression bonnet
7	408-16*	Collar
8	308-38	Knob
9	408-25*	Handle assy. for No. 408
10	308-3-2P	Coupling gasket
11	307-3-2P	Seat washer
12	308-55	Friction ring
13	307-8-2P	Bonnet washer

\*Add PB for polished brass, TF for tarnish-free brass or N for nickel plated. Call Perlick for pricing.