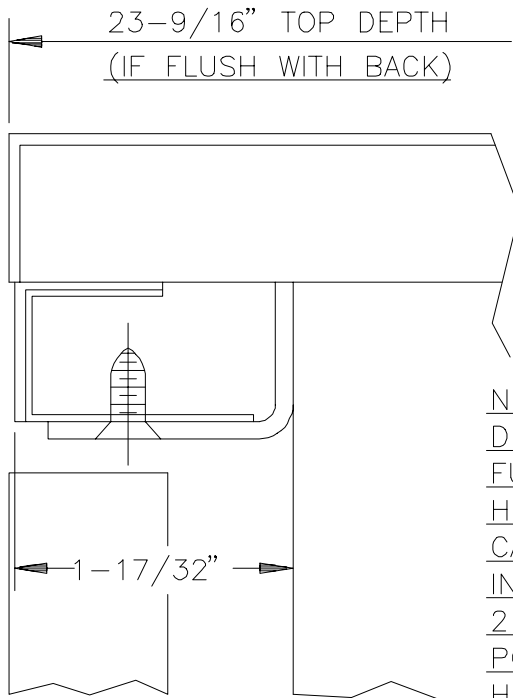
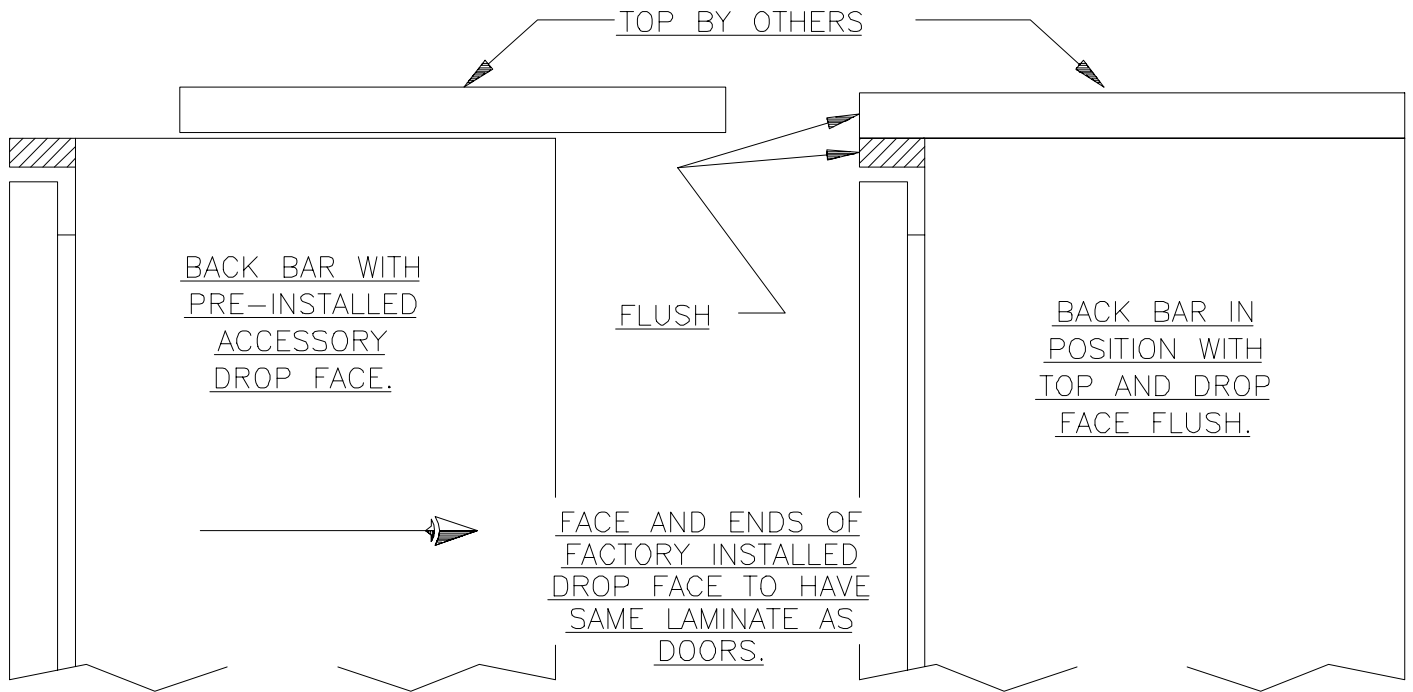
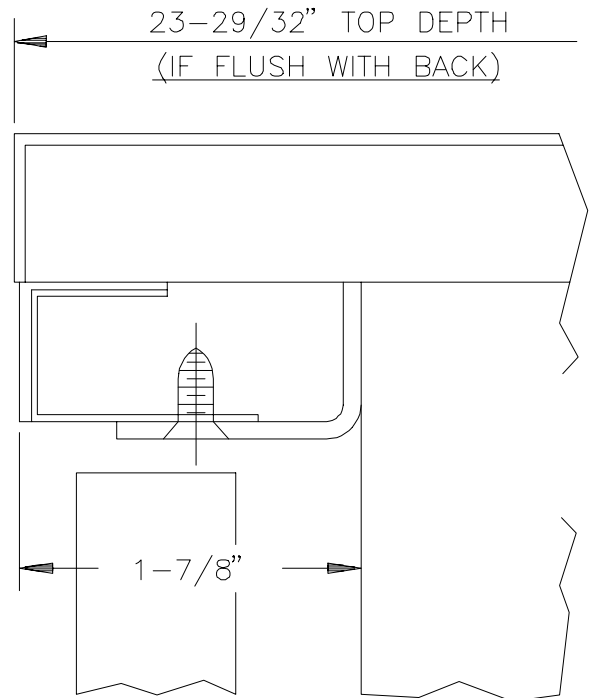


Installing a Drop Face



POSITION NO. 1

NOTE:
DROP FACE BRACKET
FURNISHED WITH 2
HOLES SO THAT IT
CAN BE LOCATED
IN EITHER OF THE
2 FRONT TO BACK
POSITIONS SHOWN
HERE.



POSITION NO. 2