



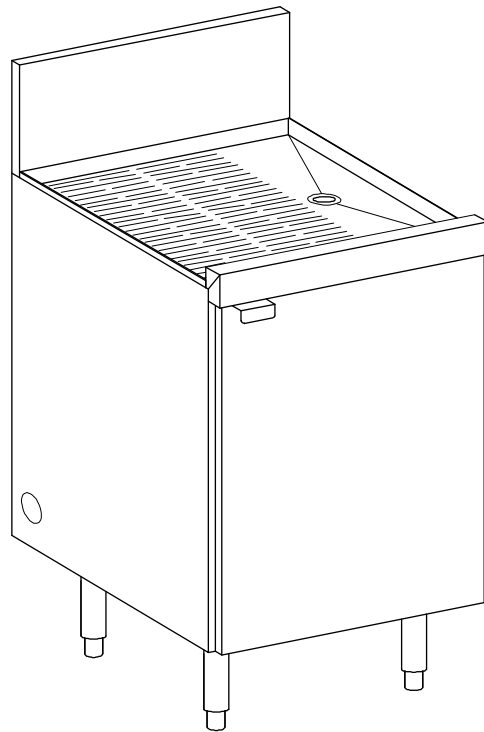
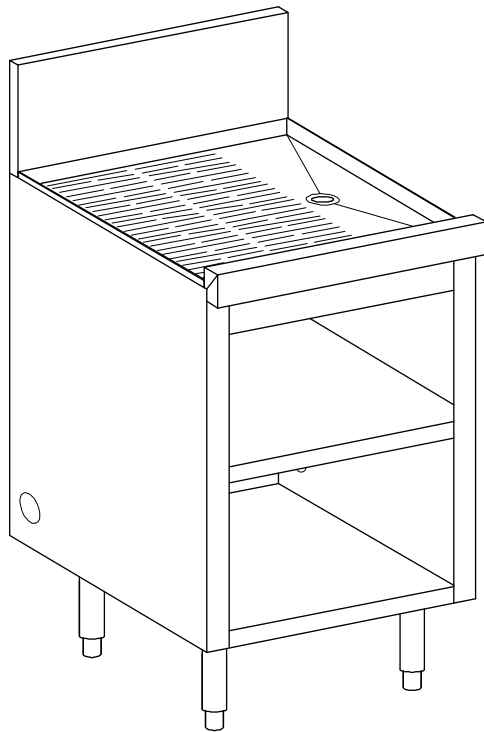
STORAGE CABINETS WITH FULL DRAINBOARD TOP (TSD DEPTH)

Perlick Features

- Embossed stainless steel drainboard.
- Adjustable stainless steel shelf.
- Optional door(s).

MODEL NOS.

- SC12
- SC18
- SC24
- SC30
- SC36
- SC48



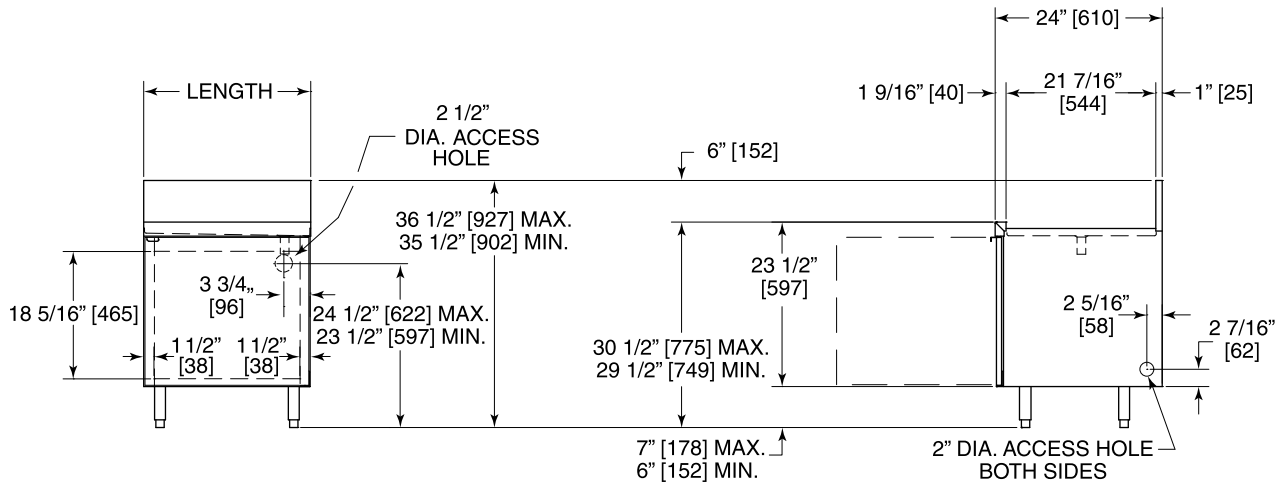
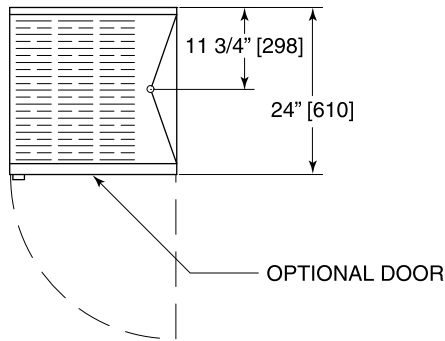
8300 West Good Hope Road • Milwaukee, WI 53223 • Phone 414-353-7060 • Fax 414-353-7069
Toll Free 800-558-5592 • E-Mail: Perlick@Perlick.com • www.Perlick.com



Sizes and Specifications Storage Cabinets with Full Drainboard Top (TSD Depth)

Job _____
 Area _____
 Item No. _____
 Model No. _____

| MODEL NOS. | SC12 | SC18 | SC24 | SC30 | SC36 | SC48 |
|--------------------|--|-----------|-----------|-----------|-----------|------------|
| LENGTH INS. (mm) | 12" (305) | 18" (457) | 24" (610) | 30" (762) | 36" (914) | 48" (1219) |
| Ship wt lbs. (kg) | 30 (14) | 40 (18) | 65 (30) | 80 (36) | 100 (45) | 120 (54) |
| GENERAL PARTS | Stainless steel. | | | | | |
| BACKSPLASH | Stainless steel 6" high (4" high optional) with 1" return at top, mechanically fastened and sealed with steel support brackets. | | | | | |
| DRAINBOARD | Embossed stainless steel, 21 ⁷ / ₁₆ " deep front to back. All horizontal and vertical edges 1/4" radius with ballbed corners. Underside reinforced with welded brackets. Stainless steel drain socket. | | | | | |
| SHELF | Adjustable shelf is reinforced stainless steel. | | | | | |
| LEGS | 1 ⁵ / ₈ " tubular, stainless steel with 1" adjustable stainless steel foot. | | | | | |
| PLUMBING | Drain connection - 1/2" NPS Male. | | | | | |
| DOOR(S) - OPTIONAL | Stainless steel outer and inner door panels. Dual magnetic catches per door. Note: Cabinets 30" or longer have two doors. | | | | | |



8300 West Good Hope Road • Milwaukee, WI 53223 • Phone 414-353-7060 • Fax 414-353-7069
 Toll Free 800-558-5592 • E-Mail: Perlick@Perlick.com • www.Perlick.com

Perlick is committed to continuous improvement.
 Therefore, we reserve the right to change specifications without prior notice.

Form No. SB03
 Rev. 08.15.07