

ONE TANK SINKS – STAINLESS STEEL BOWL



MODELS

TS Series

□ TS12HS

MODELS

TSD Series

□ TSD12HS



Perlick Features

- Deep drawn stainless steel bowl
- NSF listed, commercial grade hot/cold water faucet
- Underside is sound-deadened
- Stainless steel legs install without tools and have “Rust Free” thermoplastic feet



GENERATIONS OF
EXCELLENCE

Form No. SK02
Rev. 07.29.2011

Perlick[®]

8300 West Good Hope Road • Milwaukee, WI 53223 • Phone 414.353.7060 • Fax 414.353.7069
Toll Free 800.558.5592 • E-Mail perlick@perlick.com • www.perlick.com

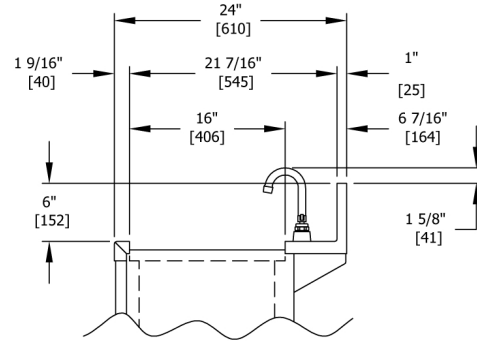
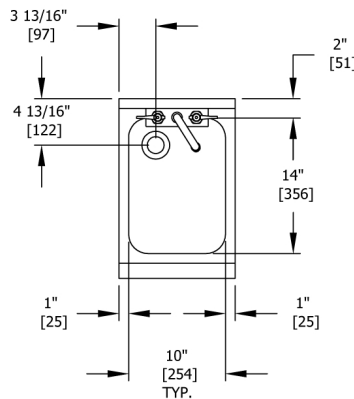
Size and Specifications

One Tank Sink – Stainless Steel Bowl

Job _____
 Area _____
 Item No. _____
 Model No. _____

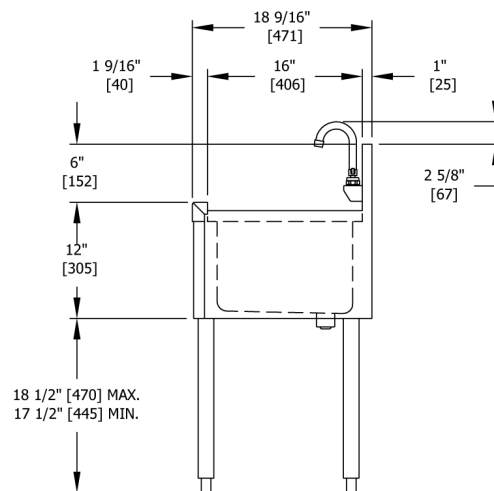
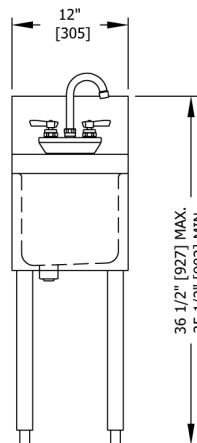


MODEL NO.	TS12HS	TSD12HS
LENGTH IN. (mm)	12" (305)	12" (305)
SHIP WEIGHT LB. (kg)	45 (20)	45 (20)
TOP & SIDES	Stainless steel	
BACK & BOTTOM	Galvanized steel	
BACKSPLASH	Stainless steel 6" high (4" high optional) with 1" return at the top, mechanically fastened and sealed to hand sink top with steel support brackets. TSD Series: Stainless steel rear deck	
LEGS	1-5/8" tubular, stainless steel with 1" adjustable thermoplastic foot.	
BOWL	Stainless steel with undercoating to absorb sound. 10"x14"x9-1/4" deep. All horizontal and vertical edges 1-1/2" radius with balled corners. Furnished with 1-1/2" stainless steel drain socket. 8-1/2" stand-pipe.	
WATER FAUCET	Chrome plated, hot and cold, 18" double-jointed swing spout faucet. Heavy-duty all brass construction. Must be ordered separately.	
PLUMBING	Drain connection: 1-1/2" NPS male. Hot and cold water connection, 3/8" copper supply tubes	Drain connection: 1-1/2" NPS male. Hot and cold water connection, 1/2" IPS shanks and nuts



TSD END VIEW

**Faucet shown for clarity; must be ordered separately.*



Form No. SK02
 Rev. 07.29.2011



8300 West Good Hope Road • Milwaukee, WI 53223 • Phone 414.353.7060 • Fax 414.353.7069
 Toll Free 800.558.5592 • E-Mail perlick@perlick.com • www.perlick.com

Perlick is committed to continuous improvement. Therefore, we reserve the right to change specifications without prior notice