

DROP-IN ICE CREAM UNIT

MODELS

Drop-In Series

□ 8000



Perlick Features

- Mounts into countertop
- Maintains proper ice cream temperature
- Fits in Perlick Ice Cream Center underbar module TS(D)24DC



GENERATIONS OF
EXCELLENCE

Form No. DC02
Rev. 09.20.2011



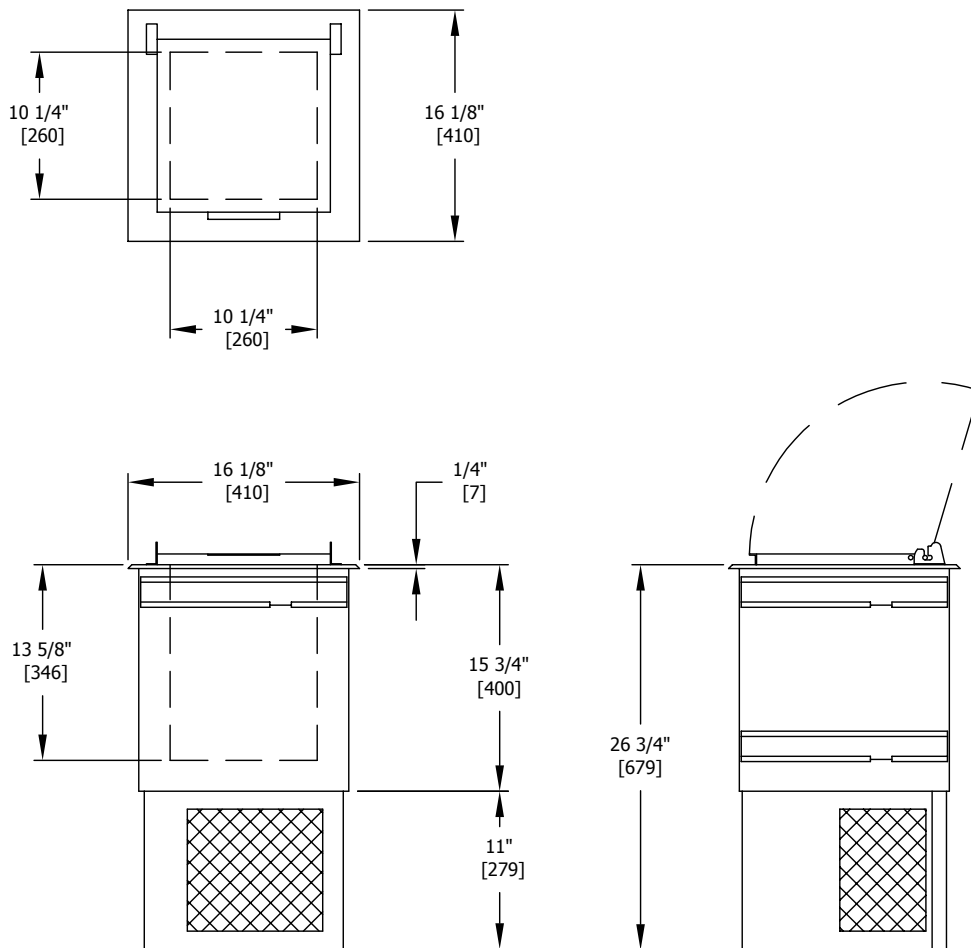
8300 West Good Hope Road • Milwaukee, WI 53223 • Phone 414.353.7060 • Fax 414.353.7069
Toll Free 800.558.5592 • E-Mail perlick@perlick.com • www.perlick.com

Size and Specifications

Drop-In Ice Cream Unit

Job _____
 Area _____
 Item No. _____
 Model No. _____

MODEL NOS.	8000
CAPACITY	3 Gallons
HEIGHT IN. [mm]	26-3/4" [680]
WIDTH IN. [mm]	16-1/8" [410]
DEPTH IN. [mm]	16-1/8" [410]
SHIP WEIGHT LBS. [kg]	114 [52]
COMPRESSOR H.P.	1/5 h.p.
AMPS	1.6
INTERIOR	Well dimensions: 13-5/8" [346] H x 10-1/4" [260] W x 10-1/4" [260] D
EXTERIOR	20 gauge stainless steel top and removable hinged door lid
ELECTRICAL	115 volt, 60 hz, 1 phase AC. Furnished with six foot rubber cord. Running load: 4 amps. Also available in 230 volt, 50 hz, 1 phase CE marked
REFRIGERANT AND CHARGE	R134a 5.5 oz. (142)



Form No. DC01
 Rev. 09.20.2011



8300 West Good Hope Road • Milwaukee, WI 53223 • Phone 414.353.7060 • Fax 414.353.7069
 Toll Free 800.558.5592 • E-Mail perlick@perlick.com • www.perlick.com

Perlick is committed to continuous improvement. Therefore, we reserve the right to change specifications without prior notice