

BOTTLE COOLERS — LOW TEMPERATURE



MODELS

- BC24LT SERIES
- BC36LT SERIES
- BC48LT SERIES
- BC60LT SERIES
- BC72LT SERIES
- BC96LT SERIES

Perlick Features

- Two, three, four, five, six and eight foot models
- Adjustable temperature control holds product at approximately 30°F
- Stainless steel interior standard
- Stainless or black vinyl coated exteriors
- Reinforced door mullion will not bend or sag
- Dent resistant heavy gauge doors
- Two-inch foamed-in-place walls save on energy costs and add strength
- Heavy duty construction
- 24-inch front to back dimension matches depth of underbar stainless steel
- Plug-in installation; no drain required
- Efficient, balanced refrigeration system
- Quiet running, high efficiency compressor
- Automatic defrost



BC24LT

(shown with optional opener, receiver and casters)



BC36LT

(shown with optional casters)



BC72LT

(shown with optional opener, receiver and casters)



GENERATIONS OF
EXCELLENCE

Form No. 071306
Rev. 12.01.2011



8300 West Good Hope Road • Milwaukee, WI 53223 • Phone 414.353.7060 • Fax 414.353.7069
Toll Free 800.558.5592 • E-Mail perlick@perlick.com • www.perlick.com

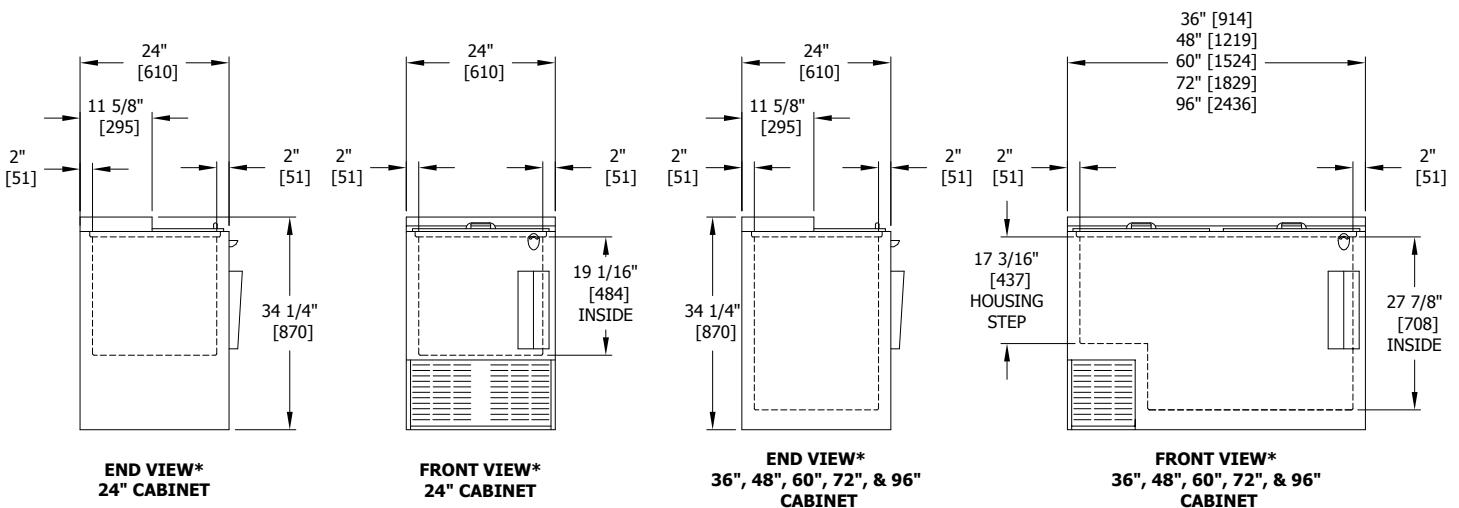
Size and Specifications

Bottle Coolers - Low Temperature



Job _____
 Area _____
 Item No. _____
 Model No. _____

| MODEL NO. | BC24LT | BC36LT | BC48LT | BC60LT | BC72LT | BC96LT | |
|--|---|-------------|--------------|--------------|--------------|--------------|------------|
| CABINET DIMENSIONS | Length - Inches (mm) | 24" (610) | 36" (915) | 48" (1219) | 60" (1524) | 72" (1828) | 96" (2438) |
| | Depth - Inches (mm) | 24" (610) | 24" (610) | 24" (610) | 24" (610) | 24" (610) | 24" (610) |
| | Height - Inches (mm) | 34" (864) | 34" (864) | 34" (864) | 34" (864) | 34" (864) | 34" (864) |
| INTERIOR CUBIC FOOT (m ³) | 3.75 (0.10) | 7.83 (0.22) | 11.68 (0.33) | 15.53 (0.44) | 19.38 (0.55) | 27.08 (0.77) | |
| CASE CAPACITY (based on 12 oz. long neck bottle) | 5.5 | 9.75 | 17.2 | 21 | 28.3 | 41 | |
| CASE CAPACITY (based on 12 oz. cans) | 7 | 16 | 25 | 30 | 36 | 58 | |
| CONDENSER UNIT H.P. | 1/5 | 1/5 | 1/4 | 1/3 | 1/3 | 1/3 | |
| RUNNING LOAD - AMPS | 3.2 | 3.0 | 5.2 | 7.0 | 6.9 | 7.6 | |
| SHIP WT. Lbs. (kg) | 190 (86) | 245 (111) | 300 (136) | 353 (160) | 405 (184) | 515 (235) | |
| INTERIOR | All models have stainless steel walls and floor | | | | | | |
| EXTERIOR | Choice of black, stainless steel and all stainless. All tops are stainless steel. Black Option: Front and ends are black vinyl coated steel, back and bottom are galvanized. Stainless Steel Option: Front and ends are stainless steel, back and bottom are galvanized. All Stainless Option: Front, ends, back and bottom are stainless steel. | | | | | | |
| TEMPERATURE | 30°F Low Temperature Models | | | | | | |
| DOORS (SLIDING) | Stainless steel top and bottom pans. Die cast handle. Optional locks. | | | | | | |
| REFRIGERATION | R134a capillary tube/type with hermetic condensing unit. Pulls out for service and cleaning. Factory set thermostat chills product to approximately 30°F. | | | | | | |
| ELECTRICAL | 115V, 60Hz, 1 Phase AC. Furnished with 6 foot rubber plug-in cord (115V model only). | | | | | | |
| PLUMBING | None required. Condensate evaporates automatically. | | | | | | |
| INSULATION | 2" Foamed-in-place polyurethane insulation | | | | | | |
| VENTILATION | All models require 2" clearance from wall either on left end or back of cabinet for proper air flow. | | | | | | |
| OPTIONAL ACCESSORIES | <ul style="list-style-type: none"> • Floor Racks • Bin Dividers • Interior light kit (installed) • Casters • Speed Rails • Adjustable Legs • Bottle opener and receiver • Wine Temperature (specify red or white) • Roller Basket Shelving • Interior Light • Door Locks | | | | | | |



*shown with optional opener and receiver.

Form No. 071306
 Rev. 12.01.2011



8300 West Good Hope Road • Milwaukee, WI 53223 • Phone 414.353.7060 • Fax 414.353.7069
 Toll Free 800.558.5592 • E-Mail perlick@perlick.com • www.perlick.com

Perlick is committed to continuous improvement. Therefore, we reserve the right to change specifications without prior notice