

# CENTURY SYSTEM POWER PAKS – WATER-COOLED

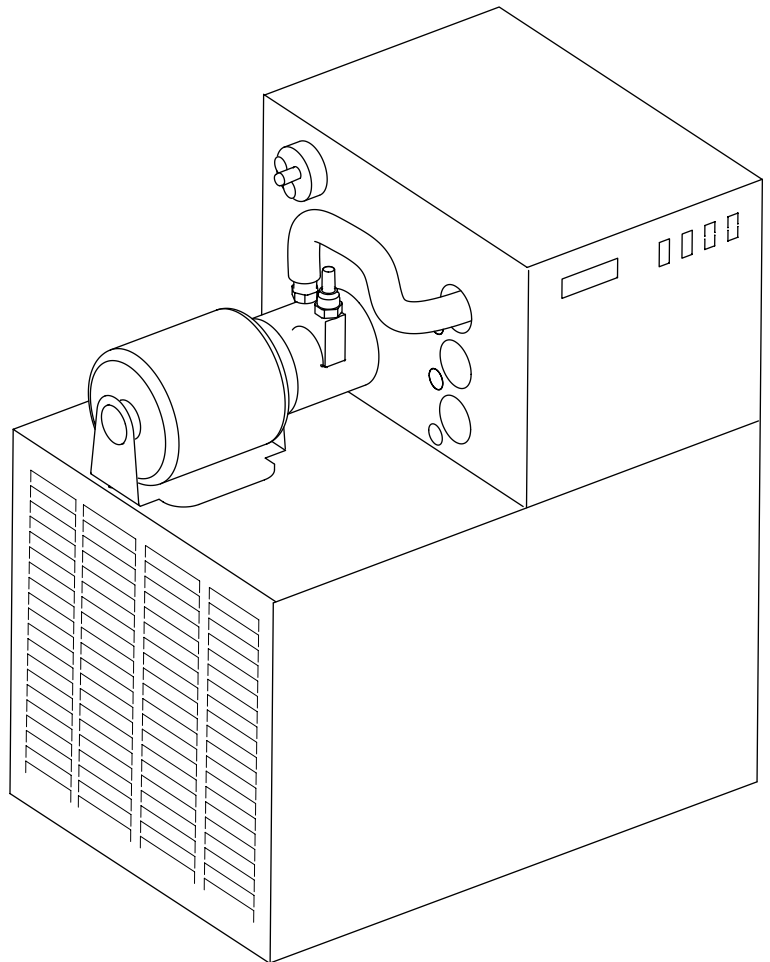
## Perlick Features

- 1/3, 1/2 and 3/4 HP 115 volt models.
  - 134a, constant pressure expansion valve and condensing unit with service valves.
  - Adjustable electronic temperature control with digital readout.
  - High efficiency, compact heat exchanger provides more efficiency for longer beer runs.
- | Horsepower | Length of run |
|------------|---------------|
| 1/3        | 150 feet      |
| 1/2        | 300 feet      |
| 3/4        | 500 feet      |

- Top mounted closed-coupled pump and 1/3 HP ball bearing motor assembly for easy service.
- Factory pre-mixed glycol guarantees performance.
- Optional leg kit for free standing off the floor installation.
- Optional multiple pump kits.

## MODEL NOS.

- 4404W Series
- 4410W Series
- 4414W Series

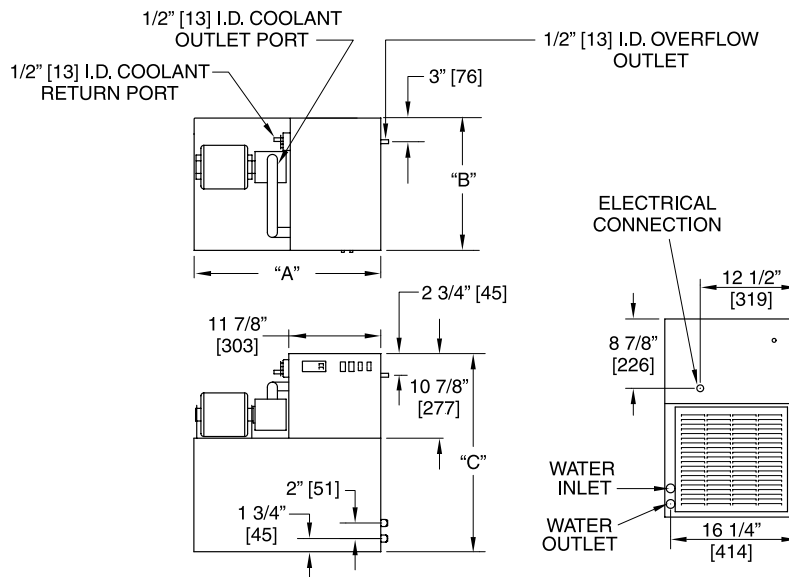


# Sizes and Specifications Century System Power Paks — Water-Cooled

Job \_\_\_\_\_  
 Area \_\_\_\_\_  
 Item No. \_\_\_\_\_  
 Model No. \_\_\_\_\_

| MODEL NOS.                      |   | 4404W  | 4410W         | 4414W   |
|---------------------------------|---|--|---------------|---|
| DIMENSIONS:                     | Length "A"  | 24 1/4" (616)  | 24 1/4" (616) | 26 3/4" (679)                                 |
|                                 | Width "B"   | 17 1/4" (438)  | 17 1/4" (438) | 20 1/4" (519)                                 |
|                                 | Height "C"  | 25 1/2" (648)  | 25 1/2" (648) | 31" (782)                                     |
|                                 | A minimum of six inches of clearance should be allowed around the entire unit for proper performance. Additional clearance should be considered for above the unit and in front of the unit for serviceability. |  |               |   |
| ELECTRICAL                      | Voltage   | 120 V  | 120 V         | 120 V   |
|                                 | Freq.   | 60 Hz  | 60 Hz         | 60 Hz   |
|                                 | Phase   | 1Ø   | 1Ø            | 1Ø  |
| SINGLE PUMP                     | RLA   | 9.7  | 12.7          | 13.4  |
|                                 | MCA   | 17.8   | 19.9          | 20.4  |
| DUAL PUMPS                      | RLA   | N/A  | 15.5          | 16.2  |
|                                 | MCA   | N/A  | 22.7          | 23.2  |
| TRIPLE PUMP                     | RLA   | N/A  | N/A           | N/A   |
|                                 | MCA   | N/A  | N/A           | N/A   |
| COMPRESSOR:                     |   | 1/3 HP   | 1/2 HP        | 3/4 HP  |
| Evaporator Rating @ 20°F (BTUH) |   | 3420   | 4080          | 6870  |
| HEAT REJECTION (MAX)            |   | 2050   | 2450          | 4122  |
| REFRIGERANT                     |   | R-134a   | R-134a        | R-134a  |
| SHIPPING WEIGHT LBS (kg)        |   | 141 (64)   | 143 (65)      | 205 (93)                                      |
| MAXIMUM FOOTAGE IN SYSTEM       |   | 150 ft.  | 300 ft.       | 500 ft.                                       |
| CABINET                         |   | Stainless Steel  |               |   |
| CIRCULATING PUMP                |   | 100 GPH / 150 PSIG   |               |   |
| RESERVOIR CAPACITY              |   | 1.75 gal   | 1.75 gal      | 1.75 gal                                      |
| REFRIGERATION:                  |   | Constant Pressure Expansion Valve, Condensing Unit with Service Valves |               |   |
| REFRIGERANT CHARGE (grams)      |   | 14.5 oz/410 g  | 14.5 oz/410 g | 22.0 oz/623 g                                 |
| GLYCOL CONCENTRATION            |   | 33%  | 33%           | 33%   |
| PLUMBING REQUIREMENTS           |   |  |               |   |
| INLET & OUTLET                  |   | All employ 1/2" O.D. Quick Connect Fittings                            |               |   |
| FLOW RATE (gpm) @ 75°F          |   | 0.5  | 0.6           | 0.9   |
| PRESSURE DROP (psig)            |   | 0.1  | 0.2           | 0.4   |
| MAX SUPPLY PRESSURE             |   | All Models: Incoming Water Pressure not to exceed 150 psig.            |               |   |
| OPTIONAL ACCESSORIES            | 4430  | 115V pump kit for 4410 power paks (Field Installed)                    | 61790         | Dual tier rack                                |
|                                 | 4431  | 115V pump kit for 4414 power pak (Field Installed)                     | 61791+1       | Triple tier rack                              |
|                                 | 4435  | BLM receptacle   | 61792+2       | Quad tier rack                                |
|                                 | 4408SS  | Wall bracket for 4404 & 4410 only                                      | C22296A-20    | Cord kit for 120V single pump power paks only |
|                                 | 57782   | Set of four adjustable legs  | C21499BSS     | Stainless steel table stand                   |
|                                 |   |  |               |   |

\*Note: Allow a minimum of six inches of clearance on the louvered ends of the cabinet for proper air flow. Allow accessibility room on top and front of cabinet for serviceability. Above specifications are subject to change without prior approval.



8300 West Good Hope Road • Milwaukee, WI 53223 • Phone 414-353-7060 • Fax 414-353-7069  
 Toll Free 800-558-5592 • E-Mail: Perlick@Perlick.com • www.Perlick.com