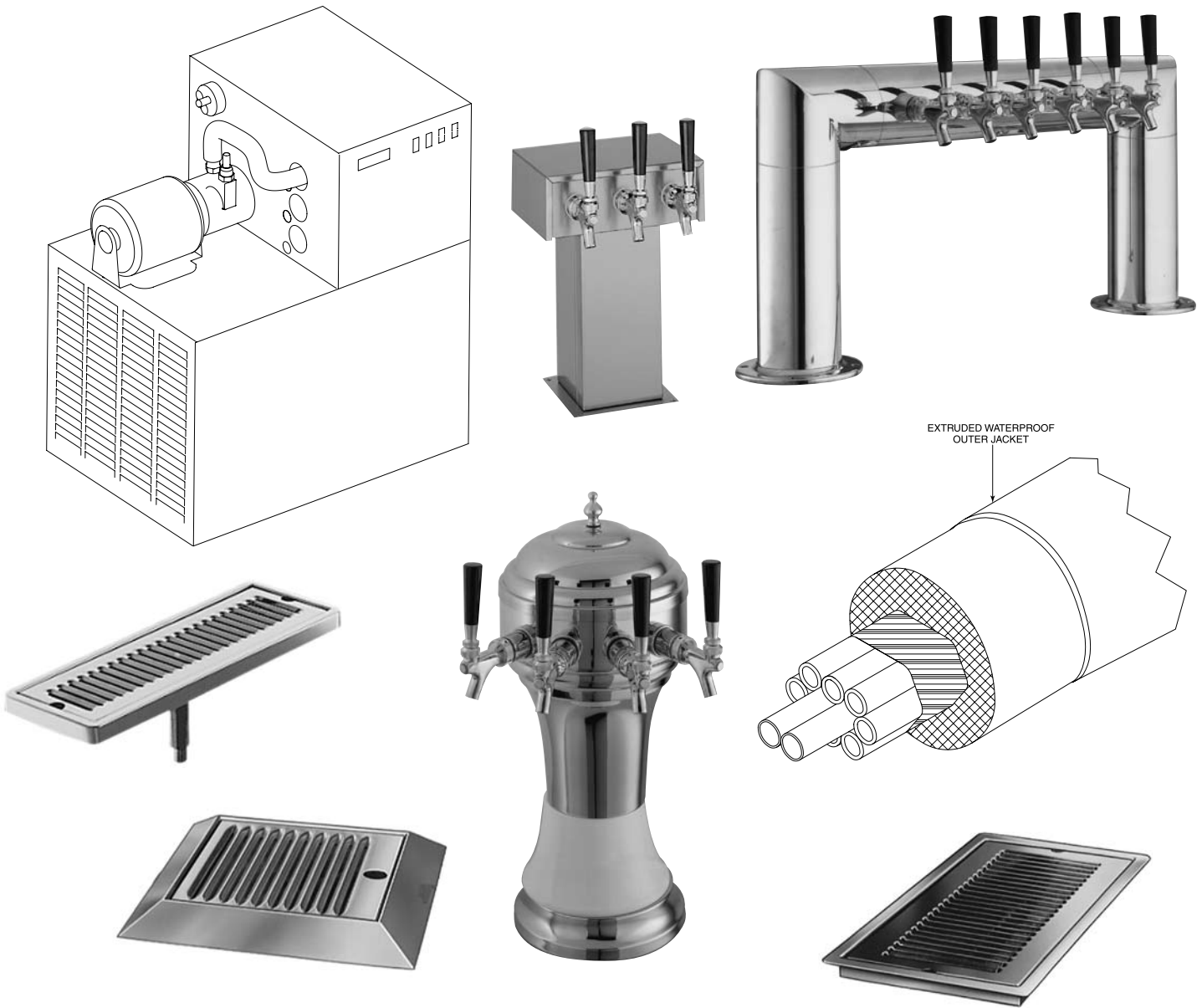




REMOTE BEVERAGE CUTSHEET CATALOG



NOTE:
*To navigate within this document please activate the **BOOKMARKS** panel
in your PDF reader program!*

REVISED DATE 09.09.09



8300 West Good Hope Road • Milwaukee, WI 53223 • Phone 414-353-7060 • Fax 414-353-7069
Toll Free 800-558-5592 • E-Mail: Perlick@Perlick.com • www.Perlick.com

CENTURY SYSTEM POWER PACKS

Air Cooled	3
Water Cooled.....	5

CENTURY SYSTEM TRUNK HOUSING

Trunk Housing	7
---------------------	---

DISPENSING HEADS

Winged Towers [Standard & Illuminated]	10
Winged Tee Towers [Standard & Illuminated].....	11
Winged Bridge Towers [Standard & Illuminated].....	12
Sexy Towers [Illuminated].....	13
Lucky Towers.....	14
Panther Towers.....	15
Seven Towers [Standard & Illuminated].....	16
Pipe Towers	17
Tee Towers and Bridge Tee Towers	18
Gambrinus Towers.....	19
Roma Towers	20
Napoli Towers.....	21
Torino Collar Towers	22
Torino Beam Towers	23
3" OD Draft Arms	24
4" OD Draft Arms	25
Spacesaver Dispensing Heads.....	26
Wall Mount Dispensing Heads	27

DRIP PANS

Top-Mounted.....	29
Angled.....	29
Recessed	30
Cutout	30
Spacesaver	30
Compatible Heads and Drip Pans	31/33

NOTE:

*To navigate within this document please activate the **BOOKMARKS** panel in your PDF reader program!*

CENTURY SYSTEM POWER PAKS – AIR-COOLED

Perlick Features

- 1/3, 1/2 and 3/4 HP 115V, and 3/4, 1 1/2 HP 230 volt models.
- 134a, constant pressure expansion valve and condensing unit with service valves.
- Adjustable electronic temperature control with digital readout.
- High efficiency, compact heat exchanger provides more efficiency for longer beer runs.

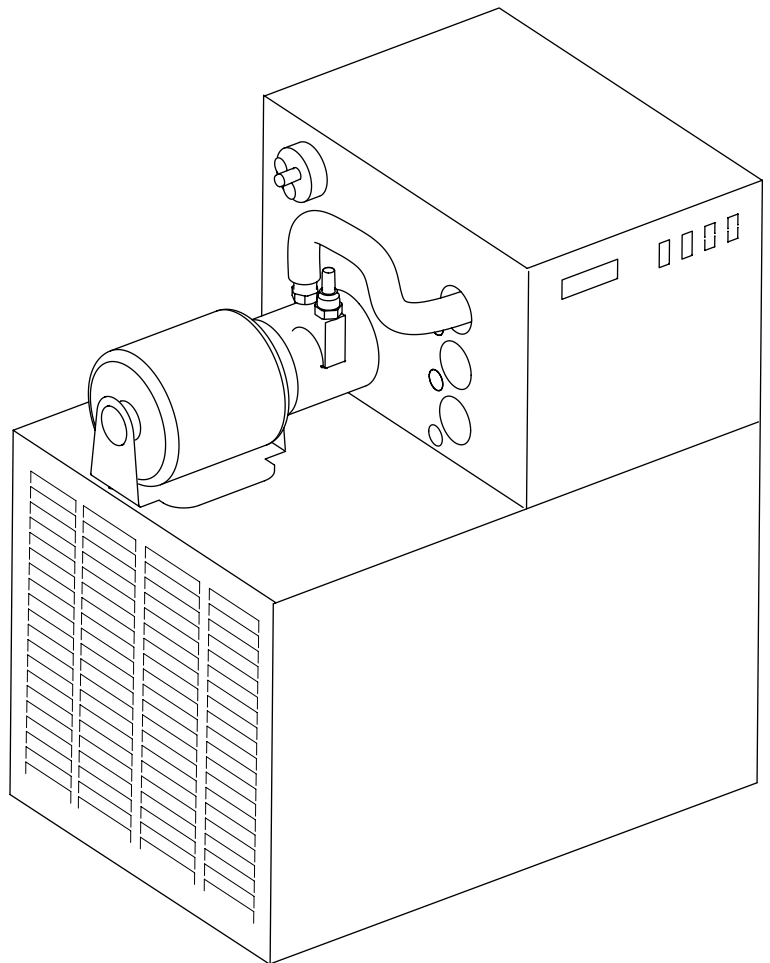
Horsepower	Length of run
1/3	150 feet
1/2	300 feet
3/4	500 feet
1 1/2	1,000 feet w/ multi-pumps (600ft. max in one direction)

Based on 75° degree ambient temperature

- Top mounted closed-coupled pump and 1/3 HP ball bearing motor assembly for easy service.
- Factory pre-mixed glycol guarantees performance.
- Optional leg kit for free standing off the floor installation.
- Optional multiple pump kits.

MODEL NOS.

- 4404 Series
- 4410 Series
- 4414 Series
- 4420 Series



8300 West Good Hope Road • Milwaukee, WI 53223 • Phone 414-353-7060 • Fax 414-353-7069
Toll Free 800-558-5592 • E-Mail: Perlick@Perlick.com • www.Perlick.com

Perlick is committed to continuous improvement. Therefore, we reserve the right to change specifications without prior notice.

Sizes and Specifications Century System Power Paks — Air-Cooled

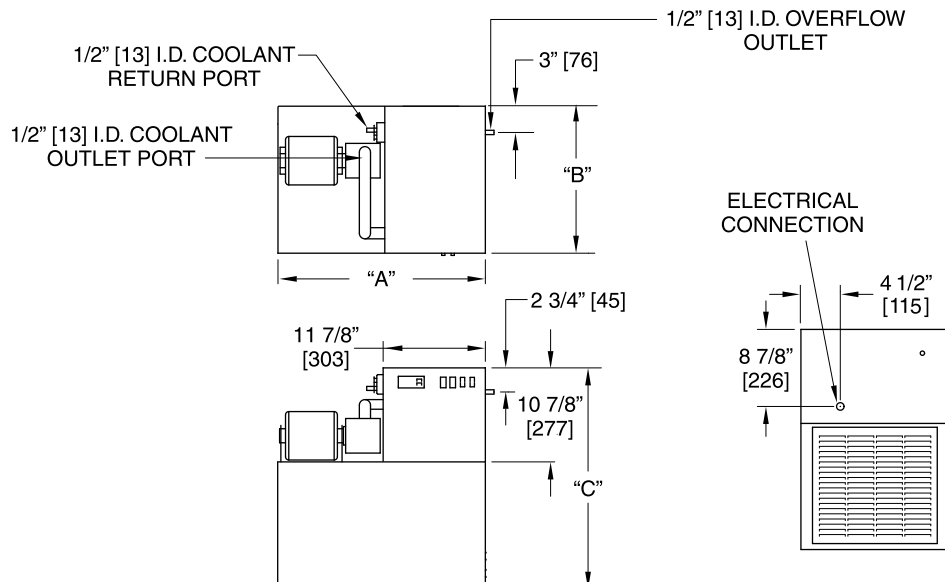
Job _____
 Area _____
 Item No. _____
 Model No. _____

MODEL NOS.		4404	4410	4414	4414-230	4420
DIMENSIONS: EXTERIOR (mm)	Length "A"	24 1/4" (616)	24 1/4" (616)	24 1/4" (616)	26 3/4" (679)	26 3/4" (679)
	Width "B"	17 1/4" (438)	17 1/4" (438)	17 1/4" (438)	20 1/4" (519)	20 1/4" (519)
	Height "C"	25 1/2" (648)	25 1/2" (648)	25 1/2" (648)	31" (782)	31" (782)
	A minimum of six inches of clearance should be allowed around the entire unit for proper performance. Additional clearance should be considered for above the unit and in front of the unit for serviceability.					
ELECTRICAL	Voltage	120 V	120 V	120 V	208/230 V***	208/230 V***
	Freq.	60 Hz	60 Hz	60 Hz	60 Hz	60 Hz
	Phase	1Ø	1Ø	1Ø	1Ø	1Ø
SINGLE PUMP	RLA	10.5	12.5	15.4	8.9	16.5
	MCA	16.9	17.7	19.6	12.2	23.9
DUAL PUMPS	RLA	N/A	18.6	21.0	11.7	19.3
	MCA	N/A	23.8	25.2	15.0	26.7
TRIPLE PUMP	RLA	N/A	N/A	N/A	14.5	22.1
	MCA	N/A	N/A	N/A	17.8	29.5
COMPRESSOR:		1/3 HP	1/2 HP	3/4 HP	3/4 HP	1.5 HP
EVAPORATOR RATING @ 20°F (BTUH)		2550	3800	6000	6300	12000
HEAT REJECTION (MAX)		4080	6080	9600	10080	19200
REFRIGERANT		R-134a	R-134a	R-134a	R-134a	R-134a
SHIPPING WEIGHT LBS (kg)		140 (64)	153 (69)	180 (82)	205 (93)	255 (116)
MAXIMUM FOOTAGE IN SYSTEM (Based on 75 degree ambient)		150 ft.	300 ft.	500 ft.	500 ft.	600 ft. (1000xx)
CABINET		Stainless Steel				
CIRCULATING PUMP		100 GPH / 150 PSIG				
RESERVOIR CAPACITY		1.75 gal	1.75 gal	1.75 gal	1.75 gal	1.75 gal
REFRIGERATION:		Constant Pressure Expansion Valve, Condensing Unit with Service Valves				
REFRIGERANT CHARGE (grams)		9.0 oz/255 g	8.0 oz/227 g	9.5 oz/269 g	14.5 oz/410 g	16.0 oz/453 g
GLYCOL CONCENTRATION		33%	33%	33%	33%	33%
OPTIONAL ACCESSORIES	4430	115V pump kit for 4410 power paks (Field Installed)		57782	Set of four adjustable legs	
	4431	115V pump kit for 4414 power pak (Field Installed)		61790	Dual tier rack	
	4432	208/230V pump kit for 4414/230V and 4420 power paks (Field Installed)		61791+1	Triple tier rack	
	4435	BLM receptacle		61792+2	Quad tier rack	
	4408SS	Wall bracket for 4404 & 4410 only		C22296A-20	Cord kit for 120V single pump power paks only	
				C21499BSS	Stainless steel table stand	

*Note: Allow a minimum of six inches of clearance on the louvered ends of the cabinet for proper air flow. Allow accessibility room on top and front of cabinet for serviceability.

**Using two or three pump combinations. Above specifications are subject to change without prior approval.

***Requires four wires (2 hot, 1 neutral and 1 ground).



8300 West Good Hope Road • Milwaukee, WI 53223 • Phone 414-353-7060 • Fax 414-353-7069
 Toll Free 800-558-5592 • E-Mail: Perlick@Perlick.com • www.Perlick.com

CENTURY SYSTEM POWER PAKS – WATER-COOLED

Perlick Features

- $\frac{1}{3}$, $\frac{1}{2}$ and $\frac{3}{4}$ HP 115 volt models.
- 134a, constant pressure expansion valve and condensing unit with service valves.
- Adjustable electronic temperature control with digital readout.
- High efficiency, compact heat exchanger provides more efficiency for longer beer runs.

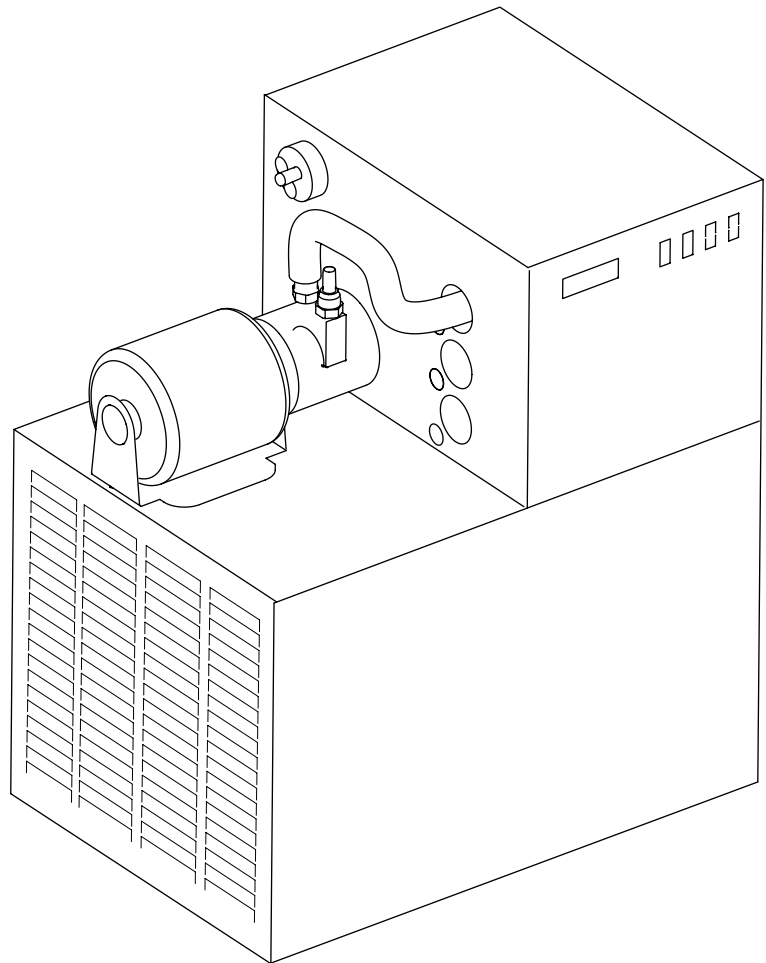
Horsepower	Length of run
$\frac{1}{3}$	150 feet
$\frac{1}{2}$	300 feet
$\frac{3}{4}$	500 feet

Based on 75 degree ambient temperature.

- Top mounted closed-coupled pump and $\frac{1}{3}$ HP ball bearing motor assembly for easy service.
- Factory pre-mixed glycol guarantees performance.
- Optional leg kit for free standing off the floor installation.
- Optional multiple pump kits.

MODEL NOS.

- 4404W Series
- 4410W Series
- 4414W Series



8300 West Good Hope Road • Milwaukee, WI 53223 • Phone 414-353-7060 • Fax 414-353-7069
Toll Free 800-558-5592 • E-Mail: Perlick@Perlick.com • www.Perlick.com

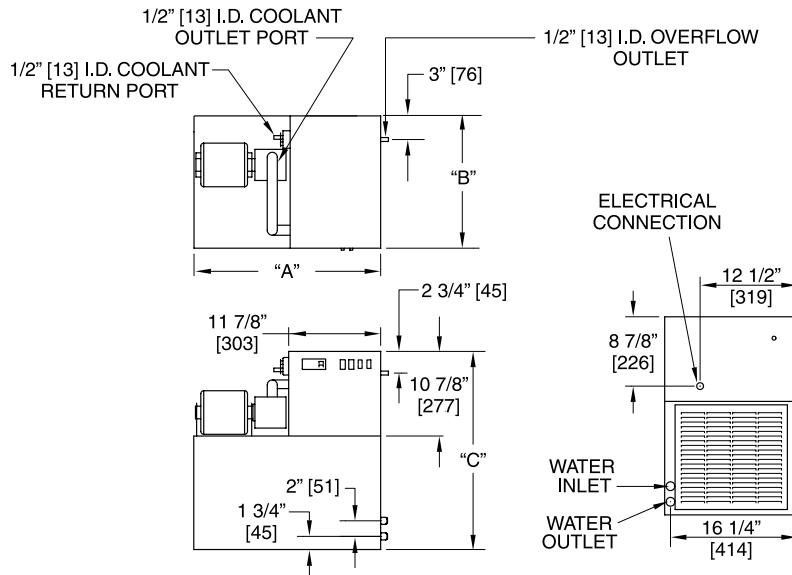
Perlick is committed to continuous improvement. Therefore, we reserve the right to change specifications without prior notice.

Sizes and Specifications Century System Power Paks — Water-Cooled

Job _____
 Area _____
 Item No. _____
 Model No. _____

MODEL NOS.		4404W	4410W	4414W
DIMENSIONS:	Length "A"	24 1/4" (616)	24 1/4" (616)	26 3/4" (679)
	Width "B"	17 1/4" (438)	17 1/4" (438)	20 1/4" (519)
	Height "C"	25 1/2" (648)	25 1/2" (648)	31" (782)
A minimum of six inches of clearance should be allowed around the entire unit for proper performance. Additional clearance should be considered for above the unit and in front of the unit for serviceability.				
ELECTRICAL	Voltage	120 V	120 V	120 V
	Freq.	60 Hz	60 Hz	60 Hz
	Phase	1Ø	1Ø	1Ø
SINGLE PUMP	RLA	9.7	12.7	13.4
	MCA	17.8	19.9	20.4
DUAL PUMPS	RLA	N/A	15.5	16.2
	MCA	N/A	22.7	23.2
TRIPLE PUMP	RLA	N/A	N/A	N/A
	MCA	N/A	N/A	N/A
COMPRESSOR:		1/3 HP	1/2 HP	3/4 HP
EVAPORATOR RATING @ 20°F (BTUH)		3420	4080	6870
HEAT REJECTION (Max)		2050	2450	4122
REFRIGERANT		R-134a	R-134a	R-134a
SHIPPING WEIGHT LBS (kg)		141 (64)	143 (65)	205 (93)
MAXIMUM FOOTAGE IN SYSTEM (Based on 75 degree ambient)		150 ft.	300 ft.	500 ft.
CABINET		Stainless Steel		
CIRCULATING PUMP		100 GPH / 150 PSIG		
RESERVOIR CAPACITY		1.75 gal	1.75 gal	1.75 gal
REFRIGERATION:		Constant Pressure Expansion Valve, Condensing Unit with Service Valves		
REFRIGERANT CHARGE (grams)		14.5 oz/410 g	14.5 oz/410 g	22.0 oz/623 g
GLYCOL CONCENTRATION		33%	33%	33%
PLUMBING REQUIREMENTS				
INLET & OUTLET		All employ 1/2" O.D. Quick Connect Fittings		
FLOW RATE (gpm) @ 75°F		0.5	0.6	0.9
PRESSURE DROP (psig)		0.1	0.2	0.4
MAX SUPPLY PRESSURE		All Models: Incoming Water Pressure not to exceed 150 psig.		
OPTIONAL ACCESSORIES	4430	115V pump kit for 4410 power paks (Field Installed)	61790	Dual tier rack
	4431	115V pump kit for 4414 power pak (Field Installed)	61791+1	Triple tier rack
	4435	BLM receptacle	61792+2	Quad tier rack
	4408SS	Wall bracket for 4404 & 4410 only	C22296A-20	Cord kit for 120V single pump power paks only
	57782	Set of four adjustable legs	C21499BSS	Stainless steel table stand
	54838	Water hammer arrestor (add if incoming water is under 65°F)		

*Note: Allow a minimum of six inches of clearance on the louvered ends of the cabinet for proper air flow. Allow accessibility room on top and front of cabinet for serviceability. Above specifications are subject to change without prior approval.



8300 West Good Hope Road • Milwaukee, WI 53223 • Phone 414-353-7060 • Fax 414-353-7069
 Toll Free 800-558-5592 • E-Mail: Perlick@Perlick.com • www.Perlick.com

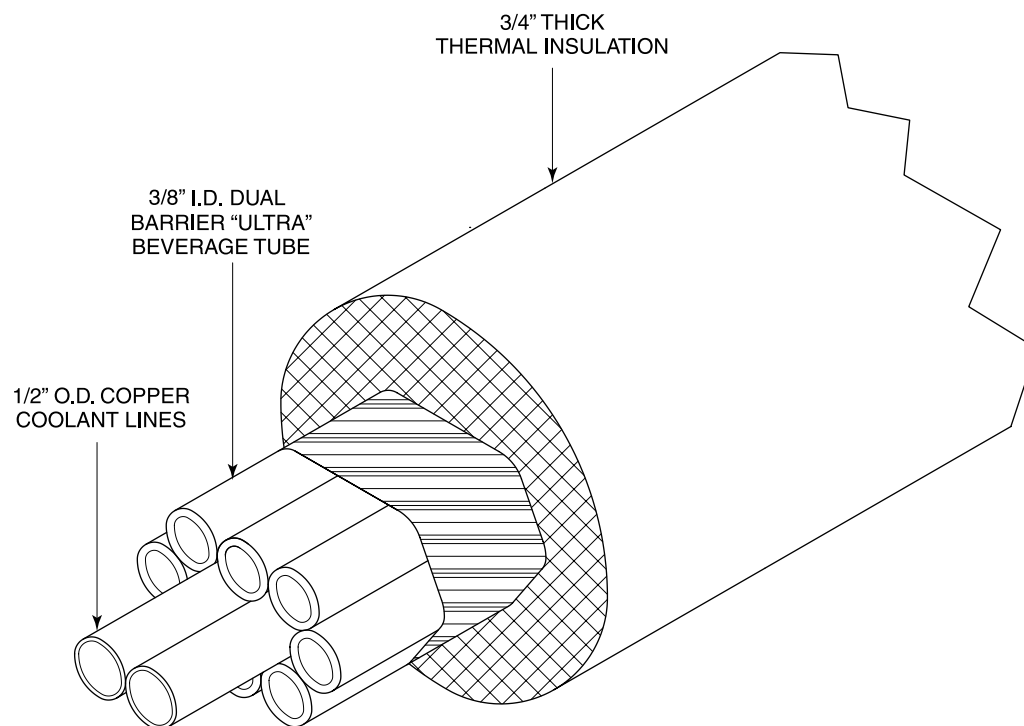
CENTURY BEER SYSTEM TRUNK HOUSING

Perlick Features

- 3/8" I.D. NSF-51/NSF-61 accepted dual-barrier "ULTRA" beer tubing
- 1/2" O.D. copper coolant lines
- 3/4" thick thermal insulation
- Optional waterproof abrasive resistant extruded jacket
- Optional Saint Gobain 3/8" I.D. beer tubing

MODEL NOS.

□ 4220 Series

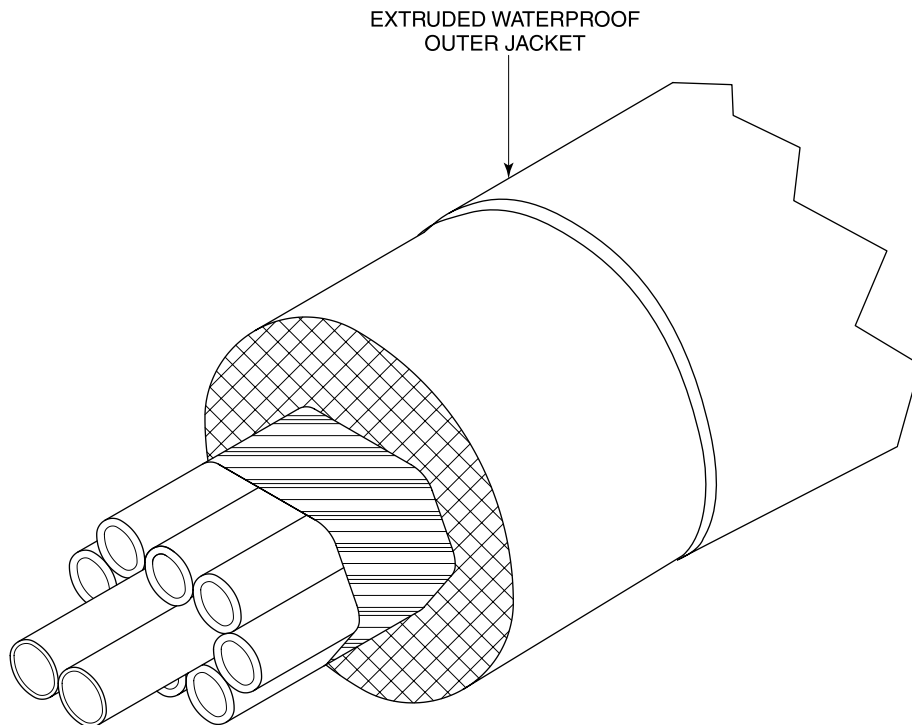


8300 West Good Hope Road • Milwaukee, WI 53223 • Phone 414-353-7060 • Fax 414-353-7069
Toll Free 800-558-5592 • E-Mail: Perlick@Perlick.com • www.Perlick.com

Sizes and Specifications Century System Trunk Housing

Job _____
 Area _____
 Item No. _____
 Model No. _____

MODEL NOS.	4220 Series
GENERAL	Trunk housings are custom-fabricated at the factory for each installation..
PRODUCT LINES	Up to 24 product lines standard. 16, 20 and 24 line trunk housings available. Call Perlick Milwaukee for details. Each line is number coded for ease of install. All beverage lines have dual-barrier "ULTRA" tubing to hold in CO2 and keep out oxygen — truly flushable allowing ease of product changes. Optimum permeation resistance.
COOLANT LINES	1/2" copper tubing. A Perlick exclusive. All product lines are in direct contact with copper coolant lines.
INSULATION	3/4" thick thermal insulation. 25/50 flame and smoke rating. Tested by ASTM E84/and CAN/ULC S102. Method of test for surface burning characteristics of building materials.
OPTIONAL	Extruded PVC jacket to prevent water saturation of insulation. Available only in 80 ft. and 150 ft. lengths of 6, 8, or 10 line trunk housing and 100 ft. lengths of 6 and 8 line trunk housing. Saint Gobain 3/8" Synflex Taste-Rite tubing.



8300 West Good Hope Road • Milwaukee, WI 53223 • Phone 414-353-7060 • Fax 414-353-7069
 Toll Free 800-558-5592 • E-Mail: Perlick@Perlick.com • www.Perlick.com

DISPENSING HEADS

Perlick Features

- Pure copper coolant lines and cold block maintain chilled beverage temperature.
- Insulated dispensing head ensures a perfect temperature right up to the faucet.
- Factory-balanced restrictors control beverage flow and assure solid beer from the faucet with every pour.
- Available in a variety of styles and finishes.
- European style dispensing heads available with illuminated medallions to enhance branding.



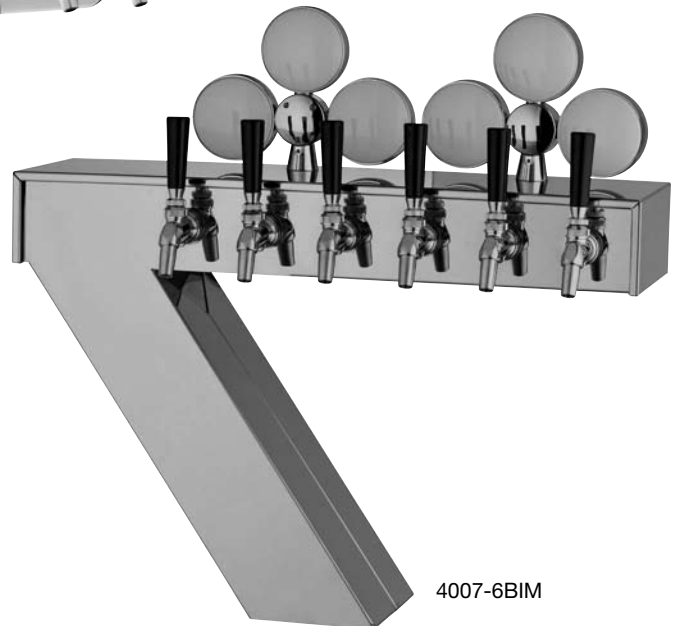
Century dispensing heads are insulated right up to the faucet, eliminating hot spots which cause over-foaming.



4045-3BIM



66500-6B



4007-6BIM



8300 West Good Hope Road • Milwaukee, WI 53223 • Phone 414-353-7060 • Fax 414-353-7069
Toll Free 800-558-5592 • E-Mail: Perlick@Perlick.com • www.Perlick.com

Sizes and Specifications Winged Towers & Winged Towers with Illuminated Medallions

Job _____
 Area _____
 Item No. _____
 Model No. _____

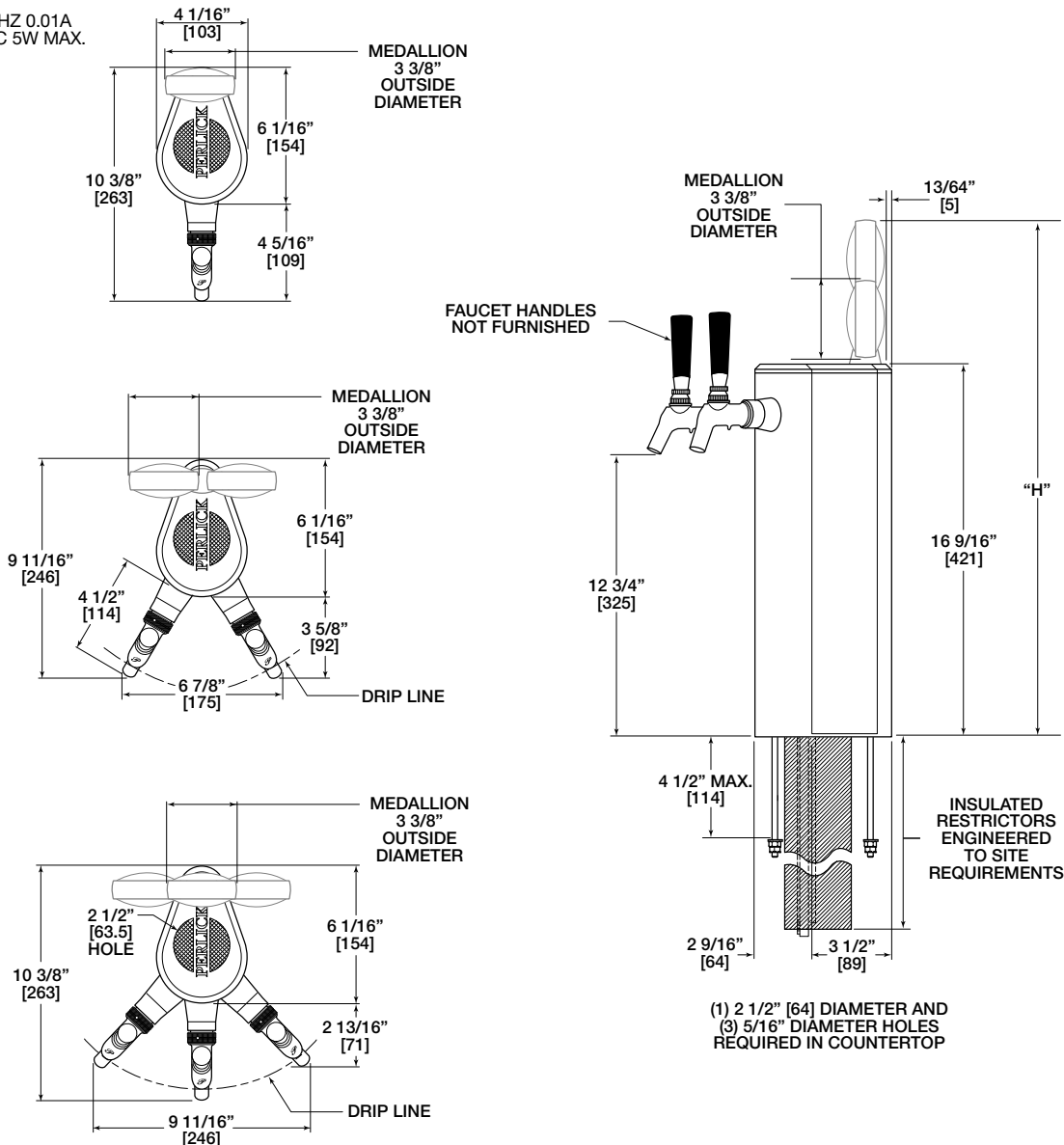
WINGED TOWERS

MODEL NOS.	Stainless Steel	66500-1B	66500-2B	66500-3B
	Polished Chrome	66500-1BPC	66500-2BPC	66500-3BPC
	Tarnish Free Brass (PVD)	66500-1BTF	66500-2BTF	66500-3BTF
NUMBER OF FAUCETS		1	2	3
OPTIONS AND ACCESSORIES		• Matching Drainers		• Faucet Locks

WINGED TOWERS with ILLUMINATED MEDALLIONS with CHROME TRIM

MODEL NOS.	Stainless Steel	66500-1BIM	66500-2BIM	66500-3BIM
	Polished Chrome	66500-1BPCIM	66500-2BPCIM	66500-3BPCIM
	Tarnish Free Brass (PVD)	66500-1BTFIM	66500-2BTFIM	66500-3BTFIM
NUMBER OF FAUCETS and ILLUMINATED MEDALLIONS		1	2	3
DIMENSION "H" Inches (mm)		20 ⁷ / ₈ " (530)	20 ¹ / ₁₆ " (510)	22 ³ / ₄ " (578)
NUMBER OF ELECTRICAL TRANSFORMERS*		1	1	1
OPTIONS AND ACCESSORIES		• Matching Drainers		• Faucet Locks

* INPUT: 120V 60 HZ 0.01A
 OUTPUT: 12V DC 5W MAX.



8300 West Good Hope Road • Milwaukee, WI 53223 • Phone 414-353-7060 • Fax 414-353-7069
 Toll Free 800-558-5592 • E-Mail: Perlick@Perlick.com • www.Perlick.com

Sizes and Specifications Winged Tee-Towers Winged Tee-Towers with Illuminated Medallions

Job _____
 Area _____
 Item No. _____
 Model No. _____

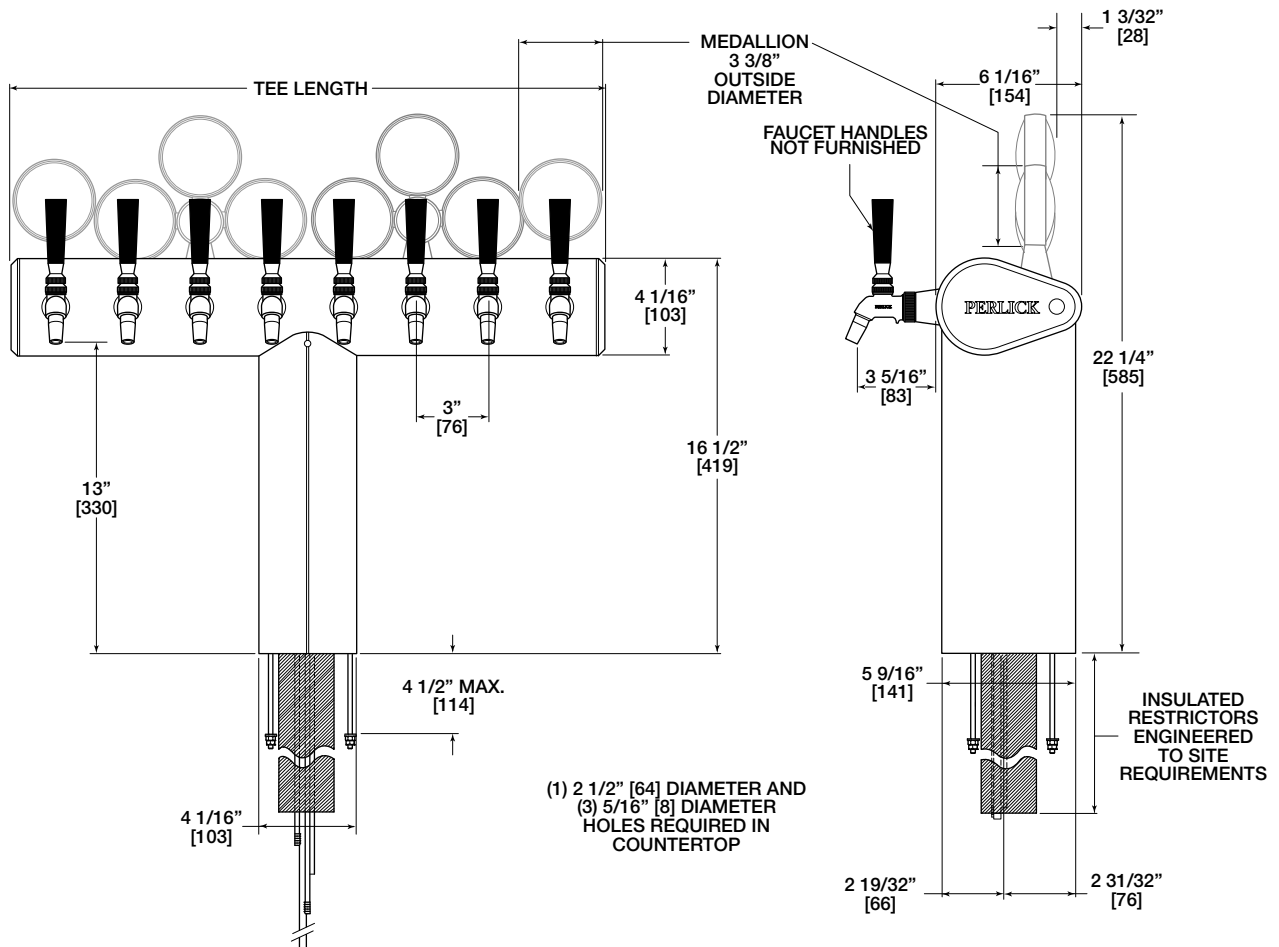
WINGED TEE-TOWERS

MODEL NOS.	Stainless Steel	66500-4B	66500-5B	66500-6B	66500-S8B
	Polished Chrome	66500-4BPC	66500-5BPC	66500-6BPC	66500-S8BPC
	Tarnish-Free Brass (PVD)	66500-4BTF	66500-5BTF	66500-6BTF	66500-S8BTF
NUMBER OF FAUCETS		4	5	6	8
TEE LENGTH INCHES (mm)		12¾" (324)	15¾" (400)	18¾" (476)	24¾" (629)
FAUCET CENTERS INCHES (mm)		3" (76)	3" (76)	3" (76)	3" (76)
OPTIONS AND ACCESSORIES		• Matching drainers		• Faucet locks	

WINGED TEE-TOWERS with ILLUMINATED MEDALLIONS with CHROME TRIM

MODEL NOS.	Stainless Steel	66500-4BIM	66500-5BIM	66500-6BIM	66500-S8BIM
	Polished Chrome	66500-4BPCIM	66500-5BPCIM	66500-6BPCIM	66500-S8BPCIM
	Tarnish-Free Brass (PVD)	66500-4BTFIM	66500-5BTFIM	66500-6BTFIM	66500-S8BTFIM
NUMBER OF FAUCETS and ILLUMINATED MEDALLIONS		4	5	6	8
TEE LENGTH INCHES (mm)		12¾" (324)	15¾" (400)	18¾" (476)	24¾" (629)
FAUCET CENTERS INCHES (mm)		3" (76)	3" (76)	3" (76)	3" (76)
NUMBER OF ELECTRICAL TRANSFORMERS*		2	3	2	4
OPTIONS AND ACCESSORIES		• Matching drainers		• Faucet locks	

* INPUT: 120V 60 HZ 0.01A — OUTPUT: 12V DC 5W MAX.



8300 West Good Hope Road • Milwaukee, WI 53223 • Phone 414-353-7060 • Fax 414-353-7069
 Toll Free 800-558-5592 • E-Mail: Perlick@Perlick.com • www.Perlick.com

Sizes and Specifications Winged Bridge Towers & Winged Bridge Towers with Illuminated Medallions

Job _____
 Area _____
 Item No. _____
 Model No. _____

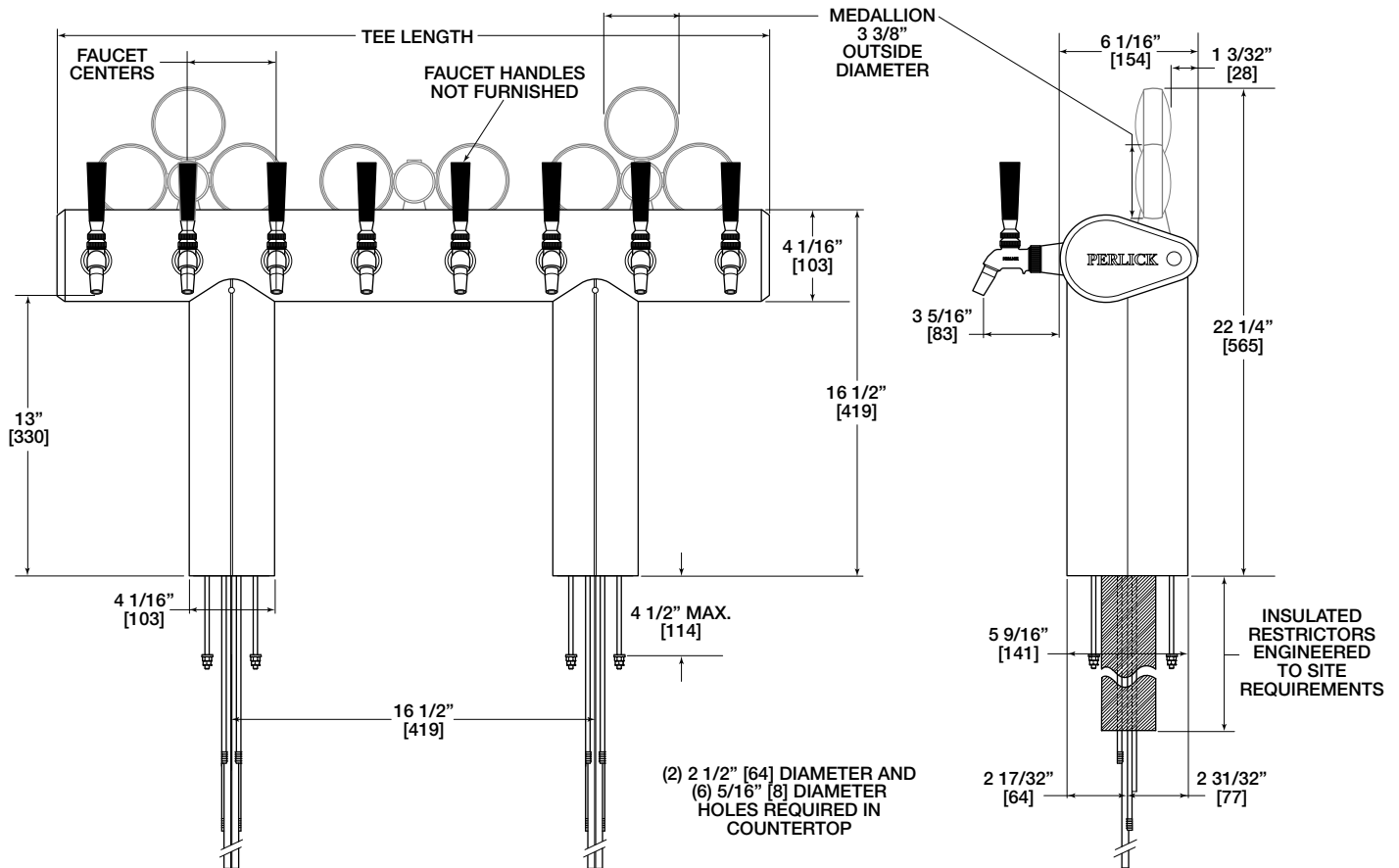
WINGED BRIDGE TOWERS

MODEL NOS.	Stainless Steel	66500-8B	66500-10B	66500-12B
	Polished Chrome	66500-8BPC	66500-10BPC	66500-12BPC
	Tarnish-Free Brass (PVD)	66500-8BTF	66500-10BTF	66500-12BTF
NUMBER OF FAUCETS		8	10	12
TEE LENGTH INCHES (mm)		32 $\frac{5}{8}$ " (829)	30 $\frac{3}{4}$ " (781)	36 $\frac{3}{4}$ " (934)
FAUCET CENTERS INCHES (mm)		4 $\frac{1}{8}$ " (105)	3" (76)	3" (76)
OPTIONS AND ACCESSORIES		• Matching drainers		• Faucet locks

WINGED BRIDGE TOWERS with ILLUMINATED MEDALLIONS with CHROME TRIM

MODEL NOS.	Stainless Steel	66500-8BIM	66500-10BIM	66500-12BIM
	Polished Chrome	66500-8BPCIM	66500-10BPCIM	66500-12BPCIM
	Tarnish-Free Brass (PVD)	66500-8BTFIM	66500-10BTFIM	66500-12BTFIM
NUMBER OF FAUCETS and ILLUMINATED MEDALLIONS		8	10	12
TEE LENGTH INCHES (mm)		32 $\frac{5}{8}$ " (829)	30 $\frac{3}{4}$ " (781)	36 $\frac{3}{4}$ " (934)
FAUCET CENTERS INCHES (mm)		4 $\frac{1}{8}$ " (105)	3" (76)	3" (76)
NUMBER OF ELECTRICAL TRANSFORMERS*		3	4	4
OPTIONS AND ACCESSORIES		• Matching drainers		• Faucet locks

* INPUT: 120V 60 HZ 0.01A — OUTPUT: 12V DC 5W MAX.



8300 West Good Hope Road • Milwaukee, WI 53223 • Phone 414-353-7060 • Fax 414-353-7069
 Toll Free 800-558-5592 • E-Mail: Perlick@Perlick.com • www.Perlick.com

Sizes and Specifications Sexy Towers

Job _____
 Area _____
 Item No. _____
 Model No. _____

SEXY TOWERS with ILLUMINATED MEDALLIONS

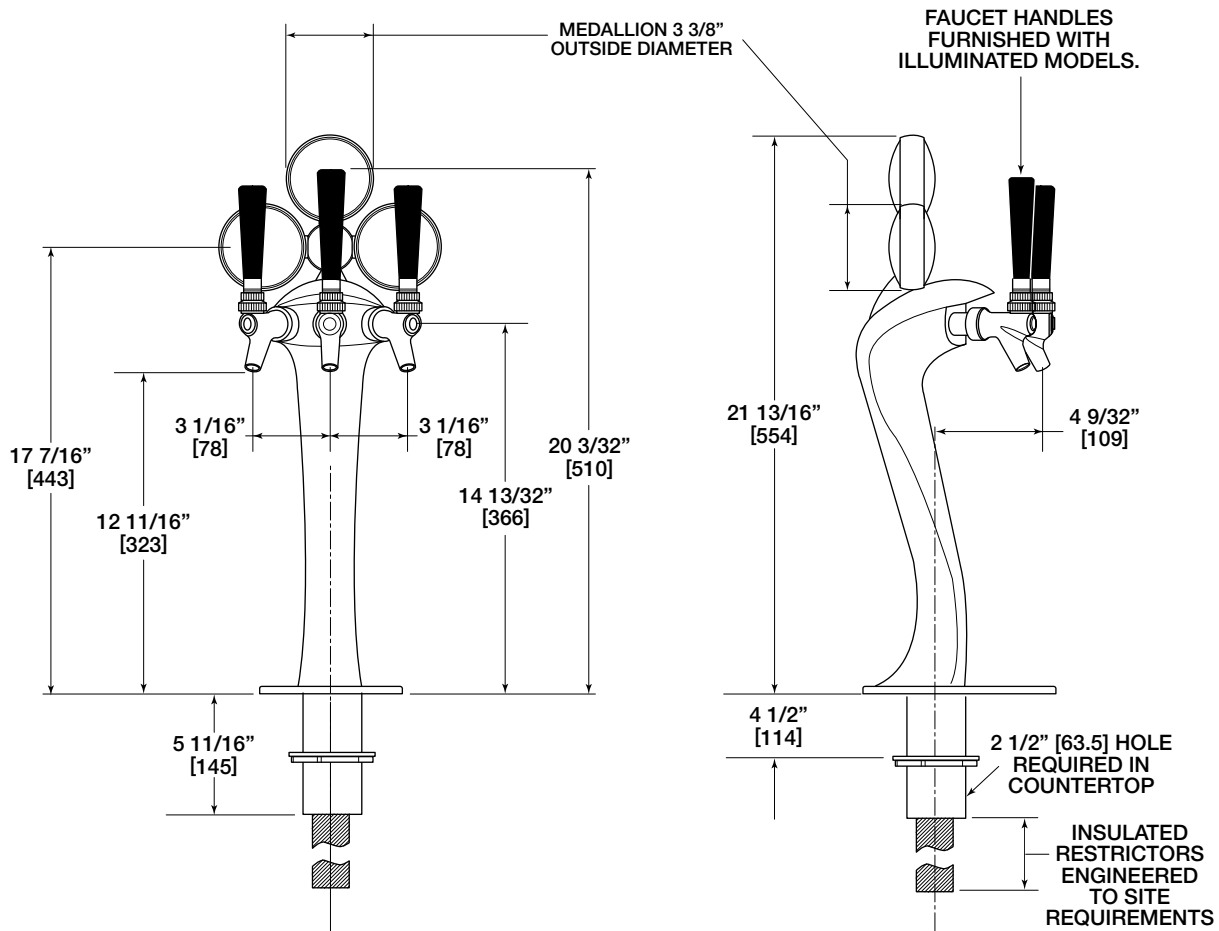
MODEL NOS.	Polished Chrome	4045-3BIM
	Gold Tone	4045GD-3BIM
NUMBER OF FAUCETS	3	
NUMBER OF ELECTRICAL TRANSFORMERS*	1	
FAUCET CENTERS Inches [mm]	3 1/16" (78)	
OPTIONS AND ACCESSORIES	<ul style="list-style-type: none"> • Matching drainers • Faucet locks 	

* Input: 120V-60 Hz 0.01A — Output: 12V DC 5W Maximum

ICED SEXY TOWER with ILLUMINATED MEDALLIONS with CHROME TRIM

MODEL NOS.	Polished Chrome	4046-3BIM
NUMBER OF FAUCETS	3	
NUMBER OF ELECTRICAL TRANSFORMERS*	1	
FAUCET CENTERS Inches [mm]	3 1/16" (78)	
OPTIONS AND ACCESSORIES	<ul style="list-style-type: none"> • Matching drainers • Faucet locks 	

* Input: 120V-60 Hz 0.01A — Output: 12V DC 5W Maximum



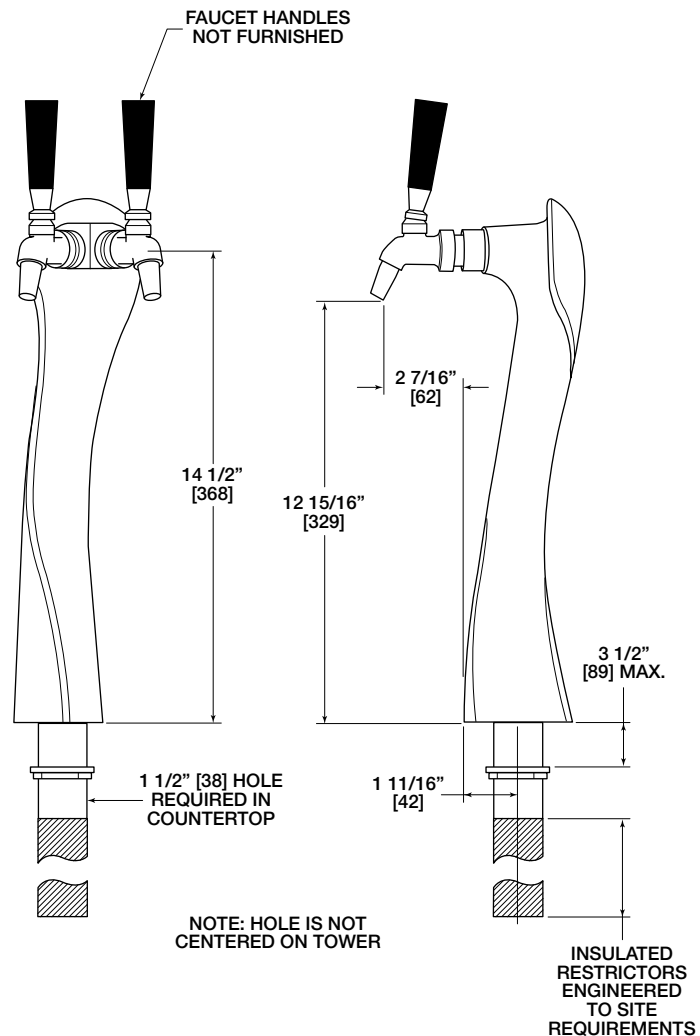
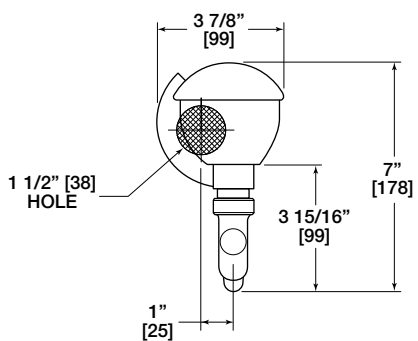
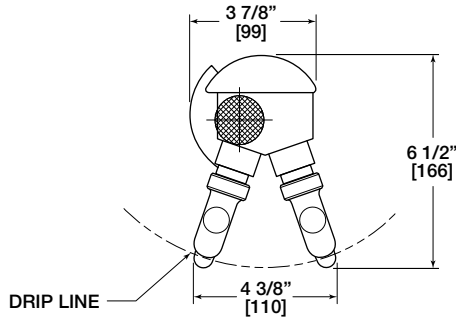
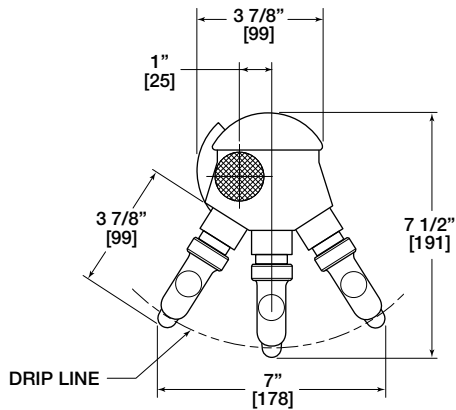
8300 West Good Hope Road • Milwaukee, WI 53223 • Phone 414-353-7060 • Fax 414-353-7069
 Toll Free 800-558-5592 • E-Mail: Perlick@Perlick.com • www.Perlick.com

Sizes and Specifications Lucky Towers

Job _____
 Area _____
 Item No. _____
 Model No. _____

MODEL NOS.	Polished Chrome	4041-1B	4041-2B	4041-3B
	Tarnish Free Gold (PVD)	4041GD-1B	4041GD-2B	4041GD-3B
	Polished Chrome (Iced)*	4042-1B	4042-2B	4042-3B
NUMBER OF FAUCETS		1	2	3
OPTIONS AND ACCESSORIES		• Matching drainers		• Faucet locks

* To build a layer of ice on exterior of tower, an additional Power Pak is required.



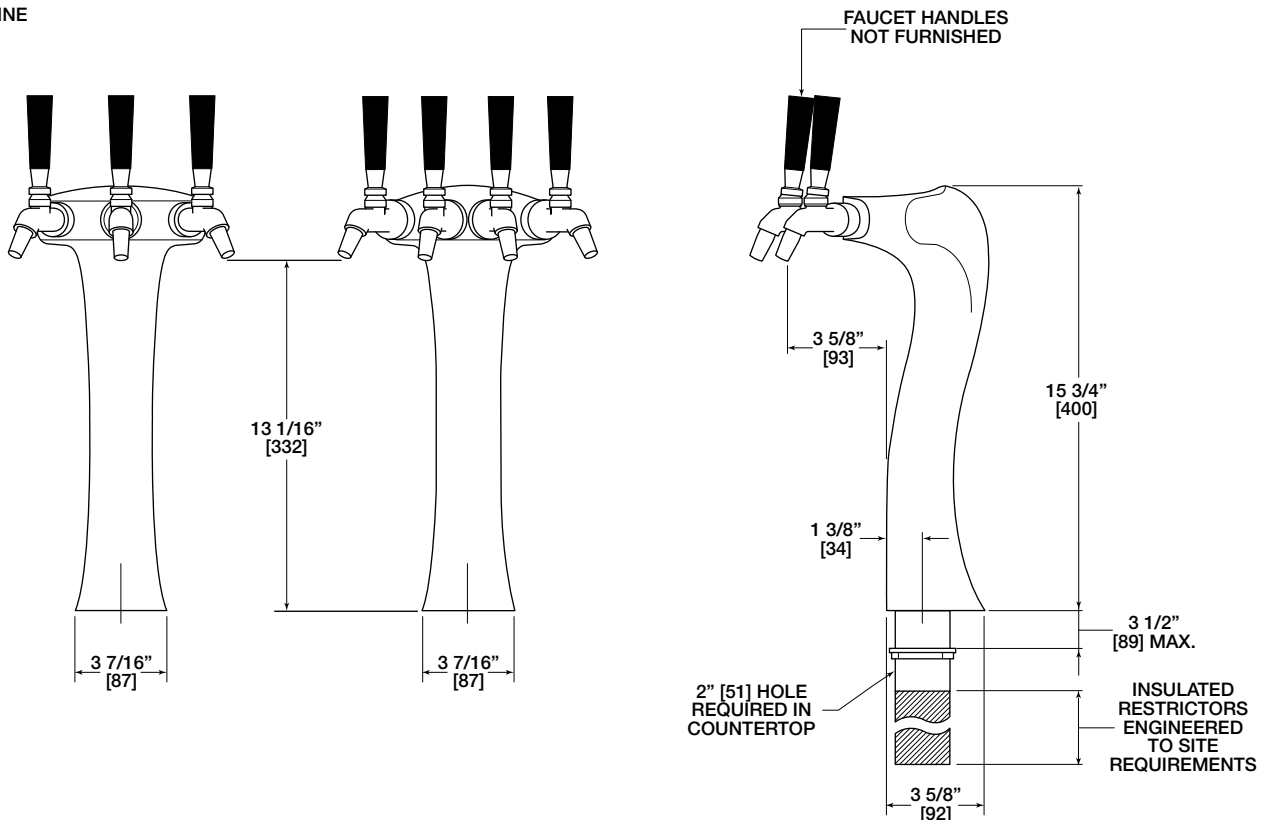
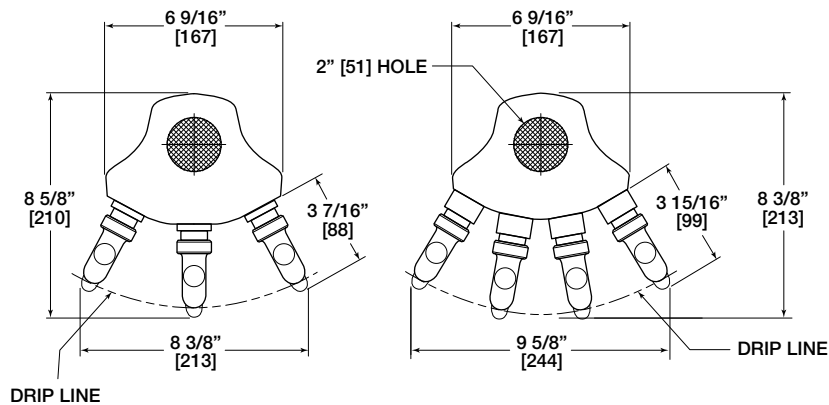
8300 West Good Hope Road • Milwaukee, WI 53223 • Phone 414-353-7060 • Fax 414-353-7069
 Toll Free 800-558-5592 • E-Mail: Perlick@Perlick.com • www.Perlick.com

Sizes and Specifications Panther Towers

Job _____
 Area _____
 Item No. _____
 Model No. _____

MODEL NOS.	Polished Chrome	4043-3B	4043-4B
	Tarnish Free Gold (PVD)	4043GD-3B	4043GD-4B
	Polished Chrome (Iced)*	4044-3B	4044-4B
NUMBER OF FAUCETS		3	4
OPTIONS AND ACCESSORIES		• Matching drainers	• Faucet locks

* To build a layer of ice on exterior of tower, an additional Power Pak is required.



8300 West Good Hope Road • Milwaukee, WI 53223 • Phone 414-353-7060 • Fax 414-353-7069
 Toll Free 800-558-5592 • E-Mail: Perlick@Perlick.com • www.Perlick.com

Sizes and Specifications Seven Towers

Job _____
 Area _____
 Item No. _____
 Model No. _____

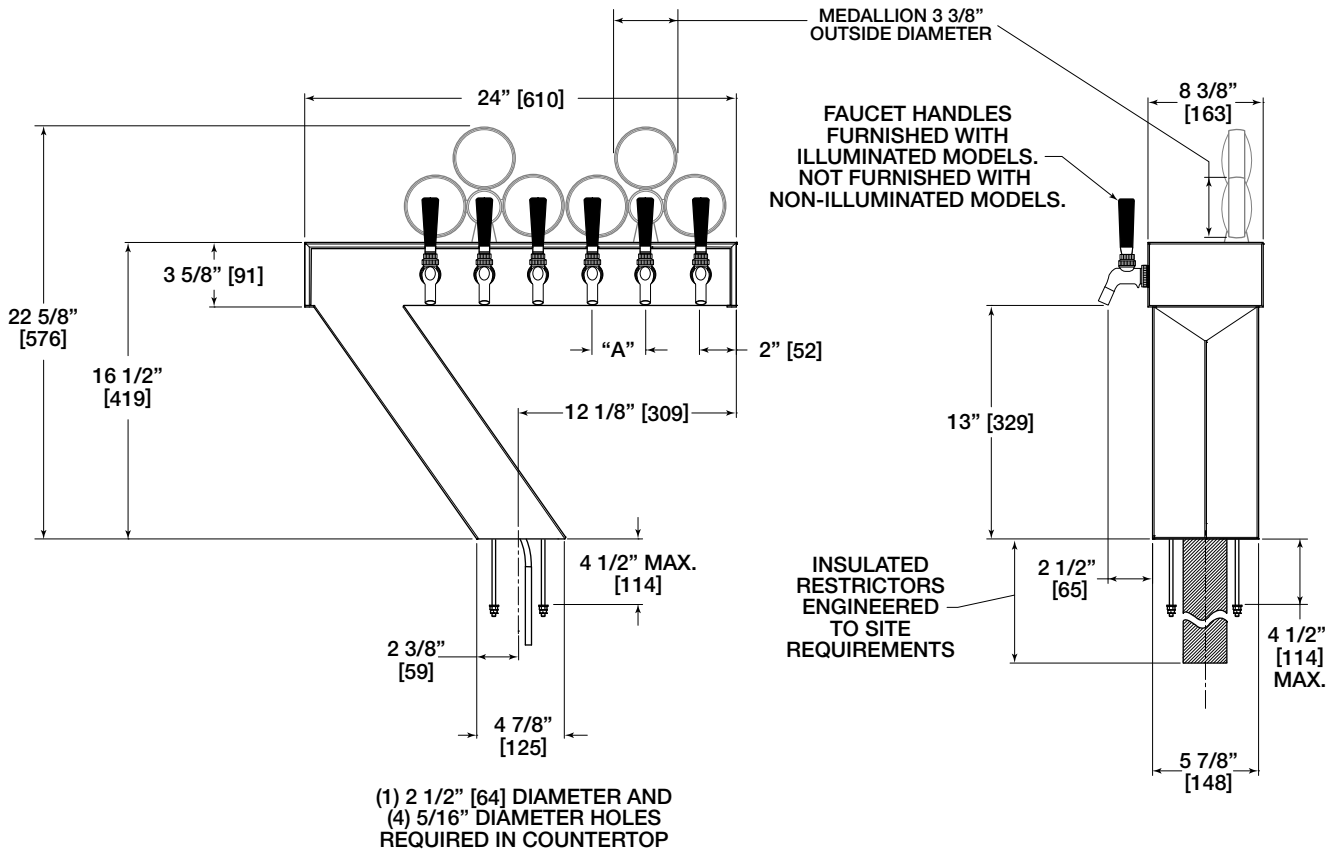
SEVEN TOWERS

MODEL NOS.	Stainless Steel	4007-4B	4007-5B	4007-6B
	Polished Chrome	4007-4BPC	4007-5BPC	4007-6BPC
	Tarnish Free Brass (PVD)	4007-4BTF	4007-5BTF	4007-6BTF
NUMBER OF FAUCETS		4	5	6
"A" FAUCET CENTERS Inches (mm)		5" (127)	3 ³ / ₄ " (95)	3" (76)
OPTIONS AND ACCESSORIES		• Matching drainers	• Faucet locks	

SEVEN TOWERS with ILLUMINATED MEDALLIONS with CHROME TRIM

MODEL NOS.	Stainless Steel	4007-4BIM	4007-5BIM	4007-6BIM
	Polished Chrome	4007-4BPCIM	4007-5BPCIM	4007-6BPCIM
	Tarnish Free Brass (PVD)	4007-4BTFIM	4007-5BTFIM	4007-6BTFIM
NUMBER OF FAUCETS		4	5	6
NUMBER OF ELECTRICAL TRANSFORMERS*		2	3	2
"A" FAUCET CENTERS Inches (mm)		5" (127)	3 ³ / ₄ " (95)	3" (76)
OPTIONS AND ACCESSORIES		• Matching drainers	• Faucet locks	

* Input: 120V-60 Hz 0.01A — Output: 12V DC 5W Maximum



8300 West Good Hope Road • Milwaukee, WI 53223 • Phone 414-353-7060 • Fax 414-353-7069
 Toll Free 800-558-5592 • E-Mail: Perlick@Perlick.com • www.Perlick.com

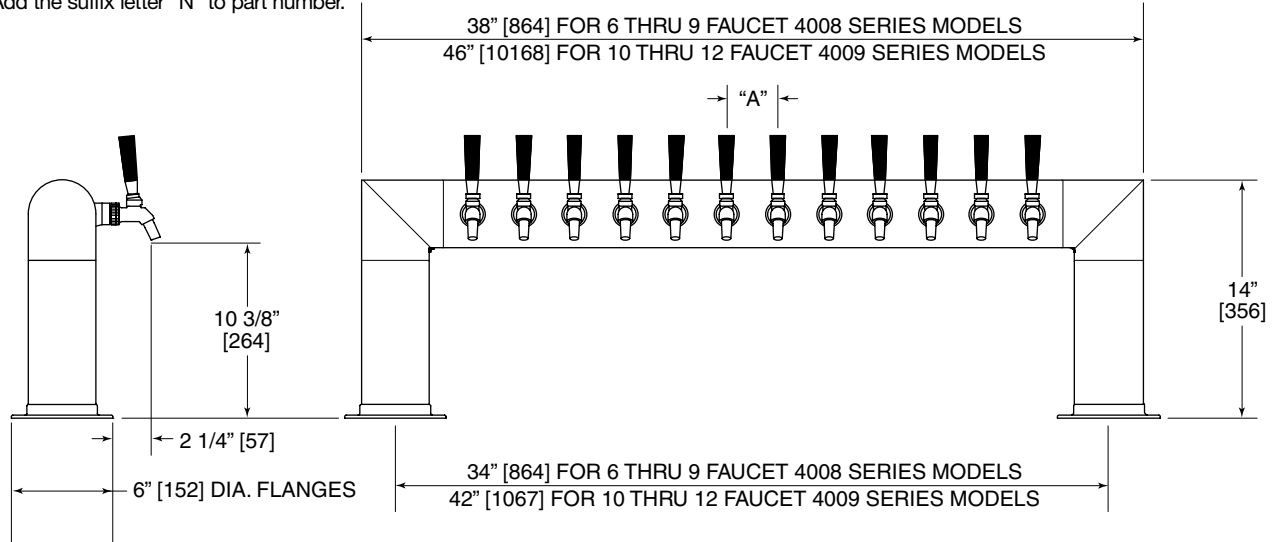
Sizes and Specifications Pipe Towers

Job _____
 Area _____
 Item No. _____
 Model No. _____

PIPE TOWER MODEL NOS.	Polished Chrome Tarnish-Free Brass	4008-6B 4008-6BTF	4008-8B 4008-8BTF	4009-10B 4009-10BTF	4009-12B 4009-12BTF
NUMBER OF FAUCETS		6	8	10	12
"A" DIMENSIONS (mm)		4" (102)	3 1/4" (83)	3 1/4" (83)	3" (76)
LENGTH		38" (965)	38" (965)	42" (1067)	42" (1067)
HEIGHT		14" (356)	14" (356)	14" (356)	14" (356)
OPTIONS AND ACCESSORIES		<ul style="list-style-type: none"> • Matching drainers • Faucet locks 			



NSF Approved Pipe Towers.
 Add the suffix letter "N" to part number.



8300 West Good Hope Road • Milwaukee, WI 53223 • Phone 414-353-7060 • Fax 414-353-7069
 Toll Free 800-558-5592 • E-Mail: Perlick@Perlick.com • www.Perlick.com

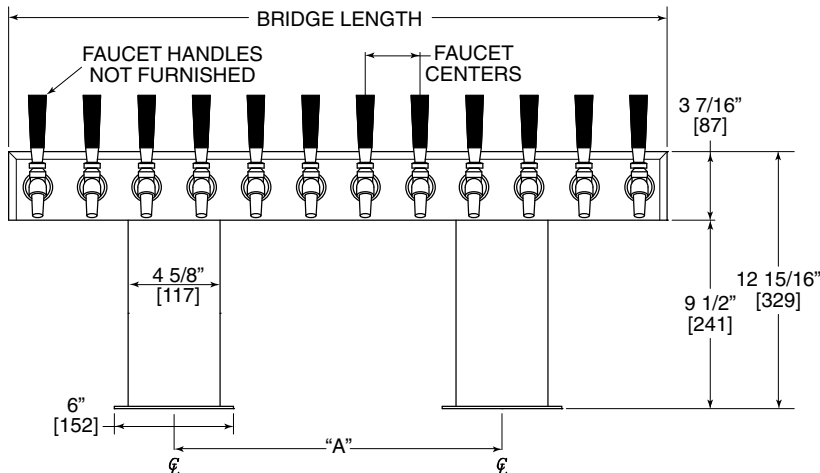
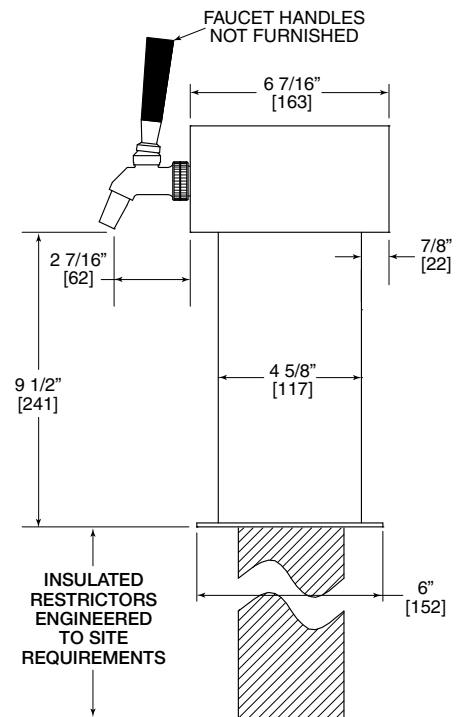
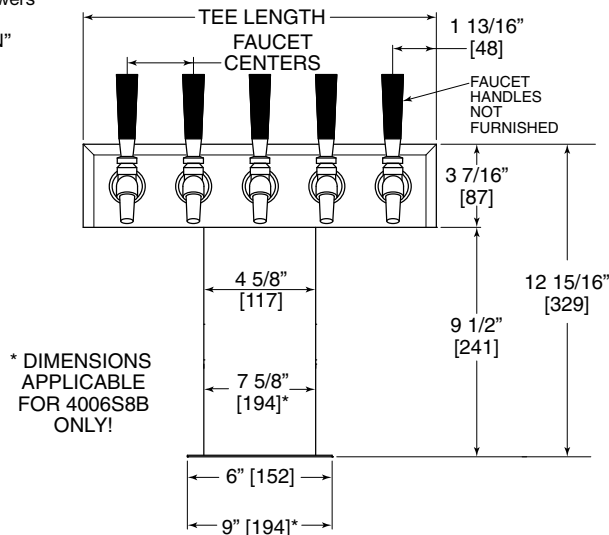
Sizes and Specifications Tee Towers and Bridge Tee Towers

Job _____
 Area _____
 Item No. _____
 Model No. _____

TEE TOWER MODEL NOS.	Stainless Steel	4006-2B	4006-3B	4006-4B	4006-5B	4006-6B	4006-7B	4006S8B
	Polished Chrome	4006-2BPC	4006-3BPC	4006-4BPC	4006-5BPC	4006-6BPC	4006-7BPC	4006S8BPC
	Tarnish-Free Brass	4006-2BTF	4006-3BTF	4006-4BTF	4006-5BTF	4006-6BTF	4006-7BTF	4006S8BTF
NUMBER OF FAUCETS		2	3	4	5	6	7	8
TEE LENGTH (mm)		9 1/8" (232)	9 1/8" (232)	11 7/8" (302)	14 5/8" (372)	17 3/8" (441)	20 1/8" (511)	22 7/8" (581)
FAUCET CENTERS (mm)		5 1/2" (140)	2 3/4" (70)	2 3/4" (70)	2 3/4" (70)	2 3/4" (70)	2 3/4" (70)	2 3/4" (70)
OPTIONS AND ACCESSORIES		• Matching drainers		• Faucet locks		• Extra high models		

BRIDGE TOWER MODEL NOS.	Stainless Steel	4006-8B	4006-10B	4006-12B	4006-16B	4006-20B
	Polished Chrome	4006-8BPC	4006-10BPC	4006-12BPC	4006-16BPC	4006-20BPC
	Tarnish-Free Brass	4006-8BTF	4006-10BTF	4006-12BTF	4006-16BTF	4006-20BTF
NUMBER OF FAUCETS		8	10	12	16	20
TEE LENGTH (mm)		33 1/8" (841)	33 1/8" (841)	33 1/8" (841)	44 1/8" (1121)	55 1/8" (1400)
FAUCET CENTERS (mm)		4 1/8" (105)	3" (76)	2 3/4" (70)	2 3/4" (70)	2 3/4" (70)
DIMENSION "A"		16 1/2" (419)			22" (559)	27 1/2" (699)
OPTIONS AND ACCESSORIES		• Matching drainers		• Faucet locks		• Extra high models

NSF NSF Approved Tee Towers and Bridge Towers. Add the suffix letter "N" to part number.

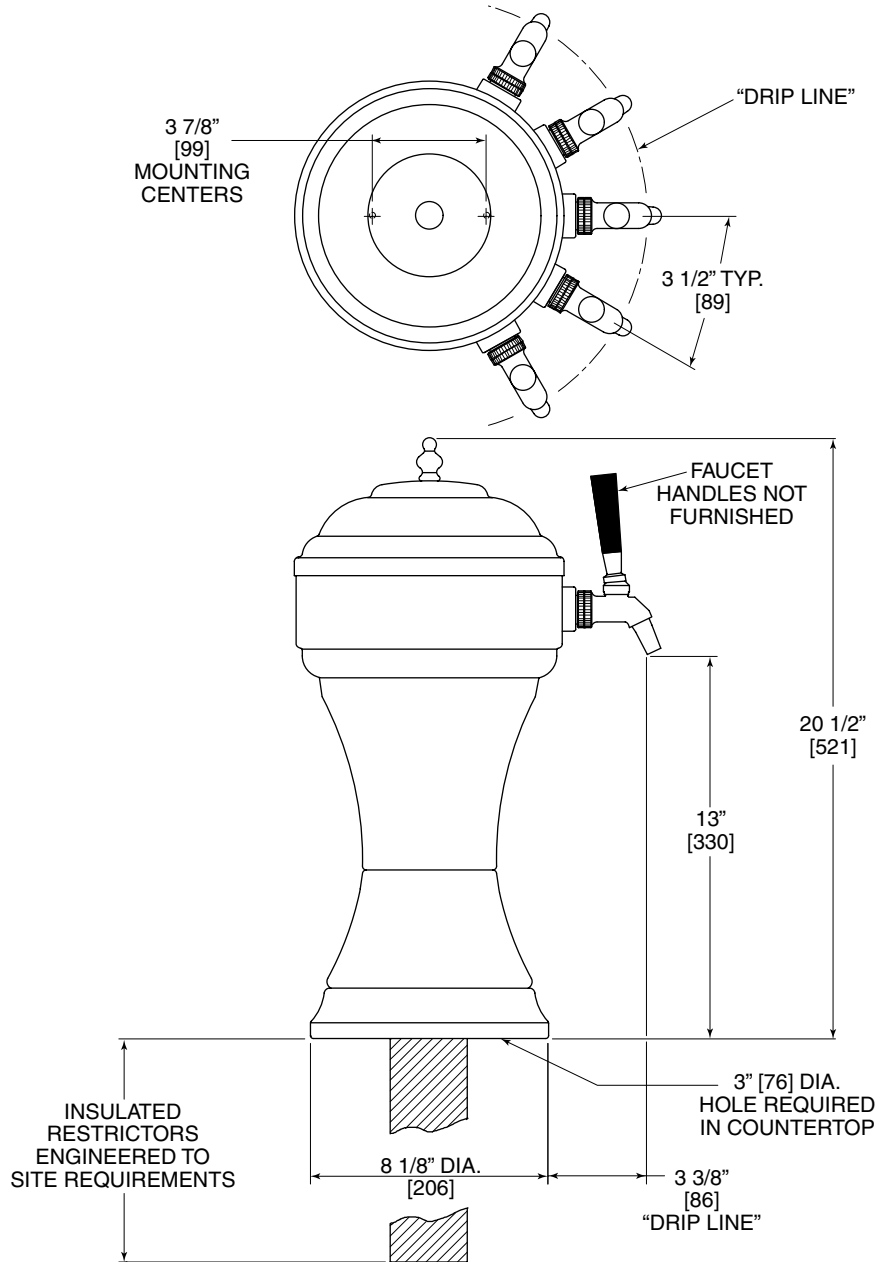


8300 West Good Hope Road • Milwaukee, WI 53223 • Phone 414-353-7060 • Fax 414-353-7069
 Toll Free 800-558-5592 • E-Mail: Perlick@Perlick.com • www.Perlick.com

Sizes and Specifications Roma Towers

Job _____
 Area _____
 Item No. _____
 Model No. _____

ROMA MODEL NOS. GOLD FINISH	Black	4056BK3B	4056BK4B	4056BK5B
	White	4056WH3B	4056WH4B	4056WH5B
	Blue	4056BL3B	4056BL4B	4056BL5B
	Green	4056GR3B	4056GR4B	4056GR5B
NUMBER OF FAUCETS		3	4	5
OPTIONS AND ACCESSORIES		<ul style="list-style-type: none"> • To order with polished chrome finish, use suffix PC (i.e., 4056WH4BPC). • Matching drainers • Faucet locks 		

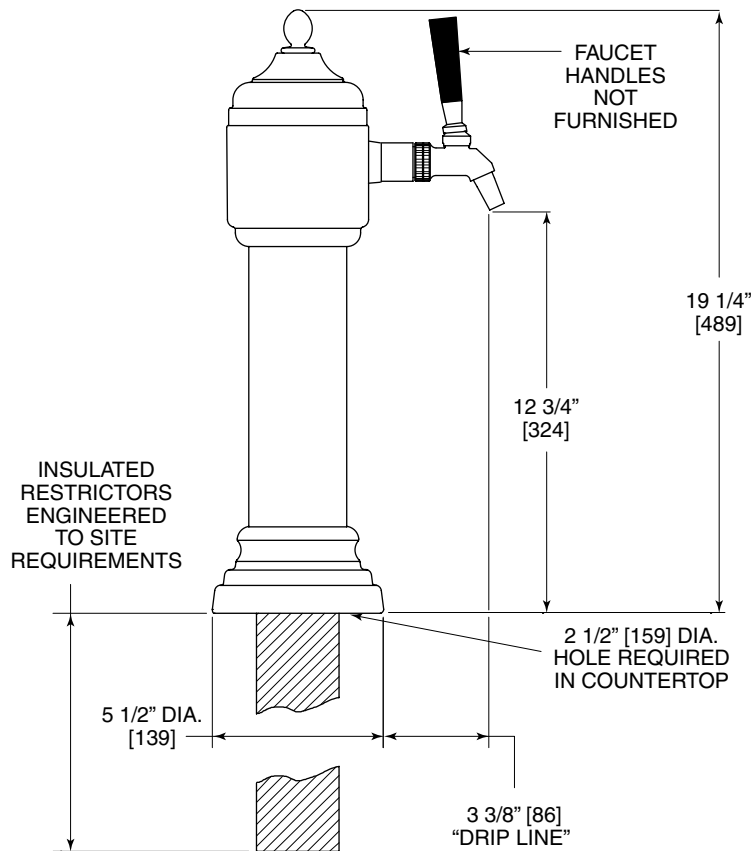
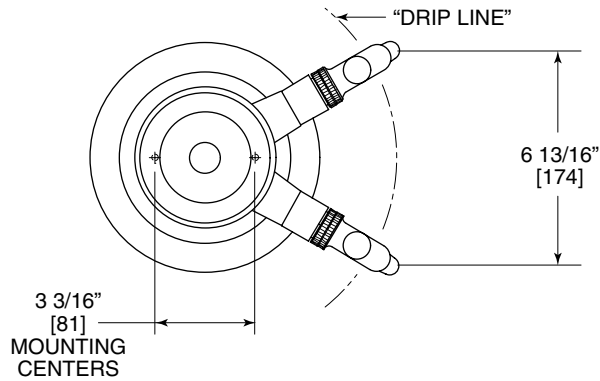


8300 West Good Hope Road • Milwaukee, WI 53223 • Phone 414-353-7060 • Fax 414-353-7069
 Toll Free 800-558-5592 • E-Mail: Perlick@Perlick.com • www.Perlick.com

Sizes and Specifications Napoli Towers

Job _____
 Area _____
 Item No. _____
 Model No. _____

NAPOLI MODEL NOS.	4053PC2B	4053GD2B
NUMBER OF FAUCETS	2	2
COLOR/FINISH	Polished Chrome	Gold
OPTIONS AND ACCESSORIES	• Matching drainers	• Faucet locks

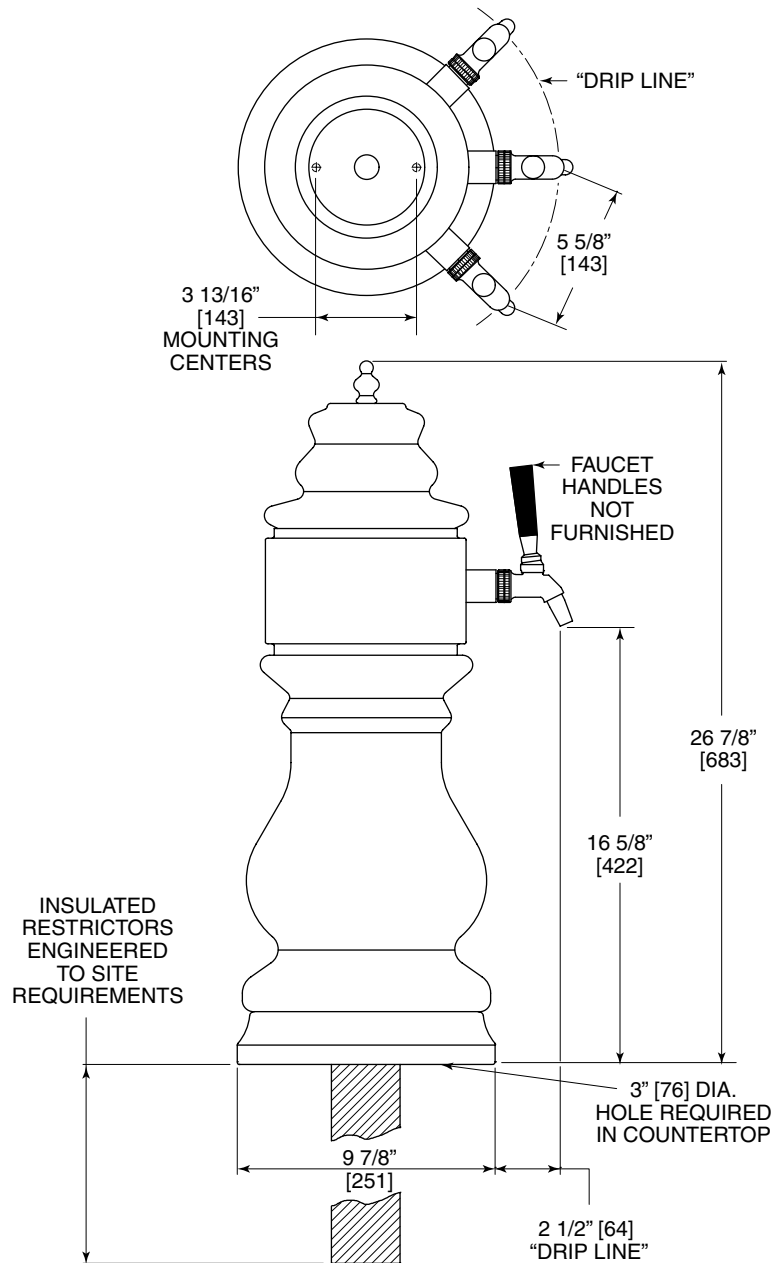


8300 West Good Hope Road • Milwaukee, WI 53223 • Phone 414-353-7060 • Fax 414-353-7069
 Toll Free 800-558-5592 • E-Mail: Perlick@Perlick.com • www.Perlick.com

Sizes and Specifications Torino Collar Towers

Job _____
 Area _____
 Item No. _____
 Model No. _____

TORINO COLLAR STYLE MODEL NOS.	White Blue Green	4054WH1B 4054BL1B 4054GR1B	4054WH2B 4054BL2B 4054GR2B	4054WH3B 4054BL3B 4054GR3B
NUMBER OF FAUCETS		1	2	3
OPTIONS AND ACCESSORIES		• Matching drainers • Faucet locks		

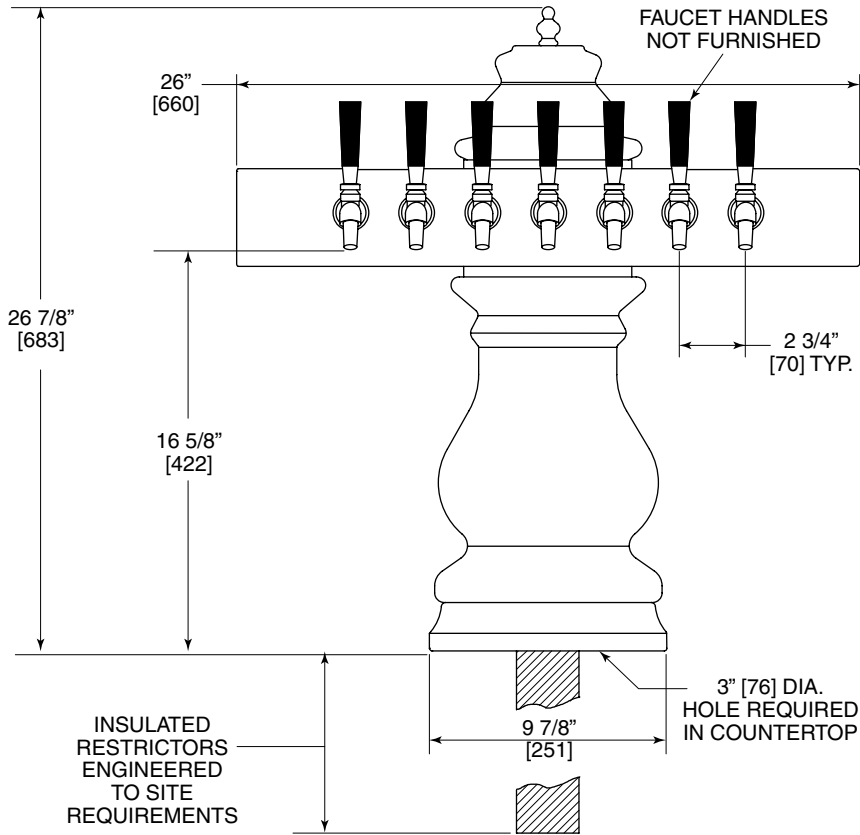
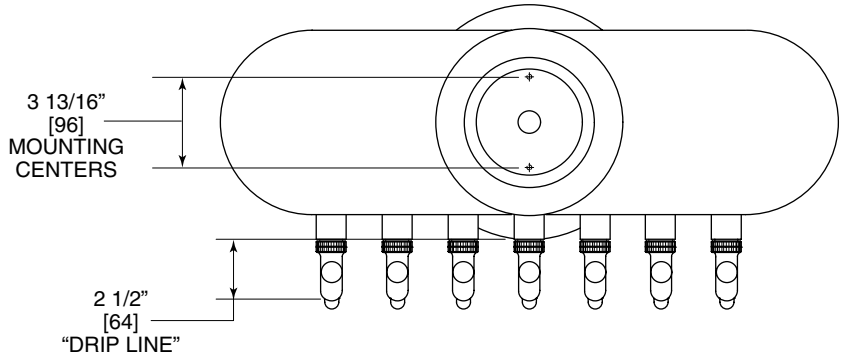


8300 West Good Hope Road • Milwaukee, WI 53223 • Phone 414-353-7060 • Fax 414-353-7069
 Toll Free 800-558-5592 • E-Mail: Perlick@Perlick.com • www.Perlick.com

Sizes and Specifications Torino Beam Towers

Job _____
 Area _____
 Item No. _____
 Model No. _____

TORINO BEAM STYLE MODEL NOS.	White	4055WH3B	4055WH4B	4055WH5B	4055WH6B	4055WH7B
	Blue	4055BL3B	4055BL4B	4055BL5B	4055BL6B	4055BL7B
	Green	4055GR3B	4055GR4B	4055GR5B	4055GR6B	4055GR7B
NUMBER OF FAUCETS		3	4	5	6	7
OPTIONS AND ACCESSORIES		• Matching drainers		• Faucet locks		



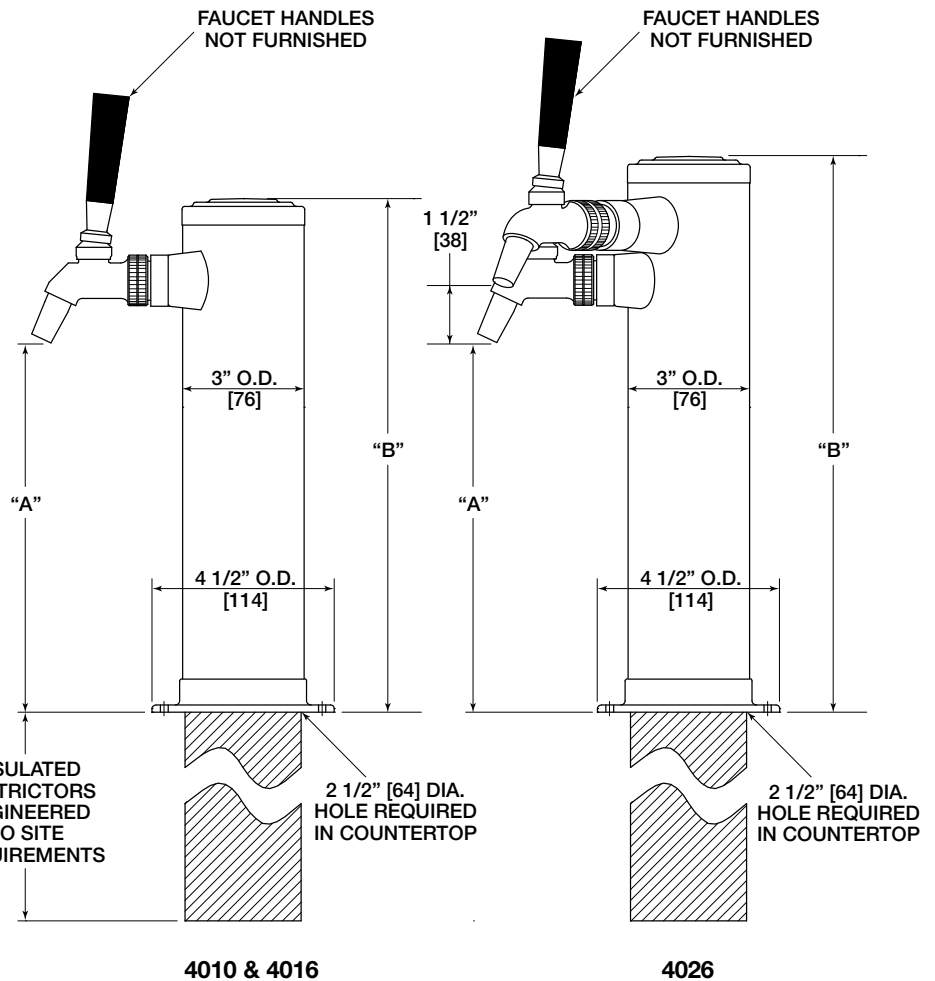
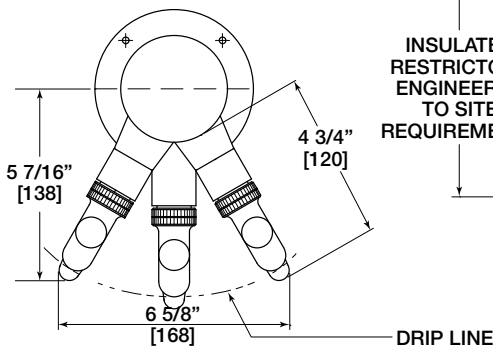
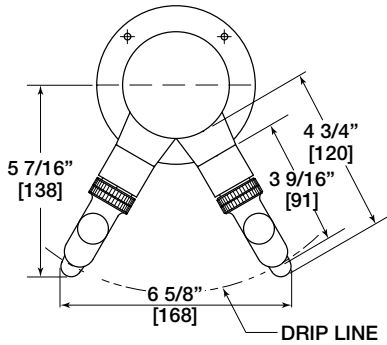
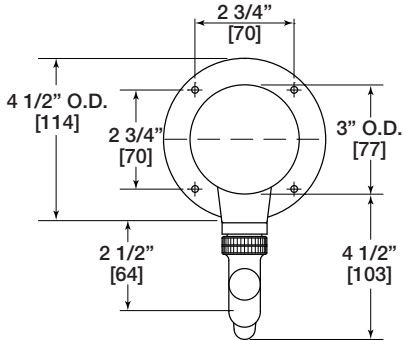
8300 West Good Hope Road • Milwaukee, WI 53223 • Phone 414-353-7060 • Fax 414-353-7069
 Toll Free 800-558-5592 • E-Mail: Perlick@Perlick.com • www.Perlick.com

Sizes and Specifications

3"OD Draft Arms

Job _____
 Area _____
 Item No. _____
 Model No. _____

MODEL NOS.	Polished Chrome	4010	4016	4026
	Tarnish-Free Brass (PVD)	4010TF	4016TF	4026TF
NUMBER OF FAUCETS		1	2	3
"A" DIMENSIONS (mm)		97 ⁷ / ₁₆ " (240)	97 ⁷ / ₁₆ " (240)	97 ⁷ / ₁₆ " (240)
"B" DIMENSIONS (mm)		121 ¹ / ₁₆ " (322)	121 ¹ / ₁₆ " (322)	131 ¹ / ₁₆ " (348)
OPTIONS AND ACCESSORIES		• Matching drainers	• Faucet locks	• Extra high models



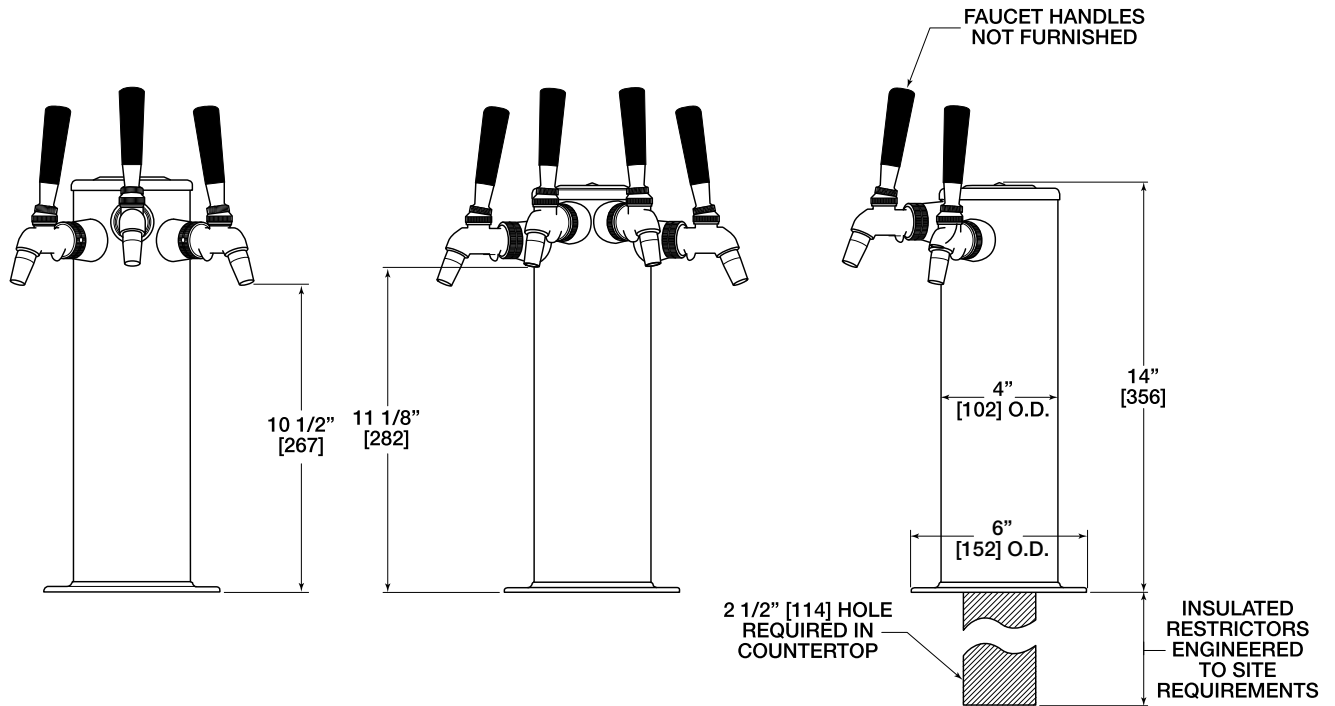
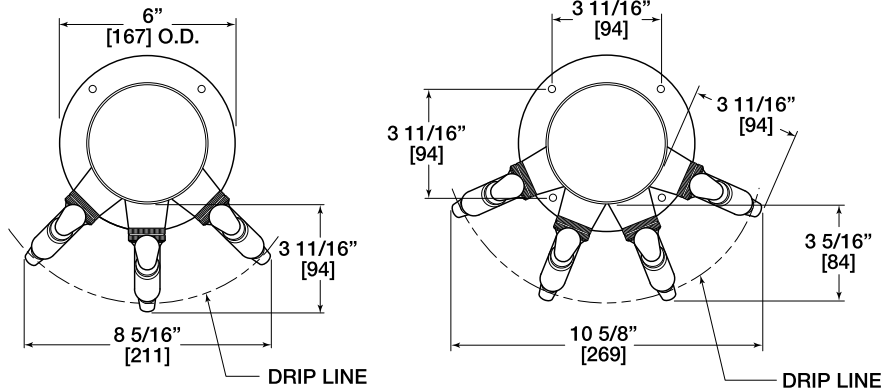
8300 West Good Hope Road • Milwaukee, WI 53223 • Phone 414-353-7060 • Fax 414-353-7069
 Toll Free 800-558-5592 • E-Mail: Perlick@Perlick.com • www.Perlick.com

Sizes and Specifications

4"OD Draft Arms

Job _____
 Area _____
 Item No. _____
 Model No. _____

MODEL NOS.	Polished Chrome	4028	4029
	Tarnish Free Brass (PVD)	4028TF	4029TF
NUMBER OF FAUCETS		3	4
OPTIONS AND ACCESSORIES		• Matching drainers	• Faucet locks

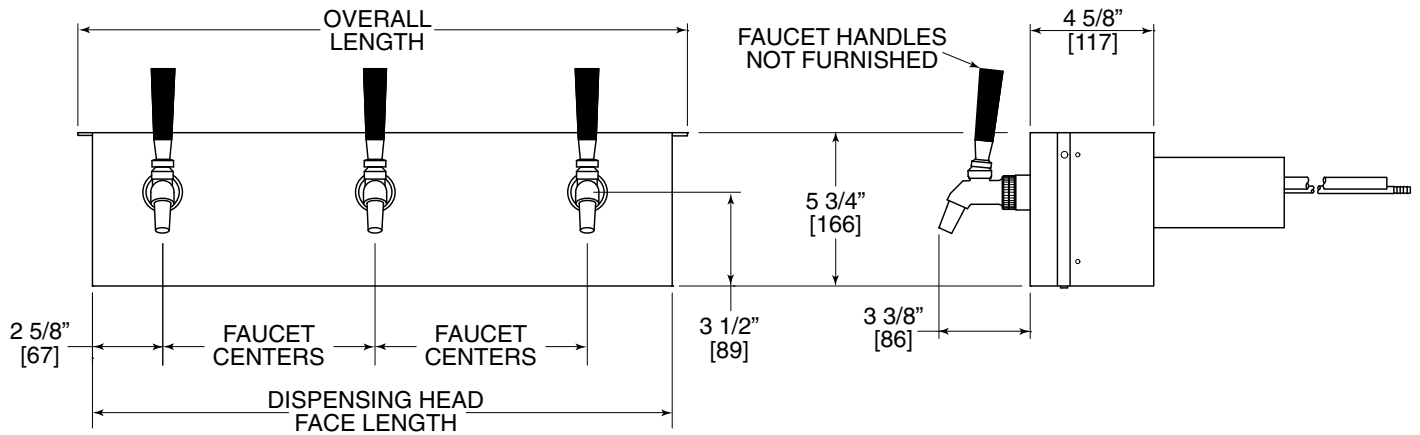


8300 West Good Hope Road • Milwaukee, WI 53223 • Phone 414-353-7060 • Fax 414-353-7069
 Toll Free 800-558-5592 • E-Mail: Perlick@Perlick.com • www.Perlick.com

Sizes and Specifications Spacesavers Dispensing Heads

Job _____
 Area _____
 Item No. _____
 Model No. _____

SPACESAVER MODEL NOS.	Stainless Steel	4040A2B	4040A3B	4040A4B	4060A2B	4060A3B	4060A4B	4060A5B	4060A6B	4060A7B
NUMBER OF FAUCETS		2	3	4	2	3	4	5	6	7
LENGTH (mm)		14" (356)	14" (356)	14" (356)	22 1/4" (565)	22 1/4" (565)	22 1/4" (565)	22 1/4" (565)	22 1/4" (565)	22 1/4" (565)
FACE LENGTH (mm)		13" (330)	13" (330)	13" (330)	21 1/8" (537)	21 1/8" (537)	21 1/8" (537)	21 1/8" (537)	21 1/8" (537)	21 1/8" (537)
FAUCET CENTERS (mm)		8 1/4" (210)	4 1/8" (105)	2 3/4" (70)	16 1/2" (419)	8 1/4" (210)	5 1/2" (140)	4 1/8" (105)	2 3/4" (70)	3 3/4" (70)
OPTIONS and ACCESSORIES		<ul style="list-style-type: none"> • Underbar drainers • Faucet Handles 		<ul style="list-style-type: none"> • Console drainer assembly • Optional leads out bottom 		<ul style="list-style-type: none"> • Faucet locks 				

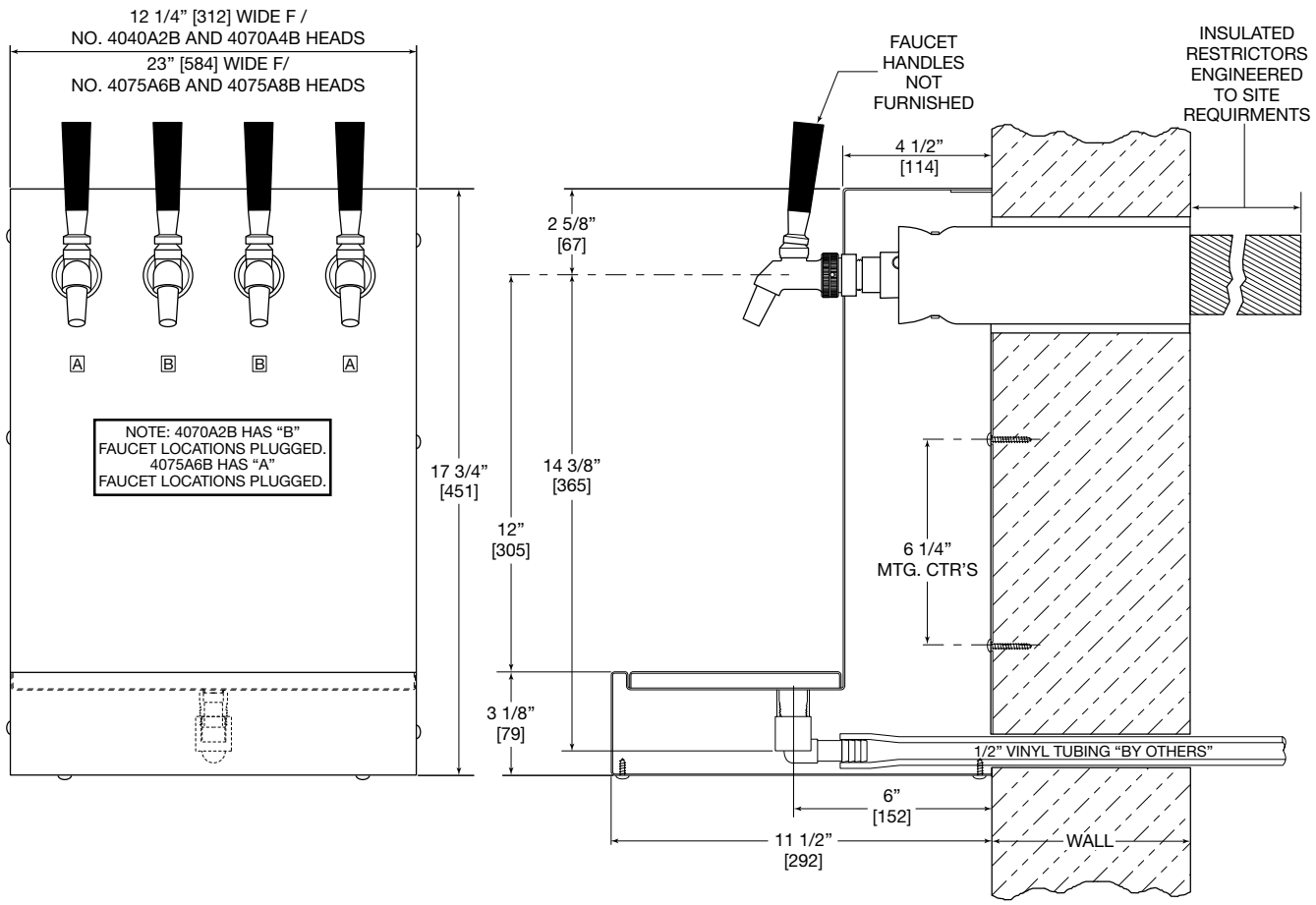


8300 West Good Hope Road • Milwaukee, WI 53223 • Phone 414-353-7060 • Fax 414-353-7069
 Toll Free 800-558-5592 • E-Mail: Perlick@Perlick.com • www.Perlick.com

Sizes and Specifications Wall Mount Dispensing Heads

Job _____
 Area _____
 Item No. _____
 Model No. _____

MODEL NOS.	Stainless Steel	4070A2B	4070A4B	4075A6B	4075A8B
NUMBER OF FAUCETS		2	4	6	8
LENGTH INCHES (mm)		12 1/4" (312)	12 1/4" (312)	23" (584)	23" (584)
HEIGHT INCHES (mm)		17 3/4" (451)	17 3/4" (451)	17 3/4" (451)	17 3/4" (451)



8300 West Good Hope Road • Milwaukee, WI 53223 • Phone 414-353-7060 • Fax 414-353-7069
 Toll Free 800-558-5592 • E-Mail: Perlick@Perlick.com • www.Perlick.com

DRIP PANS

Perlick Features

- Variety of sizes, and configurations to fit any installation.
- Available in stainless steel or tarnish-free brass.
- Removable, glass rack.

MODEL NOS.

- Top-Mounted
- Angled
- Recessed
- Cutout
- Spacesaver



No. 5020



No. 18635



No. C21379A



8300 West Good Hope Road • Milwaukee, WI 53223 • Phone 414-353-7060 • Fax 414-353-7069
Toll Free 800-558-5592 • E-Mail: Perlick@Perlick.com • www.Perlick.com

Perlick is committed to continuous improvement. Therefore, we reserve the right to change specifications without prior notice.

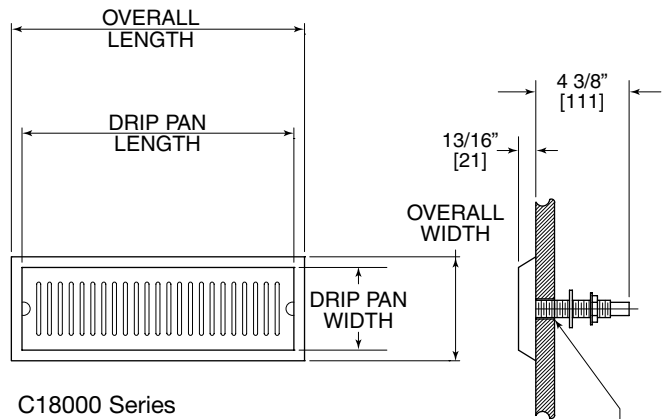
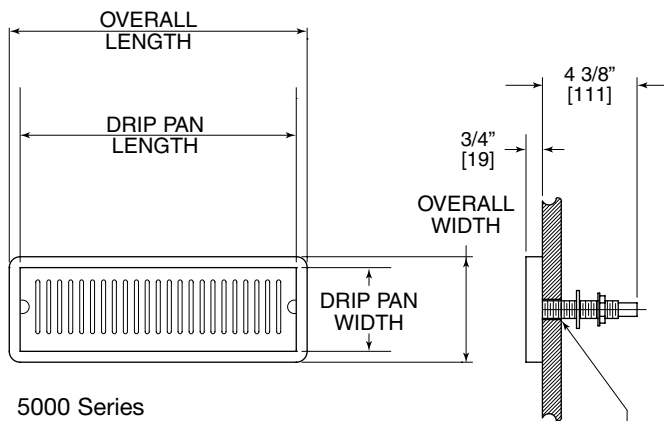
Sizes and Specifications Drip Pans - Top Mounted

Job _____
 Area _____
 Item No. _____
 Model No. _____

TOP MOUNTED

5000 SERIES MODEL NOS.	Stainless Steel	5015	5020	5025	5028	5030
	Tarnish-Free Brass	5015TF	5020TF	5025TF	5028TF	5030TF
OVERALL LENGTH (mm)		5 $\frac{3}{8}$ " (137)	13 $\frac{3}{4}$ " (349)	19" (483)	24" (610)	37" (940)
DRIP PAN LENGTH (mm)		4 $\frac{3}{8}$ " (111)	12 $\frac{3}{4}$ " (324)	18" (457)	23" (584)	36 $\frac{1}{8}$ " (918)
OVERALL WIDTH (mm)		5 $\frac{3}{8}$ " (137)	4 $\frac{7}{8}$ " (124)	4 $\frac{7}{8}$ " (124)	4 $\frac{7}{8}$ " (124)	4 $\frac{7}{8}$ " (124)
DRIP PAN WIDTH (mm)		4 $\frac{3}{8}$ " (111)	3 $\frac{7}{8}$ " (98)	3 $\frac{7}{8}$ " (98)	3 $\frac{7}{8}$ " (98)	3 $\frac{7}{8}$ " (98)
DRIP PAN and GLASS RACK	Stainless steel or tarnish-free brass.					
PLUMBING	Equipped with $\frac{9}{16}$ " I.D. waste drain and universal drain tubes. Use with $\frac{1}{2}$ " N.P.T. pipe fittings or 1390D $\frac{1}{2}$ " I.D. flexible drain tube.					

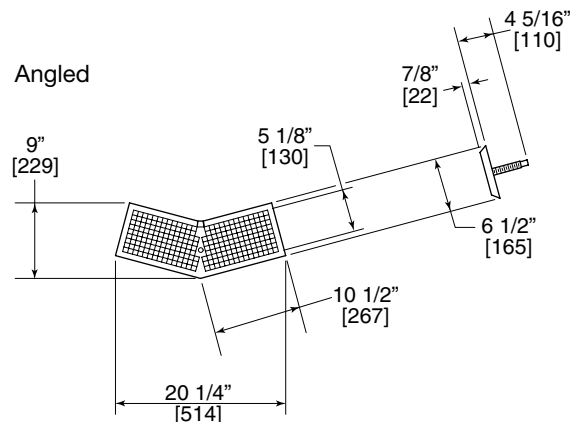
18000 SERIES MODEL NOS.	Stainless Steel	C18635A	C18640A	C18645A	C18650A	C18655	C18660
	Tarnish-Free Brass	C18635ATF	C18640ATF	C18645ATF	C18650ATF	C18655TF	—
OVERALL LENGTH (mm)		8 $\frac{3}{4}$ " (222)	14 $\frac{3}{16}$ " (360)	20 $\frac{3}{4}$ " (527)	26 $\frac{3}{4}$ " (679)	33" (838)	46 $\frac{9}{16}$ " (1182)
DRIP PAN LENGTH (mm)		7 $\frac{7}{16}$ " (179)	12 $\frac{7}{8}$ " (327)	19 $\frac{7}{16}$ " (494)	25 $\frac{7}{16}$ " (646)	31 $\frac{1}{2}$ " (800)	45 $\frac{5}{16}$ " (1151)
OVERALL WIDTH (mm)		7 $\frac{3}{4}$ " (197)	7 $\frac{3}{4}$ " (197)	7 $\frac{3}{4}$ " (197)	7 $\frac{3}{4}$ " (197)	7 $\frac{3}{4}$ " (197)	7 $\frac{3}{4}$ " (197)
DRIP PAN WIDTH (mm)		6 $\frac{1}{2}$ " (165)	6 $\frac{1}{2}$ " (165)	6 $\frac{1}{2}$ " (165)	6 $\frac{1}{2}$ " (165)	6 $\frac{1}{2}$ " (165)	6 $\frac{1}{2}$ " (165)
DRIP PAN and GLASS RACK	Stainless steel or tarnish-free brass.						
PLUMBING	Equipped with $\frac{9}{16}$ " I.D. waste drain and universal drain tubes. Use with $\frac{1}{2}$ " N.P.T. pipe fittings or 1390D $\frac{1}{2}$ " I.D. flexible drain tube.						



TO INSTALL DRIP PAN,
 DRILL 15/16" [24] DIA. HOLE
 THRU COUNTER TOP.

TO INSTALL DRIP PAN,
 DRILL 15/16" [24] DIA. HOLE
 THRU COUNTER TOP.

ANGLED SERIES MODEL NOS.	Stainless Steel	57120
	Tarnish-Free Brass	57120TF
OVERALL LENGTH (mm)		20 $\frac{1}{4}$ " (511)
OVERALL WIDTH (mm)		9" (229)
DRIP PAN and GLASS RACK	Stainless steel or tarnish-free brass. Stainless steel glass rack.	
PLUMBING	Equipped with $\frac{9}{16}$ " I.D. waste drain and universal drain tubes. Use with $\frac{1}{2}$ " N.P.T. pipe fittings or 1390D $\frac{1}{2}$ " I.D. flexible drain tube.	



Sizes and Specifications — Drip Pans

Recessed, Cutout and Spacesaver

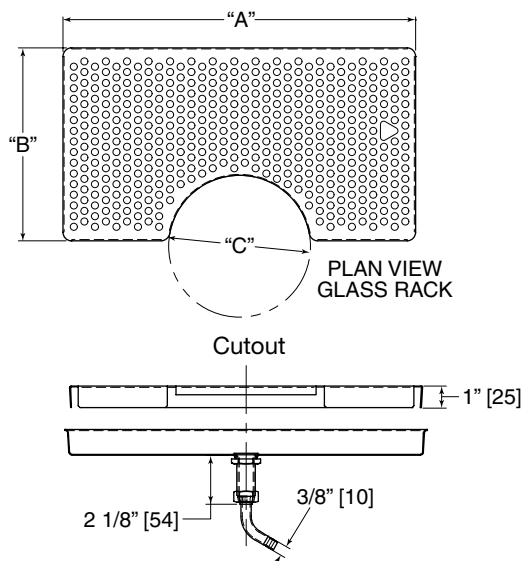
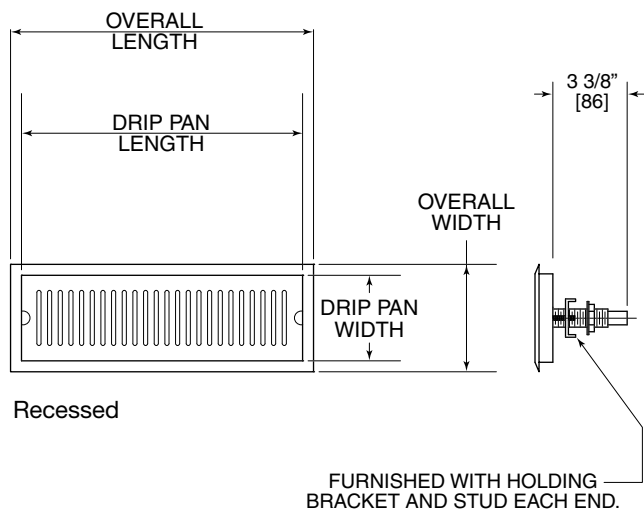
Job _____
 Area _____
 Item No. _____
 Model No. _____

RECESSED

MODEL NOS.	Stainless Steel	C11988A	C21379A	C32357	C32257	58979
	Tarnish-Free Brass	C11988ATF	C21379ATF	C32357TF	C32257TF	58979TF
OVERALL LENGTH (mm)		8 ⁵ / ₈ " (219)	14 ¹ / ₁₆ " (357)	19 ¹ / ₄ " (489)	20 ⁵ / ₈ " (524)	37 ⁵ / ₁₆ " (948)
DRIP PAN LENGTH (mm)		7 ⁷ / ₁₆ " (179)	12 ⁷ / ₈ " (327)	18 ³ / ₁₆ " (462)	19 ⁷ / ₁₆ " (494)	36 ¹ / ₈ " (918)
OVERALL WIDTH (mm)		7 ⁵ / ₈ " (194)	7 ⁵ / ₈ " (194)	5 ¹ / ₈ " (130)	7 ⁵ / ₈ " (194)	5 ¹ / ₈ " (130)
DRIP PAN WIDTH (mm)		6 ⁷ / ₁₆ " (164)	6 ⁷ / ₁₆ " (164)	4" (102)	6 ⁷ / ₁₆ " (164)	3 ⁷ / ₈ " (98)
DRIP PAN and GLASS RACK	No. 4 finish, type 302 stainless steel or tarnish-free brass.					
PLUMBING	Equipped with ⁹ / ₁₆ " I.D. waste drain and universal drain tubes. Use with ¹ / ₂ " N.P.T. pipe fittings or 1390D ¹ / ₂ " I.D. flexible drain tube.					

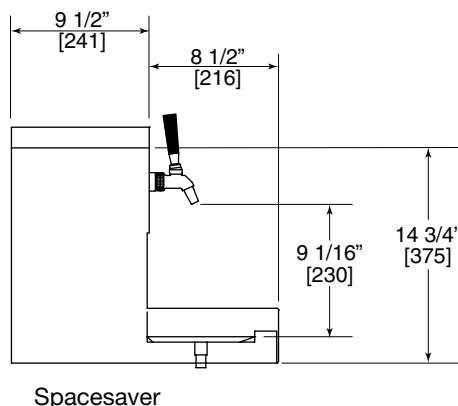
CUTOUT

MODEL NOS.	Stainless Steel	62303SS		
	Tarnish-Free Brass	62302	62303	62304
DIMENSIONS "A" (mm)		16" (406)	19 ¹ / ₁₆ " (500)	19 ¹ / ₁₆ " (500)
DIMENSIONS "B" (mm)		8 ⁷ / ₈ " (225)	9 ⁷ / ₈ " (251)	9 ⁷ / ₈ " (251)
DIMENSIONS "C" (mm)		5 ⁷ / ₈ " (149)	8 ⁹ / ₁₆ " (217)	10 ¹ / ₄ " (260)
DRIP PAN and GLASS RACK	Brass or stainless steel. Stainless steel glass rack.			
PLUMBING	Chrome plated brass drain and ³ / ₈ " elbow hose coupling.			



SPACESAVER DRIP PANS

MODEL NOS.	Stainless Steel	3713-1	3721-1
LENGTH (mm)		12 ⁷ / ₈ " (327)	21 ¹ / ₈ " (537)
DEPTH (mm)		8 ⁷ / ₈ " (225)	8 ⁷ / ₈ " (225)
HEIGHT (mm)		14 ³ / ₄ " (375)	14 ³ / ₄ " (375)
DRIP PAN and GLASS RACK	Stainless steel.		
PLUMBING	Equipped with ⁹ / ₁₆ " I.D.-waste drain and universal drain tubes. Use with ¹ / ₂ " N.P.T. pipe fittings or 1390D ¹ / ₂ " I.D. flexible drain tube.		



8300 West Good Hope Road • Milwaukee, WI 53223 • Phone 414-353-7060 • Fax 414-353-7069
 Toll Free 800-558-5592 • E-Mail: Perlick@Perlick.com • www.Perlick.com

Sizes and Specifications Compatible Heads and Drip Pans

NOTE: This is a sizing guide. Please make sure you match the finish for both the Tower and Drainer when ordering.

	TOP MOUNTED										RECESSED				CUTOUT				SPACE SAVER	SEXY LUCKY PANTHER	CUSTOM							
	5015	5020	5025	5028	5030	C18635A	C18640A	C18645A	C18650A	C18655	C18660	57120	C11988A	C21379A	C32357	C32257	58979	62302	62303	62304	66596	3713-1	3721-1	43839SS	43840SS	Contact Perlick		
WINGED TOWERS & ILLUMINATED																												
1 FAUCET (66500-1B)	■					■							■															
2 FAUCET (66500-2B)		■					■							■														
3 FAUCET (66500-3B)		■					■							■														
WINGED TEE-TOWERS & ILLUMINATED																												
4 FAUCET (66500-4B)		■					■							■														
5 FAUCET (66500-5B)			■					■							■													
6 FAUCET (66500-6B)			■					■							■													
8 FAUCET (66500-S8B)				■					■																			
WINGED BRIDGE TOWERS & ILLUMINATED																												
8 FAUCET (66500-8B)					■					■							■											
10 FAUCET (66500-10B)					■					■							■											
12 FAUCET (66500-12B)					■					■							■											
SEXY TOWERS ILLUMINATED ONLY																												
3 FAUCET (4045-3BIM) GLYCOL		■				■							■													■		
3 FAUCET (4045GD-3BIM) GLYCOL		■				■							■													■		
3 FAUCET (4046-3BIM) ICED																										■		
LUCKY TOWERS																												
1 FAUCET (4041-1B)	■					■							■													■		
2 FAUCET (4041-2B)		■				■							■													■		
3 FAUCET (4041-3B)		■				■							■													■		
1 FAUCET (4042-1B) ICED																										■		
2 FAUCET (4042-2B) ICED																										■		
3 FAUCET (4042-3B) ICED																										■		
PANTHER TOWERS																												
3 FAUCET (4043-3B)		■											■													■		
4 FAUCET (4043-4B)		■											■													■		
3 FAUCET (4044-3B) ICED																										■		
4 FAUCET (4044-4B) ICED																										■		
SEVEN TOWERS & ILLUMINATED																												
4 FAUCET (4007-4B)			■				■									■												
5 FAUCET (4007-5B)			■				■									■												
6 FAUCET (4007-6B)			■				■									■												
PIPE TOWERS																												
6 FAUCET (4008-6B)				■				■																				
8 FAUCET (4008-8B)				■				■																				
10 FAUCET (4009-10B)					■				■																			
12 FAUCET (4009-12B)					■					■																		
TEE TOWERS																												
2 FAUCET (4006-2B)		■					■							■														
3 FAUCET (4006-3B)		■					■							■														
4 FAUCET (4006-4B)		■					■							■														
5 FAUCET (4006-5B)			■					■							■	■												
6 FAUCET (4006-6B)			■					■							■	■												
7 FAUCET (4006-7B)				■					■						■	■												
8 FAUCET (4006S8B)				■					■						■	■												



8300 West Good Hope Road • Milwaukee, WI 53223 • Phone 414-353-7060 • Fax 414-353-7069
 Toll Free 800-558-5592 • E-Mail: Perlick@Perlick.com • www.Perlick.com

Sizes and Specifications Compatible Heads and Drip Pans

NOTE: This is a sizing guide. Please make sure you match the finish for both the Tower and Drainer when ordering.

	TOP MOUNTED										RECESSED				CUTOUT				SPACE SAVER	SEXY LUCKY PANTHER	CUSTOM							
	5015	5020	5025	5028	5030	C-18635A	C-18640A	C-18645A	C-18650A	C-18655	C-18660	57120	C11988A	C21379A	C32357	C32257	58979	62302	62303	62304	66596	3713-1	3721-1	43839SS	43840SS	Contact Perlick		
BRIDGE TEE TOWERS																												
8 FAUCET (4006-8B)					■						■						■											
10 FAUCET (4006-10B)					■					■							■											
12 FAUCET (4006-12B)					■					■							■											
16 FAUCET (4006-16B)																												■
20 FAUCET (4006-20B)																												■
GAMBRINUS TOWERS																												
3 FAUCET (4005-3B)		■				■					■		■						■									
4 FAUCET (4005-4B)		■					■				■		■						■									
5 FAUCET (4005-5B)							■				■			■					■									
6 FAUCET (4005-6B)																			■									
3/3 FAUCET (4005D3B)		■				■													■									
4/4 FAUCET (4005D4B)		■					■												■									
ROMA TOWERS																												
3 FAUCET (4056BK3B)											■								■									
4 FAUCET (4056BK4B)											■								■									
5 FAUCET (4056BK5B)											■								■									
NAPOLI TOWERS																												
2 FAUCET (4053PC2B)		■					■						■															
TORINO - COLLAR TOWERS																												
1 FAUCET (4054WH1B)	■					■					■								■									
2 FAUCET (4054WH2B)											■								■									
3 FAUCET (4054WH3B)											■								■									
TORINO - BEAM TOWERS																												
3 FAUCET (4055WH3B)		■					■						■						■									
4 FAUCET (4055WH4B)		■					■						■						■									
5 FAUCET (4055WH5B)			■					■							■	■			■									
6 FAUCET (4055WH6B)			■					■							■	■			■									
7 FAUCET (4055WH7B)				■					■						■	■			■									
3" OD DRAFT ARMS																												
1 FAUCET (4010)	■					■						■																
2 FAUCET (4016)		■					■						■															
3 FAUCET (4026)		■					■						■															
4" OD DRAFT ARMS																												
3 FAUCET (4028)																						■						
4 FAUCET (4029)																						■						
13" SPACE SAVER DISPENSING HEADS																												
2 FAUCET (4040A2B)																						■						
3 FAUCET (4040A3B)																						■						
4 FAUCET (4040A4B)																						■						



8300 West Good Hope Road • Milwaukee, WI 53223 • Phone 414-353-7060 • Fax 414-353-7069
 Toll Free 800-558-5592 • E-Mail: Perlick@Perlick.com • www.Perlick.com

Sizes and Specifications Compatible Heads and Drip Pans

NOTE: This is a sizing guide. Please make sure you match the finish for both the Tower and Drainer when ordering.

	TOP MOUNTED										RECESSED				CUTOUT			SPACE SAVER		SEXY LUCKY PANTHER		CUSTOM						
	5015	5020	5025	5028	5030	C18635A	C18640A	C18645A	C18650A	C18655	C18660	57120	C11988A	C21379A	C32357	C32257	58979	62302	62303	62304	66596	3713-1	3721-1	43839SS	43840SS	Contact Perlick		
21" SPACE SAVER DISPENSING HEADS																												
2 FAUCET (4060A2B)																												
3 FAUCET (4060A3B)																												
4 FAUCET (4060A4B)																												
5 FAUCET (4060A5B)																												
6 FAUCET (4060A6B)																												
7 FAUCET (4060A7B)																												

Notes



8300 West Good Hope Road • Milwaukee, WI 53223 • Phone 414-353-7060 • Fax 414-353-7069
Toll Free 800-558-5592 • E-Mail: Perlick@Perlick.com • www.Perlick.com

Notes



8300 West Good Hope Road • Milwaukee, WI 53223 • Phone 414-353-7060 • Fax 414-353-7069
Toll Free 800-558-5592 • E-Mail: Perlick@Perlick.com • www.Perlick.com

Perlick is committed to continuous improvement. Therefore, we reserve the right to change specifications without prior notice.

Notes



8300 West Good Hope Road • Milwaukee, WI 53223 • Phone 414-353-7060 • Fax 414-353-7069
Toll Free 800-558-5592 • E-Mail: Perlick@Perlick.com • www.Perlick.com

Perlick is committed to continuous improvement. Therefore, we reserve the right to change specifications without prior notice.

Notes



8300 West Good Hope Road • Milwaukee, WI 53223 • Phone 414-353-7060 • Fax 414-353-7069
Toll Free 800-558-5592 • E-Mail: Perlick@Perlick.com • www.Perlick.com