

The New Panther Tri Faucet Dispensing Head



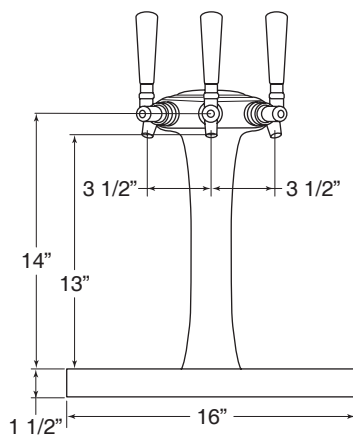
Perlick
CORPORATION

The New Panther Tri Faucet...

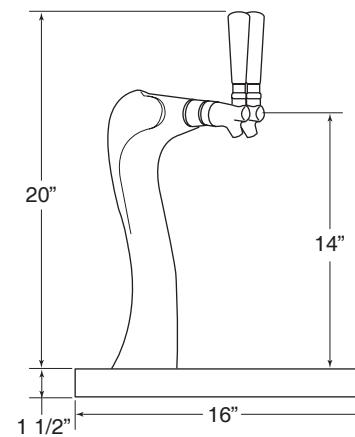
Specifications: Panther Tri Faucet Tower

MODEL NOS.	4043-3B	4043GD-3B	4044-3B
TYPE	Standard	Standard	Iced*
FINISH	Chrome	Gold	Chrome
ACCESSORIES	DRIP PANS: 43839SS Stainless Steel (16" x 16") 43839G Gold (16" x 16") 43840SS Stainless Steel (16" x 24") 43840G Gold (16" x 24")		

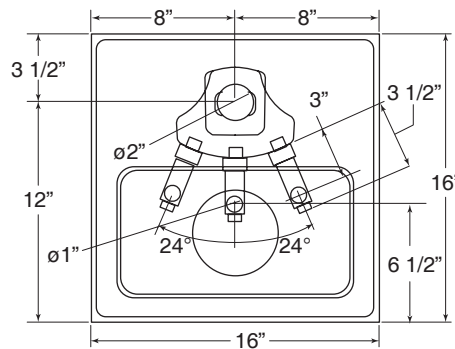
NOTE* To build a layer of ice on the exterior of the tower, an additional power pak is required. Locate as close to the tower as possible.



Front View



Side View



Top View



8300 W. Good Hope Road • Milwaukee, WI 53223 • Phone: 414-353-7060 • Toll-Free: 800-558-5592
 Fax: 414-353-7069 • E-Mail: Perlick@Perlick.com • www.Perlick.com